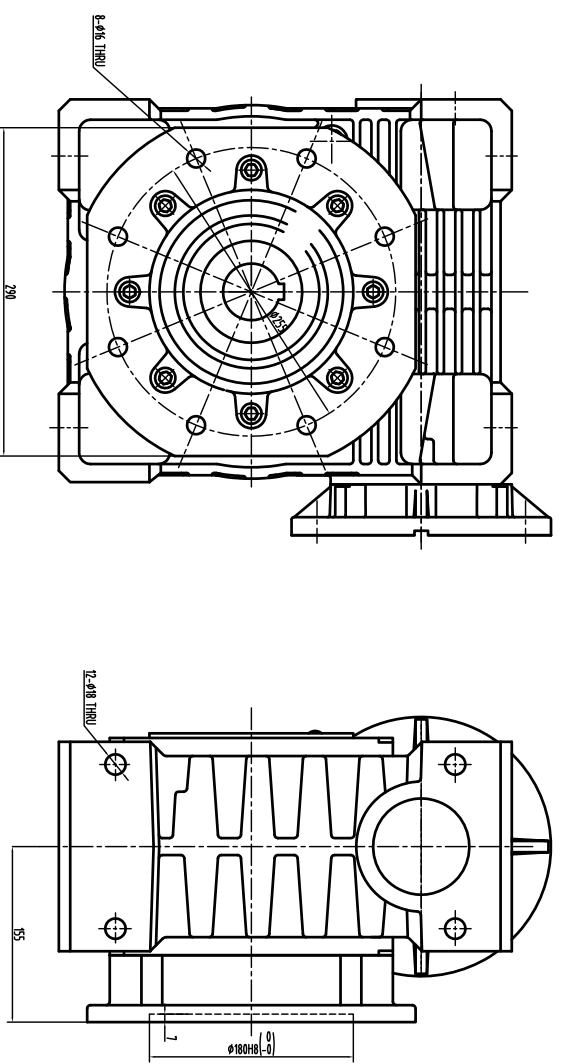
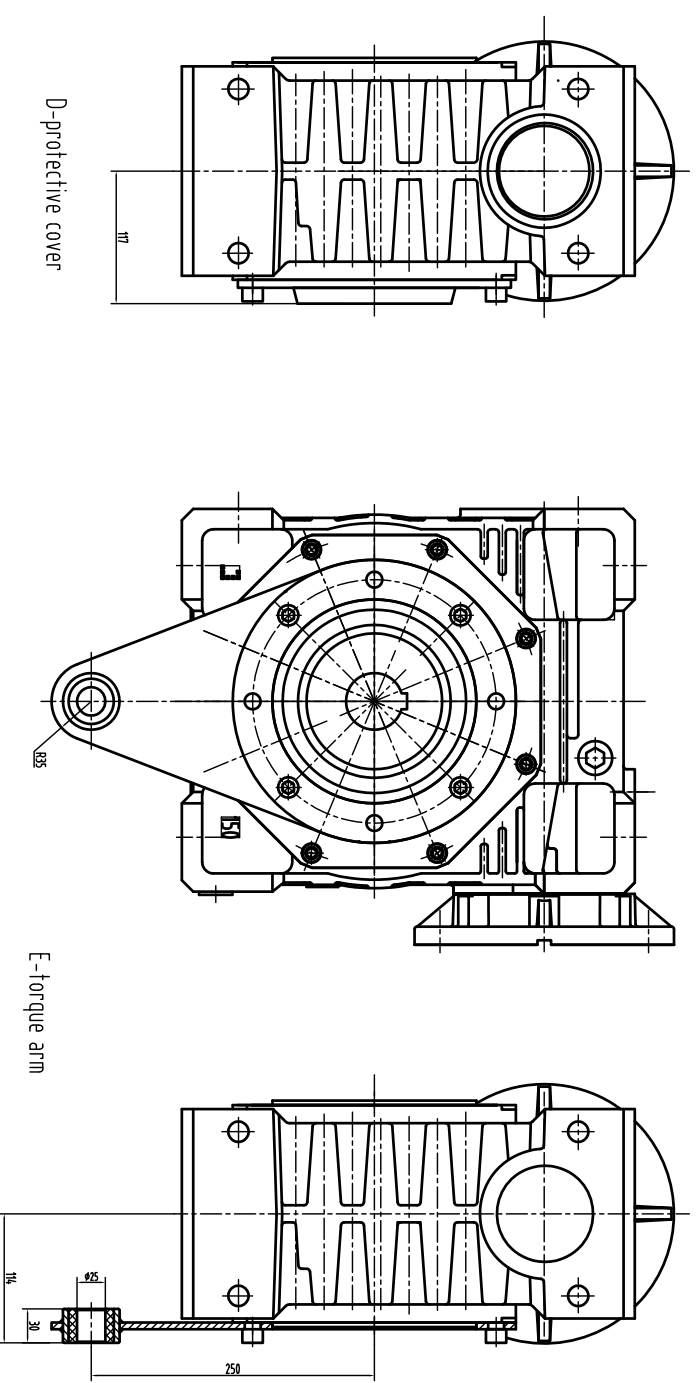
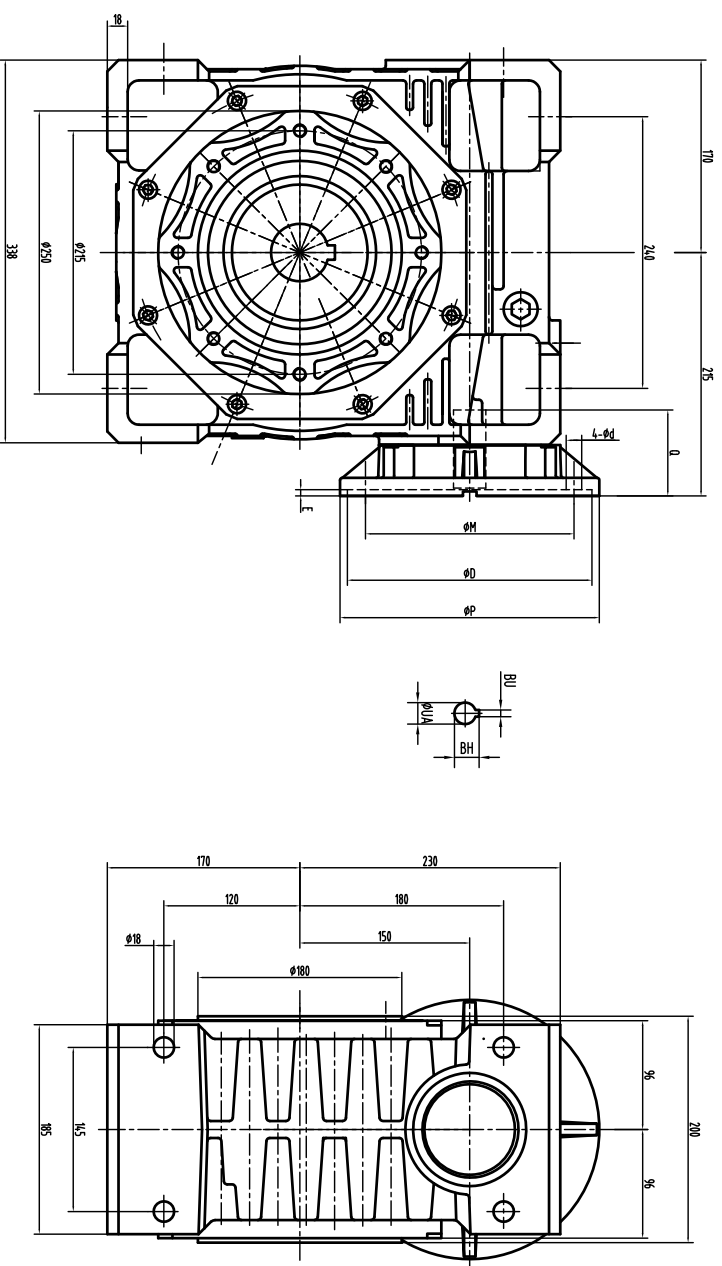
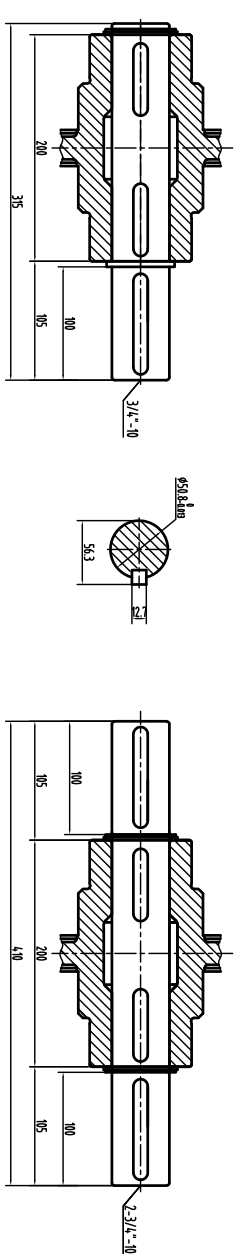


Motor flange mounting dimensions

Motor flange	Dim	D	M	P	d	BH	BU	E	Q	The hole diameter of shaft UA										
										Ratio i										
180TC	215.9	184.2	229	14	31.5	6.35	6	76	-	7.5	10	15	20	25	30	40	50	60	80	100
										-	-	-	-	-	28.58	-	-	-	-	-
210TC	215.9	184.2	229	14	38.6	7.95	6	89	-	34.93	-	-	-	-	-	-	-	-	-	-

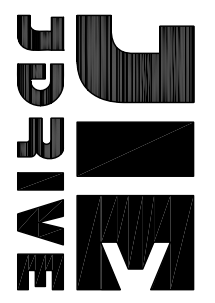
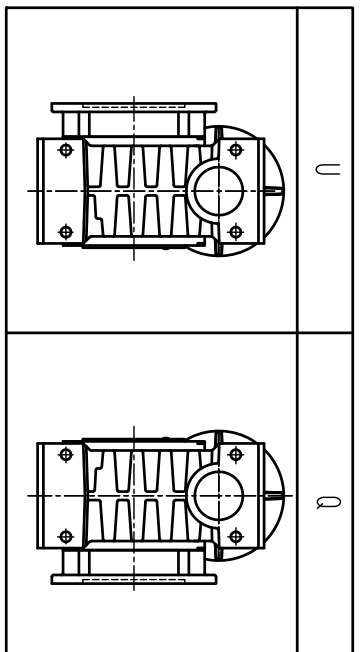


Output flange mounting dimensions



A-single output shaft

B-double output shaft



Worm Gear