

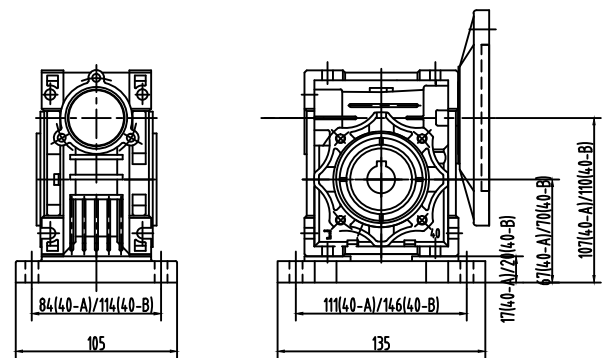
JRSTD Mounting Dimensions

Motor flange mounting dimensions

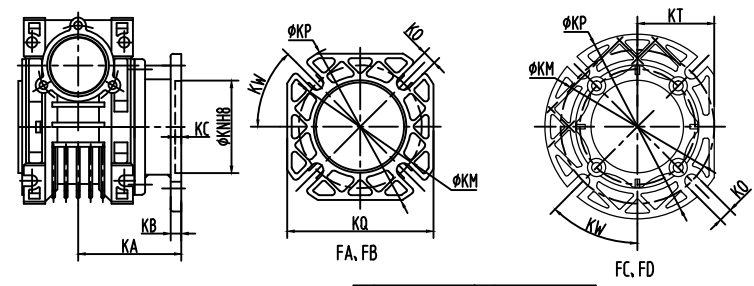
| Dim | D | M | P | d | BH | BU | E | Q | The hole diameter of shaft UA | | | | | | | | | | |
|--------------|-----|-----|-----|---|------|----|---|----|-------------------------------|----|----|----|----|----|----|----|----|----|-----|
| | | | | | | | | | Ratio i | | | | | | | | | | |
| Motor flange | | | | | | | | | 7.5 | 10 | 15 | 20 | 25 | 30 | 40 | 50 | 60 | 80 | 100 |
| 7185 | 110 | 130 | 160 | 9 | 16.3 | 5 | 5 | 30 | 14 | | | | | | | | | | |
| 71814 | 70 | 85 | 105 | 7 | | | | | | | | | | | | | | | |
| 6385 | 95 | 115 | 140 | 9 | 12.8 | 4 | 5 | 25 | 11 | | | | | | | | | | |
| 63814 | 60 | 75 | 90 | 6 | | | | | | | | | | | | | | | |
| 5685 | 80 | 100 | 120 | 7 | 10.4 | 3 | 4 | 18 | 9 | | | | | | | | | | |

Output flange mounting dimensions

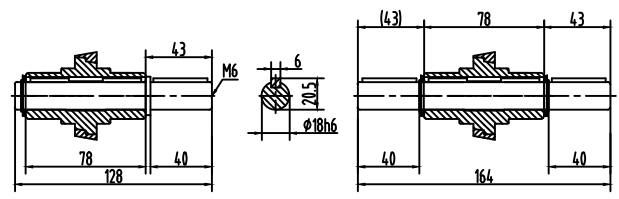
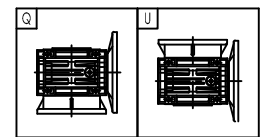
| Dim | KA | KB | KC | KN | KM | KO | KP | KQ | KT | KW |
|-----|----|----|----|----|-----|-----|-----|----|----|-----|
| FA | 67 | 7 | 4 | 60 | 80 | 9 | 110 | 95 | - | 45° |
| FB | 97 | 7 | 4 | 60 | 80 | 9 | 110 | 95 | - | 45° |
| FC | 80 | 9 | 5 | 95 | 115 | 9.5 | 140 | - | 56 | 45° |
| FD | 58 | 13 | 5 | 80 | 100 | 9 | 120 | - | 50 | 45° |



Base plate

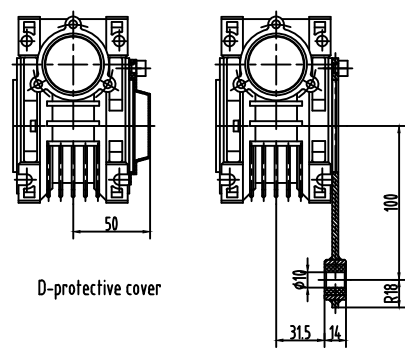


Output flange mounting dimensions



A-single output shaft

B-doubl output shaft



D-protective cover

E-torque arm



Worm Gear