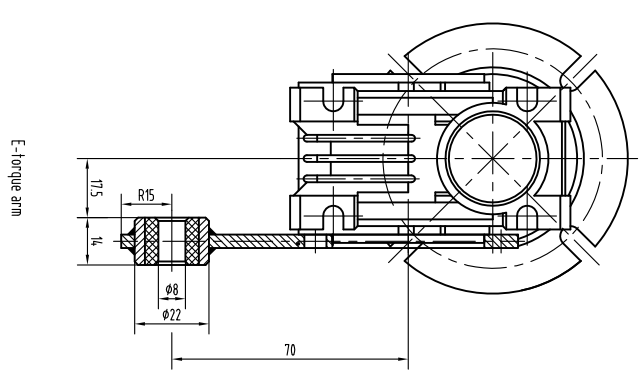
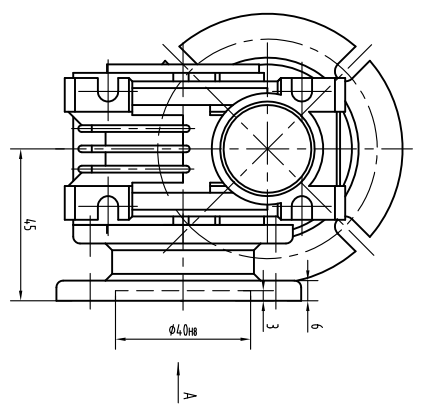


Motor flange mounting dimensions

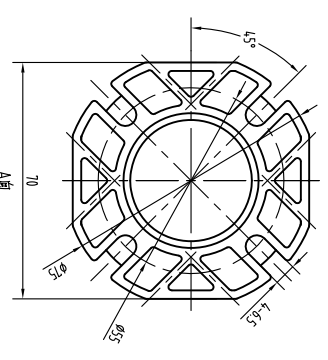
Dim	Motor flange	D	M	P	d	BH	BU	E	Q	The hole diameter of shaft UA												
										7.5	10	15	20	25	30	40	50	60	80	100		
56B14	50	65	80	6	10.4	3	3.5	20		9												



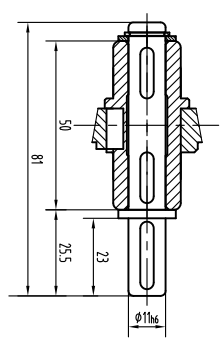
E-torque arm



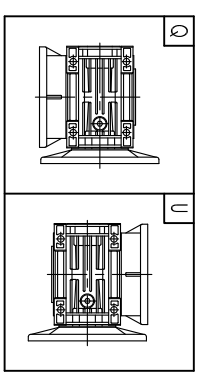
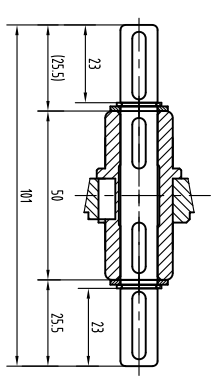
Output flange mounting dimensions



A-single output shaft



B-double output shaft



Worm Gear