



杰牌官方网站  
JIE Website



杰牌官方微信  
JIE Wechat



工业齿轮箱选型手册



杰牌传动  
JIE DRIVE



JRH 工业齿轮箱  
JRH Industrial Gear Units

杰牌始创于1988年,坚持100年做好一台减速机,匠心打造齿轮行业百年企业。  
杰牌减速机+电动机+变频器+传感器+物联网等智能传动方案,服务全球市场,杰牌为全球好客户做好产品。  
杰牌坚持“专业化、智能化、全球化”发展规划,致力于智能工厂、智能产品、智能服务、智能体验、智能人才等工业4.0技术的创新与应用。  
杰牌智能传动方案提供商!

Established in 1988, JIE has been insisting on manufacturing a great reducer in 100 years, aiming to build a century-old enterprise with its craftsmanship.  
JIE serves global market with intelligent drive solutions incl. gear units, motors, inverters, sensors and Internet of Things. JIE is committed to providing great products for great partners across the world.  
With the core strategy of "Specialization, Intelligence and Globalization", JIE is dedicated to the innovation and application of industry 4.0 technologies incl. intelligent plants, intelligent products, intelligent services, intelligent experiences, intelligent talents, etc.  
JIE, a provider of Intelligent Drive Solutions!



杭州杰牌传动科技有限公司  
HANG ZHOU JIE DRIVE TECHNOLOGY CO.,LTD.

地址 Add: 中国杭州萧山·杭州空港经济区·杰牌路1号 邮编: 311223  
No.1, JIE Road, Hangzhou Airport Economic Zone, Xiaoshan,  
311223, Hangzhou, P.R. China

热线 Tel: +86 571 8299 1111 400 114 1111

总机 Call Center: +86 571 8299 2222

传真 Fax: +86 571 8299 3333

邮箱 E mail: jie@jie.com.cn

网址 Web: www.jie.com.cn www.jiedrive.com

JIE USA, INC.

Add : 493 Mission St. Carol Stream IL 60188 USA

Tel : +1 630 580 9986

E-mail: info@jie-drives.com

Web : www.jie-drives.com

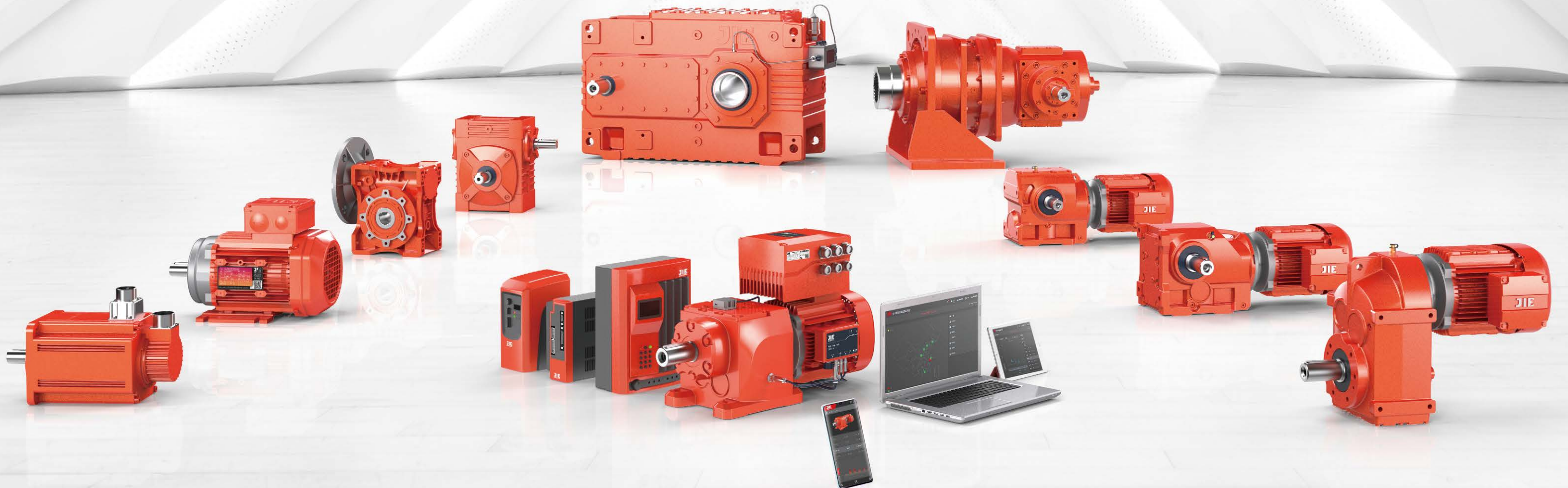
版权声明: 本画册及产品目录中的所有产品和图片, 包括但不限于产品设计、外观、材料、颜色、包装、图案、数据、技术规范等, 均已申请并  
获得版权或注册相关知识产权, 受相关法律法规的保护。杰牌享有本画册和产品目录及其所附内容、信息的知识产权。未经许可, 不得复制或以任何方式使用。  
Legal Notices: JIE obtained the authorization or relevant intellectual property against all the products or photos in this catalogue including but not limited to the design, appearance,  
material, color, packing, drawing, data, technical specification, etc. and is protected by relevant laws and regulations. If without permission, it is forbidden to copy, plagiarize or use for other purpose.

因专业 而杰出  
Excellence From Expertise



# 杰牌智能传动方案提供商

## JIE INTELLIGENT DRIVE SOLUTIONS PROVIDER



# 目 录

P6-7	一. 选型步骤
P8	二. 产品图片
P9-12	三. 产品说明
P13	四. 型号说明
P14-23	五. 选型说明
P24-37	六. 技术参数
P38-105	七. 产品尺寸
P106-107	八. 产品传动比
P108	九. 布置形式
P109-117	十. 润滑方式
P118	十一. 防爆保护
P119	十二. 产品附件
P121-128	杰牌传动产品目录

# CONTENTS

P6-7	Selection Guide
P8	Product Pictures
P9-12	Product Description
P13	Model Description
P14-23	Selection Description
P24-37	Technical Specifications
P38-105	Product Dimension
P106-107	Product Ratio
P108	Product Layout Form
P109-117	Lubrication
P118	Explosion Protection
P119	Product Accessories
P121-128	JIE Drive Product Catalogue





**JIE**  
**JD RIVE**

旭  
日  
东  
升  
生  
机  
盎  
然  
万  
物  
之  
灵  
天  
地  
之  
杰





# 一. 选型步骤 Selection Guide



1

### 选择杰牌传动产品

例: JRHH平行轴齿轮箱、JRHB直交轴齿轮箱等信息。

### Select JIE Drive product

Example: Pick the right model JRHH parallel shaft gear units, JRHB bevel helical gear units.

2

### 输入现用产品品牌

例: 杰牌传动、欧美日品牌、中国品牌等信息。

### Enter current product brand

Example: JIE Drive or competitors.

3

### 输入现用产品参数

例: JRH工业齿轮箱, 规格3~28, 传动比1.25~450, 输入功率4.3~10515kW, 输出扭矩2300~1400000Nm等型号规格信息。

### Enter current product specifications

Example: JRH industrial gear units, size 3~28, ratio 1.25~450, input power 4.3~10515kW, output torque 2300~1400000Nm and other specifications.

4

### 生成杰牌产品型号规格

例: JRHH3SH8-50-B-00, JRHB3SH8-50-B-00, JRHH3HH8-50-A-00, JRHB3HH8-50-B-00等型号规格信息。

### Generate JIE Drive model and specifications

Example: JRHH3SH9-31.5-A-01-79-82, JRHB4SH9-140-A-00 and other models.

5

### 生成杰牌产品2D/3D图

例: JRHH3SH8-50-B-00, JRHB3SH8-50-B-00, JRHH3HH8-50-A-00, JRHB3HH8-50-B-00等产品2D/3D图信息。

### Generate 2D/3D drawings of JIE Drive products

Example: 2D/3D drawings of JRHH3SH8-50-B-00, JRHB3SH8-50-B-00, JRHH3HH8-50-A-00, JRHB3HH8-50-B-00 and other models.

6

### 确认技术质量标准

例: 技术标准按杰牌相关标准和双方协议约定的标准执行, 质保期自发货之日起18个月或实际使用之日起12个月, 以先到为准等信息确认。

### Confirm the technical quality standard

Example: The technical and quality standards shall be implemented according to the relevant standards of JIE Drive and the standards agreed by both parties. The warranty period shall be 12 months after start using products or 18 months after shipment from JIE whichever comes earlier.

7

### 确认交期服务标准

例: 首次合作按双方协议约定时间交货; 提供1+3滚动计划时2周交货, 包括总用量、年用量、月用量、批用量、试用量; 售前服务、售中服务、售后服务和预单管理等信息确认。

### Confirm delivery standard

Example: Delivery shall be made according to the time agreed by both parties for the first cooperation; 2 weeks lead time base on 1+3 rolling plan, including total usage, annual usage, monthly usage, batch usage and sample; confirmation of pre-sales service, in-sales service, after-sales service and pre-order management.

8

### 确认结算价格标准

例: 30%定金款到后订单生效, 余款款到后发货; 价格按双方协议约定的价格执行等信息确认。

### Confirm the settlement price standard

Example: The order comes into effective after 30% deposition received and products will be delivered after balance payment; price shall be subject to agreed upon both parties.

9

### 确认产品订单信息

例: 产品名称、型号规格、技术参数、订单数量、包装形式、运输方式、下单时间、交付时间、交付地点、收货单位等信息确认。

### Confirm order information

Example: Confirm product type, model, specification, order quantity, packaging, transportation, P.O issue time, delivery time, delivery location, receiving company and other order information.

10

### 确认产品交付信息

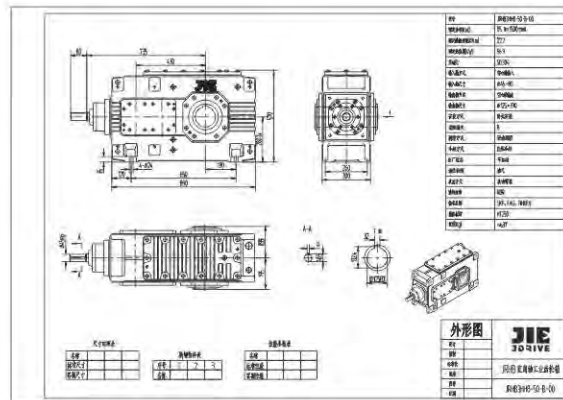
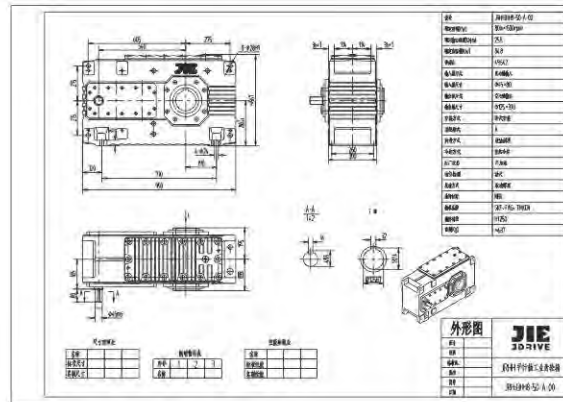
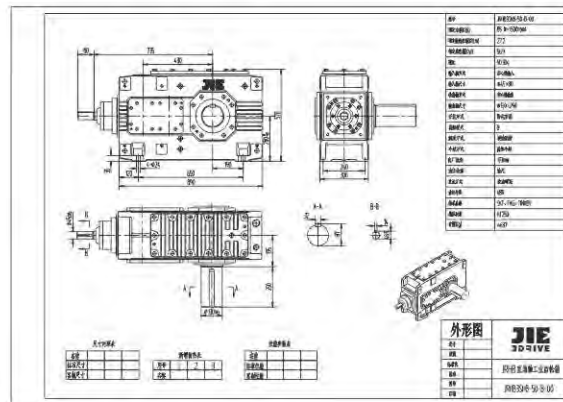
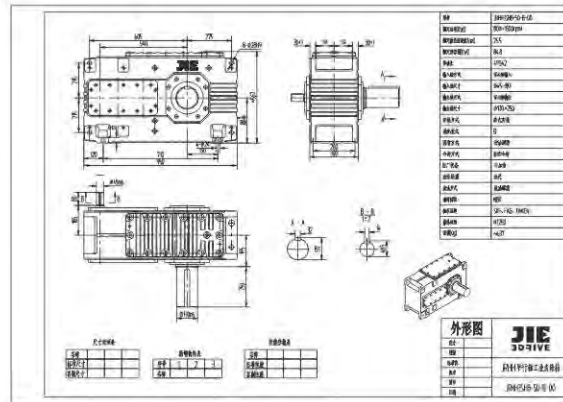
例: 样机订单交付、小批订单交付、批量订单交付等信息确认。

### Confirm product delivery information

Example: Confirm prototype delivery, small batch delivery, batch delivery and other delivery information.



## 5. 生成杰牌产品2D/3D图 Generate 2D/3D drawing of JIE products





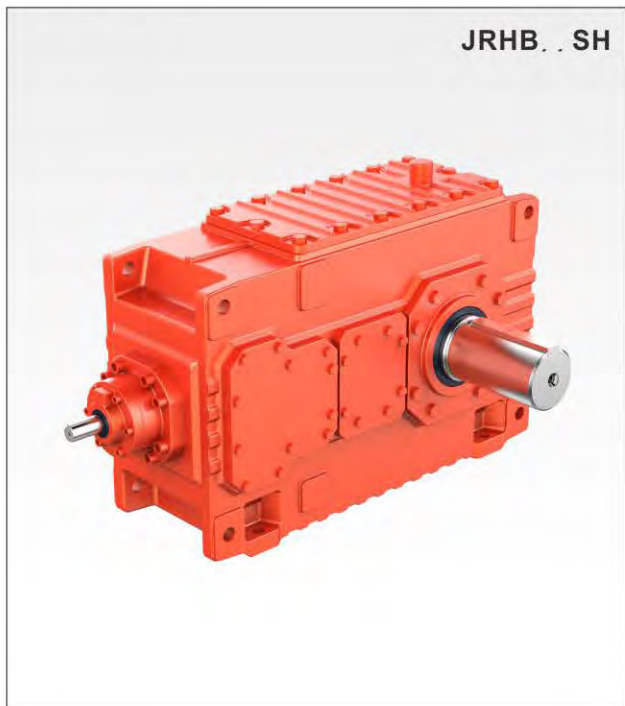
## 二. 产品图片 Product Pictures



JRHH...SH



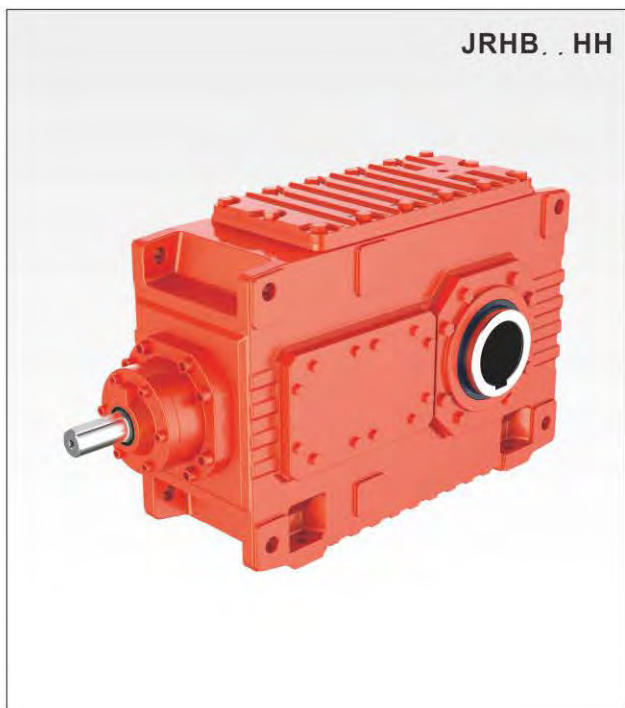
JRHB...SH



JRHH...HH



JRHB...HH





### 三. 产品说明

## Product Description

杰牌JRH工业齿轮箱，拥有自主知识产权，产品具有长寿命、低噪音、不漏油、轻量化和智能化等亮点，包括JRHH平行轴齿轮箱、JRHB直交轴齿轮箱等全系列产品。

杰牌JRH工业齿轮箱，通过完整产品策划与设计 and 全价值链精益生产最优方案实施，推进精益生产、建设智能工厂，实现研产供销服一体化，以满足客户对快速响应的需求。

杰牌JRH工业齿轮箱，遵循模块化和最优化设计理念，全系列产品包括单实心轴输入、双实心轴输入、IEC电机法兰输入，单实心轴输出、双实心轴输出、空心轴输出、带胀紧盘空心轴输出，卧式安装、立式安装、扭矩臂安装等多种输入接口、输出模块和安装型式，同时支持多级减速机和不同型号规格减速机的模块化组合与集成，并可根据客户需要进行个性化的设计与制造。

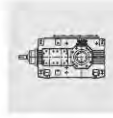
杰牌为全球好客户做好产品！

JRH industrial gear units has a long service life, low noise, no oil leakage, lightweight and able to attach intelligent monitoring systems to perform preventive maintenance. The range includes JRHH parallel shaft gear units, JRHB bevel helical gear units and other customer specific types of gear units.

JRH industrial gear units promotes lean production, builds intelligent factories, and realizes the integration of research, production, supply, marketing and service, so as to meet customers' demand for rapid response through complete product planning and design such as "core product-extreme technology, peripheral product-extreme service, external product-extreme experience" and the implementation of the optimal plan of lean production in the whole value chain such as "product planning, design validation, processing test, assembly test, warehouse logistics, sales service, information system, HR, operation plan, strategy planning".

JRH industrial gear units has a modular and optimized design. The whole-series product comprises single solid shaft input, double solid shaft input, IEC motor input, single solid shaft output, double solid shaft output, hollow shaft output, hollow shaft with shrink disc output, horizontal installation, vertical installation, torque arm installation, and other input interfaces, output modules and installation types. This product supports the modular combination and integration of multi-stage gearbox with different types adapters. And available for customized base on customer requirement.

JIE Drive provides great products to great partners across the world!





## 1. 产品性能特点 Product Characteristics

### 设计

JRH工业齿轮箱采用全新设计，其独特的创新之处在于：

- 零部件种类减少，而规格型号增加；
- 运转可靠性提高，传动功率增大；
- 可采用性能卓越的非接触耐磨迷宫式密封；
- 可提供法兰盘式输出轴，使齿轮箱满足在狭小空间的安装要求（根据用户要求供货）。

如果用户提出要求，也可采用其它安装形式。

IEC电机法兰、齿轮箱浮动底座和扭矩臂装置均为产品的标准配置。

### 齿轮箱噪音特性

采用最新设计思想，通过以下途径改善齿轮箱噪音特性；

- 锥齿轮磨削工艺；
- 利用计算机程序，设计吸收噪音的箱体结构；
- 采用特大的齿面接触比。

### 齿轮箱散热

JRH工业齿轮箱不仅具有很高的传动效率，而且具有良好的散热性能，主要通过以下方案；

- 增大箱体的表面积；
- 可采用非接触迷宫式密封装置；
- 采用大风扇及新型导流风扇罩；
- 根据较低的最大允许油温设计杰牌齿轮箱。

### Design

JIE parallel shaft and right angle gear housing adapt new design, the distinctive innovation is:

- Less parts type, more specification and models
- Higher reliability, bigger power rate
- Adapt outstanding non-contact anti-friction labyrinth type seal;
- Provide flange type output shaft, to match the installation requirement in the small space ( according the requirement of customer)

Provide other installation type according the requirement of customer.

Provide the standard specification of flange、housing swing base and torque arm.

### Noise identify

New design idea and improve the noise identify through following solution:

- Bevel gear grinding technics;
- MASAK computer software , to design the housing with the function of absorb the noise;
- Adapt the extra large engagement factor of gear;

### Housing thermolysis

JIE gear box have not only the high efficiency but also the good thermolysis performance:

- Increase the surface of housing;
- Non-contact labyrinth type seal ;
- Adapt the big fan and new fan cover with flow deflector;
- According the lower and maximum allowable oil temperature to select the JIE gear box to increase the reliability by long oil exchanging period and reduce the maintenance cost.

## 2. 一般说明 General Information



### 注意事项

- 样本中的附图只属范例，并不具有约束力。杰牌保留变更尺寸的权利。
- 所注重量仅为平均值，并不具有约束力。
- 为防止意外事故发生，所有旋转部件均应按照使用者所在国家和地区的安全规范由购置方加罩保护。
- 试车之前必须认真阅读操作说明。齿轮箱在供货时已处于准运行状态，运行前需加注润滑油。
- 样本中所示注油量只作为参考值，实际注油量应以油尺上的标记为准。
- 润滑油粘度应符合齿轮箱铭牌上的数据。
- 齿轮箱在供货时已配置了径向轴封。如果需要其他类型的轴封请咨询杰牌。
- 转动方向是指面向输出轴时输出轴 $d_2$ 的转动方向。

在尺寸图上所使用的符号说明如下：

-  =油尺
-  =通气孔
-  =放油孔
-  =加油孔

### Attention

- Illustrations are examples only and not strictly binding. Dimensions are subject to change.
- The weights are mean values and not strictly binding.
- To prevent accidents, all rotating parts should be guarded according to local and national safety regulations.
- Prior to commissioning, the operating instructions must be observed. The gear units are delivered ready for operation but without oil filling.
- Oil quantities given are guide values only. The exact quantity of oil depends on the marks on the oil dipstick.
- The oil viscosity has to correspond to the data given on the name plate.
- The gear units are supplied with radial shaft seals. Other sealing variants on request.
- Directions of rotation referring to output shaft  $d_2$ .

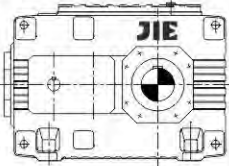
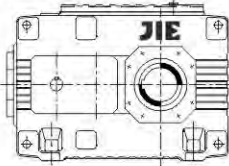
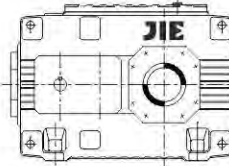
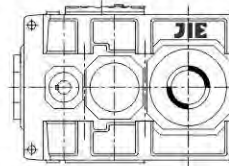
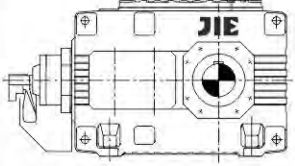
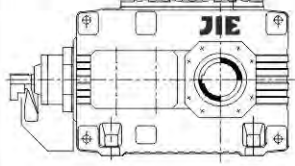
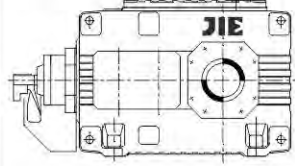
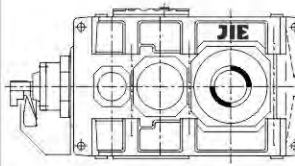
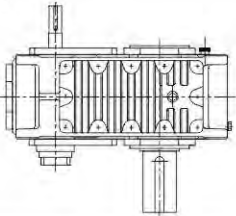
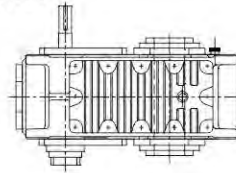
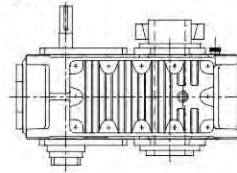
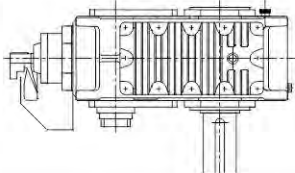
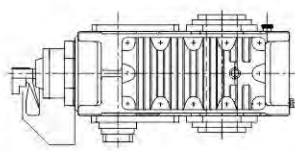
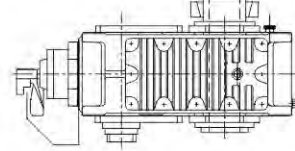
Explanation of symbols used in the dimensioned drawings

-  =Oil dipstick
-  =Breather
-  =Oil drain
-  =Oil filler



### 3. 安装类型概述

#### Summary of Basic Types

<b>卧式安装</b>		<b>Horizontal mounting position</b>	
平行轴齿轮箱 类型 JRHH1...,JRHH2...,JRHH3...,JRHH4.. 1-4级, $i_n=1.25-450$		Helical gear units Type JRHH1...,JRHH2...,JRHH3...,JRHH4.. 1-4stage, $i_n=1.25-450$	
<b>JRHH.SH</b> 	<b>JRHH.HH</b> 	<b>JRHH.DH</b> 	<b>JRHH.HM, JRHH.DM</b> 
直交轴齿轮箱 类型 JRHB2...,JRHB3...,JRHB4.. 2-4级, $i_n=5-400$		Bevel-helical gear units Type JRHB2...,JRHB3...,JRHB4.. 2-4stage, $i_n=5-400$	
<b>JRHB.SH</b> 	<b>JRHB.HH</b> 	<b>JRHB.DH</b> 	<b>JRHB.HM, JRHB.DM</b> 
<b>立式安装</b>		<b>Vertical mounting position</b>	
平行轴齿轮箱 类型 JRHH2.V, JRHH3.V, JRHH4.V 2-4级, $i_n=6.3-450$		Helical gear units Type JRHH2.V, JRHH3.V, JRHH4.V 2-4stage, $i_n=6.3-450$	
<b>JRHH.SV</b> 	<b>JRHH.HV</b> 	<b>JRHH.DV</b> 	
直交轴齿轮箱 类型 JRHB2.V, JRHB3.V, JRHB4.V 2-4级, $i_n=5-400$		Bevel-helical gear units Type JRHB2.V, JRHB3.V, JRHB4.V 2-4stage, $i_n=5-400$	
<b>JRHB.SV</b> 	<b>JRHB.HV</b> 	<b>JRHB.DV</b> 	

## 四. 型号说明 Model Description

<b>J</b>	<b>RH</b>	<b>H</b>	<b>3</b>	<b>S</b>	<b>H</b>	<b>8</b>	<b>-</b>	<b>50</b>	<b>-</b>	<b>A</b>	<b>-</b>	<b>00</b>
1	2	3	4	5	6	7	8	9	10			
<b>1 企业代码</b> J-杰牌传动	<b>2 产品代码</b> RH-工业齿轮箱	<b>3 类型</b> H-平行轴齿轮箱 B-直交轴齿轮箱	<b>4 传动级数</b> 1, 2, 3, 4	<b>5 输出轴形式</b> S-实心轴 H-空心轴 D-带胀紧套的空心轴 K-带花键的空心轴, 按照DIN5480(请咨询杰牌) F-法兰轴(请咨询杰牌) V=加强型实心轴d2(请咨询杰牌)	<b>6 安装方式</b> H-卧式安装 M-卧式安装, 不带地脚 V-立式安装	<b>7 规格</b> 3...28	<b>8 传动比</b> 见P106-107	<b>9 布置形式</b> 见P108	<b>10 产品附件</b> 见P119			
<b>1 Enterprise code</b> J-JIE Drive	<b>2 Product code</b> RH- industrial gear units	<b>3 Type</b> H- parallel shaft industrial gear units B- direct axle industrial gear units	<b>4 No.of stages</b> 1, 2, 3, 4	<b>5 Output shaft design</b> S-Solid shaft H-Hollow shaft D-Hollow shaft for shrink disk K-Hollow shaft with involute splines acc. To Din 5480(on request) F-Flanged shaft(on request) V-Shaft d2 reinforced(on request)	<b>6 Mounting</b> H-Horizontal M-Horizontal design Without feet V-Vertical	<b>7 Size</b> 3...28	<b>8 ratio</b> See pages 106-107	<b>9 Assemblies</b> See Page 108	<b>10 Add-on Pieces</b> See Page 119			

示例 JRHH3SH8-50-A-00

Example JRHH3SH8-50-A-00

杰牌JRH系列产品中平行轴齿轮箱, 3级传动, 8号箱, 实心轴输出, 卧式安装, 传动比为50, 布置形式为A种, 无附件。

JIE series products, helical gear units, 3-stage, size 8, solid output shaft design, horizontal mounting position, i=50, design A, no add-on pieces.





## 五. 选型说明

### Selection Description

#### 1. 杰牌传动JRH产品选型表

**使用工况:**

应用行业: \_\_\_\_\_ 设备名称: \_\_\_\_\_  
 环境温度: \_\_\_\_\_ 环境湿度: \_\_\_\_\_  
 海拔高度: \_\_\_\_\_ 使用场地: 室内 室外  
 起停频率: \_\_\_\_\_ 运行时间: \_\_\_\_\_  
 负载时间: 15% 25% 40% 60% 100%  
 现用品牌: \_\_\_\_\_ 现用型号: \_\_\_\_\_  
 存在问题: \_\_\_\_\_ 需改进项: \_\_\_\_\_

**产品信息:**

**包装标识类:**  
 包装材质: 木箱 木托(底座) 箱贴唛头: 中文 英文  
 相关资料: 合格证 出厂检验报告 中文说明书 英文说明书  
 附件清单: 扭矩臂 逆止器 无  
**外观标识类:**  
 油漆颜色: JMR-01 JMG-01 JGB-01 RAL2002 RAL5015 RAL9003 RAL7045 RAL7031  
 防腐等级: 标准 JS1 JS2 JS3 JS4  
 铭牌要求: 中文 英文  
**安装尺寸类:**  
 产品类型: JRHH JRHB  
 安装方式: 带底脚的卧式安装 不带底脚的卧式安装 立式安装  
 布置形式: A B C D E F G H I (见附图)  
 输出轴形式: 实心轴 单键空心轴 带锁紧盘空心轴  
 出轴旋向: 顺时针 逆时针 双向  
**性能指标类:**  
 工作机转速:  $n_2 = \underline{\quad}$  工作机轴功率 (kW):  $P = \underline{\quad}$  工作机扭矩 (Nm)  $T = \underline{\quad}$  使用系数:  $f = \underline{\quad}$   
 润滑方式: 飞溅润滑 补偿油箱浸油润滑 轴端泵强制润滑 电动泵强制润滑  
 冷却方式: 无 风扇 冷却盘管 风冷却器系统 板式水冷却器系统  
 入轴是否承受径向力: 是 否 径向力大小: \_\_\_\_\_  
 出轴是否承受径向力: 是 否 径向力大小: \_\_\_\_\_  
 出轴是否承受轴向力: 是 否 轴向力大小: \_\_\_\_\_

电机类型: 标准电机 变频电机 防爆电机 辊道电机 起重电机 伺服电机  
 电机极数: 2 4 6 8 电机功率:  $\underline{\quad}$  kW  
 额定电压: 220/380V 380/660V 电机基频: 50Hz 60Hz 87Hz  
 绝缘等级: F H 防护等级: IP54 IP55  
 工作制: S1 S3-40% 冷却方式: IC410 IC411 IC416  
 能效等级: 3级 (IE2) 2级 (IE3) 旋转方向: 顺时针 逆时针  
 制动电压: DC 24V AC 220V AC 380V  
 制动器响应: 普通 快速 释放装置: 手柄释放HR 螺钉释放HF 无  
 风机电压: DC 24V AC 220V (1~) AC 380V (1~) AC 220/380V (3~)  
 风机频率: 50Hz 60Hz  
 释放装置与接线盒角度 (从轴伸端看顺时针): 0° 90° 180° 270° (见附图)  
 产品型号: \_\_\_\_\_

**定制信息:**

- 包装标识类:
- 外观标识类:
- 安装尺寸类:
- 性能指标类:
- 售后服务类:

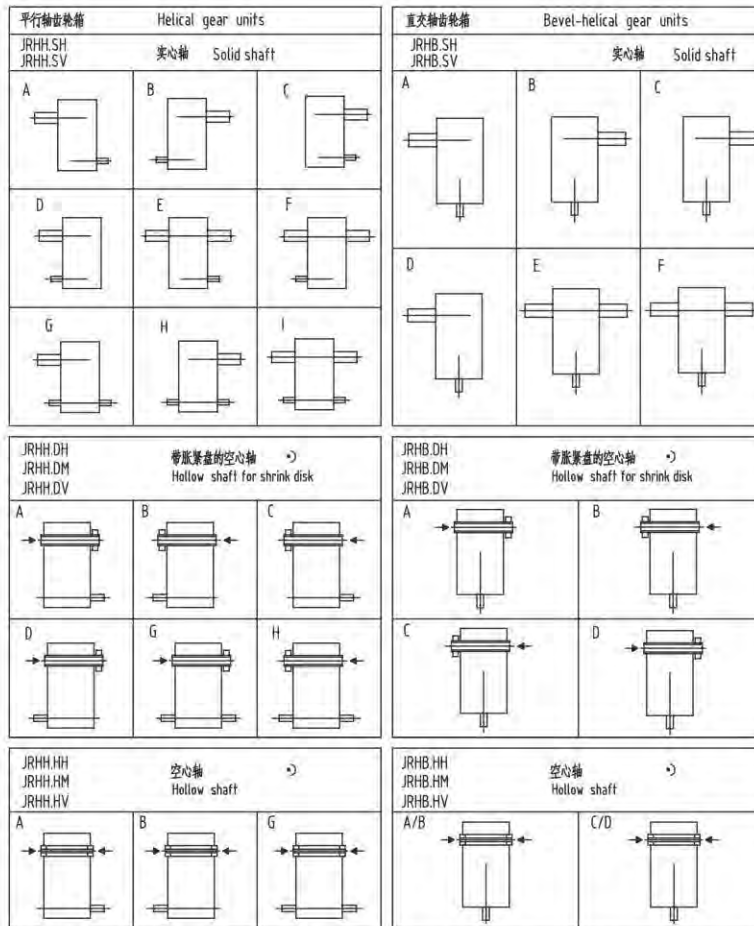
**服务信息:**

- 售前服务:
- 培训咨询:  选型培训  应用培训  使用维护
- 设计选型:  参与设计  设计校核  产品选型
- 需求确认:  工况确认  产品确认  服务确认
- 售中服务:  驻厂全检  过程抽检  出厂检验
- 售后服务:  安装调试  检测维护  备品备件

**商务信息:**

- 运输方式:
- 交付地点:
- 交付时间:
- 订单数量:
- 结算价格:

**布置形式图:**



➔ 箭头表示工作机驱动轴插入方向。 ➔ The arrow indicate the direction of insertion of the driven machine shaft.





## Selection Table of JIE JRH Products

### Conditions of use:

Application industry: \_\_\_\_\_ Equipment name: \_\_\_\_\_  
 Ambient temperature: \_\_\_\_\_ Ambient humidity: \_\_\_\_\_  
 Altitude: \_\_\_\_\_ Site of use:  indoor  outdoor  
 Start-stop frequency: \_\_\_\_\_ Running time: \_\_\_\_\_  
 Load time: 15% 25% 40% 60% 100%  
 Current brand: \_\_\_\_\_ Current model: \_\_\_\_\_  
 Existing problem: \_\_\_\_\_ Items needing improvement: \_\_\_\_\_

### Product information:

Package identification:  
 Packaging material:  Wooden case  Wooden pallet Case mark:  Chinese  English  
 Relevant data:  Certificate of conformity  Ex-factory inspection report  Chinese instruction  
 English instruction  
 List of accessories:  Torque arm  Backstop  None  
 Appearance:  
 Paint color:  JMR-01  JMG-01  JGB-01  RAL2002  RAL5015  RAL9003  RAL7045  RAL7031  
 Anti-corrosive grade: :  Standard  JS1  JS2  JS3  JS4  
 Nameplate requirement:  Chinese  English  
 Installation:  
 Product type:  JRHH  JRHB  
 Type of installation:  Horizontal installation with foot  Horizontal installation without foot  
 Vertical installation  
 Layout form:  A  B  C  D  E  F  G  H  I (see attached figure)  
 Output shaft form:  Solid shaft  Hollow shaft with single key  Hollow shaft with shrink disc  
 Output shaft rotation:  Clockwise  Counterclockwise  Two-direction  
 Performance:  
 Working speed:  $n_2 =$  Working shaft power (kW) :  $P =$  Working torque: (Nm)  $T =$  Service factor:  $f =$   
 Lubrication:  Splash lubrication  Oil expansion tank immersion lubrication  Axial end pump forced lubrication  
 Electric pump forced lubrication  
 Cooling mode:  Fan  Cooling coil  Air cooler system  Plate water cooler system  
 Whether there is axial bearing radial force:  Yes  No Radial force:  
 Whether the output shaft withstands radial force:  Yes  No Radial force:  
 Whether the outlet shaft withstands axial force:  Yes  No Axial force:

Type of motor:  Standard motor  Frequency conversion motor  Explosion-proof motor  Roller motor  
 Lifting motor  Servo motor  
 Pole number:  2  4  6  8 Motor power: kW  
 Rated voltage:  220/380V  380/660V Motor fundamental frequency:  50Hz  60Hz  87Hz  
 Insulation grade:  F  H Protection grade:  IP54  IP55  
 Working system:  S1  S3-40% Cooling mode:  IC410  IC411  IC416  
 Energy efficiency class:  IE2  IE3 Direction of rotation:  Clockwise  Counter clockwise  
 Braking voltage:  DC 24V  AC 220V  AC 380V  
 Release device:  Handle release HR  Screw release HF  None Brake response:  Ordinary  Fast  
 Fan voltage:  DC 24V  AC 220V (1~)  AC 220V (1~)  AC 380V (3~)

Fan frequency: 50Hz 60Hz  
 Angle between release device and terminal box (clockwise from the end of shaft extension) : 0°90°180°  
270° (see attached figure)  
 Product model:

Customized information:  
 Packaging:  
 Appearance:  
 Installation dimension:  
 Performance indicators:  
 After-sales service:

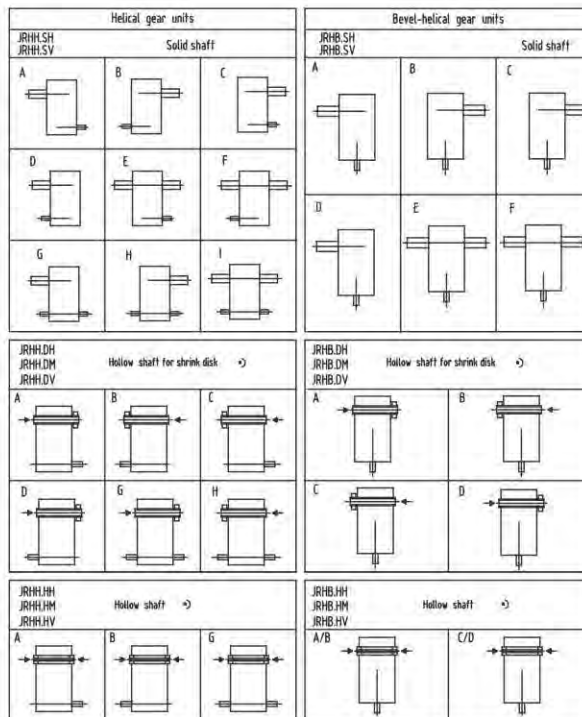
**Service information**

Pre-sales service:  
 Training consulting:  Type selection training  Application training  Use and maintenance  
 Design selection:  Participate in design  Design verification  Product selection  
 Demand confirmation:  Working condition confirmation  Product confirmation  Service confirmation  
 In-sales service:  On-site full inspection  Process sampling  Ex-factory inspection  
 After-sales service:  Installation and commissioning  Testing and maintenance  Spare parts

**Business information:**

Transportation:  
 Delivery place:  
 Delivery time:  
 Order quantity:  
 Settlement price:

**Attached figure:**



→ The arrow indicate the direction of insertion of the driven machine shaft.





## 2. 符号说明

### Key to Symbols

#### 符号说明

$E_D$ =每小时工作周期, 以%表示  
 (例如 $E_D=60\%/h$ )

$f_1$ =工作机系数(表1), 见第21页

$f_2$ =原动机系数(表2), 见第22页

$f_3$ =峰值扭矩系数(表3), 见第22页

$f_{4,5}$ =环境温度系数(表4,5), 见第22页

$f_{6,7}$ =海拔高度系数(表6,7), 见第22页

$f_8$ =齿轮箱供油系数  
 对于立式安装齿轮箱见(表8)见第23页  
 对于卧式安装齿轮箱: $f_8=1$

$f_9, f_{10}, f_{11}, f_{12}$ =热容量系数(表9、10、11、12)  
 见第23页

$i$ =实际传动比

$i_N$ =额定传动比

$i_s$ =要求传动比

$n_1$ =输入转速(r/min)

$n_2$ =输出转速(r/min)

$P_G$ =需要的热容量

$P_{G1}$ =齿轮箱的热容量, 不带辅助冷却装置,  
 见第25-33页

$P_{G2}$ =齿轮箱的热容量, 带冷却风扇,  
 见第25-33页

$P_{G3}$ =齿轮箱的热容量, 带内置式冷却盘管,  
 见第25-33页

$P_{G4}$ =齿轮箱的热容量, 同时带内置式冷却盘管  
 和冷却风扇, 见第25-33页

$P_N$ =齿轮箱的额定功率(kW), 见第24-32页功率表

$P_2$ =工作机的额定功率(kW)

$t$ =环境温度( $^{\circ}C$ )

$T_A$ =输入轴最大扭矩, 例如峰值工作扭矩、启动  
 扭矩或制动扭矩(Nm)

$T_{2N}$ =额定输出扭矩(kNm), 见第34-35页

#### Key to symbols

$E_D$ =Operating cycle per hour in %  
 e.g. $E_D=60\%/h$

$f_1$ =Factor for driven machine(table1),page 21

$f_2$ =Factor for prime mover(table3),page 22

$f_3$ =Peak torque factor(table3),page 22

$f_{4,5}$ =Thermal factors(table4,5),page 22

$f_{6,7}$ =Altitude factor(table6,7), page 22

$f_8$ =Oil supply factor for vertical gear units  
 (table 8),page 23  
 For horizontal gear units: $f_8=1$

$f_9, f_{10}, f_{11}, f_{12}$ = Thermal capacity (table 9、10、11、12)  
 page 23

$i$ =Actual ratio

$i_N$ =Nominal ratio

$i_s$ =Required ratio

$n_1$ =Input speed(r/min)

$n_2$ =Output speed(r/min)

$P_G$ =Required thermal capacity

$P_{G1}$ =Thermal capacity for gear units without  
 auxiliary cooling,pages 25-33

$P_{G2}$ =Thermal capacity for gear units with fan  
 cooling,pages 25-33

$P_{G3}$ =Thermal capacity for gear units with  
 built-in cooling coil,pages 25-33

$P_{G4}$ =Thermal capacity for gear units with  
 built-in cooling coil and fan,pages 25-33

$P_N$ =Nominal power rating of gear unit(kW),  
 see rating tables,pages 24-32

$P_2$ =Power rating of driven machine(kW)

$t$ =Ambient temperature( $^{\circ}C$ )

$T_A$ =Max.torque occurring on input shaft,e.g.peak  
 operating-,starting-or braking torque(Nm)

$T_{2N}$ =Nominal output torque(kNm),pages 34-35

### 3. 选型指南 Guidelines for the Selection

序号 Steps	说明 Specification	代号 Symbol	参数计算 Calculate parameter	
1	工作机系数 Factor for driven machine	$f_1$	查21页 $f_1$ 表 See P 21 $f_1$ table	
2	原动机系数 Factor for prime mover	$f_2$	查22页 $f_2$ 表 See P 22 $f_2$ table	
3	齿轮箱许用输入转速 Permissible input speed	$n_1$	$\leq 1500\text{r/min}$	
4	输入与输出轴关系 Position of input and output	JRHH JRHB	平行选JRHH系列, 垂直选JRHB系列 JRHH:Parallel shaft, JRHB:Right-angled shaft	
5	确定传动比 Determine ratio	$i$	$i=n_1/n_2$	
6	传动效率 Efficiency	$\eta$	单级: 98% 二级: 96% 三级: 94% 四级: 92% single stage:98% 2-stage:96% 3-stage:94% 4-stage:92%	
7	确认齿轮箱额定功率 Determine nominal power	$P_N$	$P_N \geq P_2 \cdot f_1 \cdot f_2 / \eta$	
8	确认输出形式 Determine output mode		输出轴形式及安装方位 Output mode and mounting position	
9	峰值扭矩校核 Check for peak torque	$T_A$	$P_N \geq T_A \cdot n_1 \cdot f_3 / 9550$	
10	检查附加径向力 Check for forces on output shaft	$F_{R2}$		
11	确定供油方式 Determination of oil supply		卧式安装 Horizontal	立式安装 Vertical
			可供选择润滑油供油方式: —飞溅润滑 —浸油润滑 所有需润滑的零部件均浸在润滑油中 —强制润滑 Possible oil supply variations: All parts to be lubricated are lying in the oil or are splash lubricated Forced lubrication on request.	可供选择润滑油供油方式: —浸油润滑 —采用法兰泵或电动泵进行强制润滑 Possible oil supply variations: - Dip lubrication - Forced lubrication by means of flanged-on pump or motor pump
12	确认冷却方式 Cooling method		1如满足以下条件, 则齿轮箱不带辅助冷却装置 Adequate for gear units without auxiliary cooling, if: $P_2 \leq P_{G1}Xf_4Xf_6Xf_8Xf_9$ 2如满足以下条件, 则齿轮箱带冷却风扇可满足要求, Adequate for gear units with fan cooling, if: $P_2 \leq P_{G2}Xf_4Xf_6Xf_8Xf_{10}$ 3如满足以下条件, 则齿轮箱需带冷却盘管可满足要求, Adequate for gear units with fitted cooling coil, if: $P_2 \leq P_{G3}Xf_5Xf_7Xf_8Xf_{11}$ 4如满足以下条件, 则齿轮箱需带冷却盘管和风扇可满足要求, Adequate for gear units with cooling coil and fan, if: $P_2 \leq P_{G4}Xf_5Xf_7Xf_8Xf_{12}$ 5如需要较高的热容量, 则可按用户要求提供外部润滑油冷却装置进行冷却。 For higher thermal capacities, cooling by external oil cooler on request.	

\*峰值扭矩: 最大负载扭矩, 是指启动、制动或最大脉动载荷所引起的最大扭矩。

\*Peak torque: Maximum torque is maximum starting torque, maximum braking torque.





## 4. 选型举例

### Selection example

#### 已知条件

原动机:

$$P_1=75\text{kW}$$

$$n_1=1500\text{r/min}$$

$$T_A=720\text{Nm}$$

#### 工作机 ( 皮带输送机 )

$$P_2=57\text{kW}$$

$$n_2=26\text{r/min}$$

工作制为: 8小时/天

每小时起动次数: 10次

每小时工作周期 $E_D=100\%$

环境温度:  $30^\circ\text{C}$

室外安装

海拔高度: 600m

直交轴工业齿轮箱

安装方式: 卧式

输出轴: 实心轴

布置形式: C

无附件

#### 选型步骤

##### 1. 计算传动比

$$i=n_1/n_2=1500/26=57.7 \quad i_N=56$$

##### 2. 确定减速机的额定功率

$$P_N \geq P_2 \cdot f_1 \cdot f_2 / \eta$$

$$=57 \times 1.3 \times 1 / 0.94 = 78.8\text{kW}$$

从功率表中选择类型JRHB3SH9,

对应额定功率 $P_N=100\text{kW}$

##### 3. 校核峰值扭矩:

$$P_N \geq T_A \cdot n_1 \cdot f_3 / 9550$$

$$=720 \times 1500 \times 0.65 / 9550 = 73.5\text{kW}$$

$$P_N=100\text{kW} > 73.5\text{kW} \quad \text{符合条件}$$

##### 4. 校核热容量:

$$P_{G1} \cdot X_{f4} \cdot X_{f5} \cdot X_{f6} \cdot X_{f9}$$

$$=64.8 \times 0.87 \times 1 \times 1 \times 1.14$$

$$=64.3\text{kW}$$

$$P_2=57\text{kW} < 64.3\text{kW}$$

所以齿轮箱不带辅助冷却装置。

型号表示为: JRHB3SH9-56-C-00

#### Known criteria

Prime mover:

$$P_1=75\text{kW}$$

$$n_1=1500\text{r/min}$$

$$T_A=720\text{Nm}$$

#### Driven machine (belt conveyor)

$$P_2=57\text{kW}$$

$$n_2=26\text{r/min}$$

service duration: 8h/day

Starts per hour: 10times/hour

Working circle  $E_D=100\%$  per hour

Ambient temperature:  $30^\circ\text{C}$

installed in open field

Altitude: 600m

Right-angled shaft

Mounting mode: Horizontal

Output shaft: solid shaft

Shaft amangement: C

No pieces

#### Selecting steps:

##### 1. Calculate ratio

$$i=n_1/n_2=1500/26=57.7 \quad i_N=56$$

##### 2. Determine nominal power rating

$$P_N \geq P_2 \cdot f_1 \cdot f_2 / \eta$$

$$=57 \times 1.3 \times 1 / 0.94 = 78.8\text{kW}$$

Selected from power rating table: JRHB3SH9,

with  $P_N=100\text{kW}$

##### 3. Verify peak torque

$$P_N \geq T_A \cdot n_1 \cdot f_3 / 9550$$

$$=720 \times 1500 \times 0.65 / 9550 = 73.5\text{kW}$$

$$P_N=100\text{kW} > 73.5\text{kW} \quad \text{Meet requirement}$$

##### 4. Verify thermal capacity

$$P_{G1} \cdot X_{f4} \cdot X_{f5} \cdot X_{f6} \cdot X_{f9}$$

$$=64.8 \times 0.87 \times 1 \times 1 \times 1.14$$

$$=64.3\text{kW}$$

$$P_2=57\text{kW} < 64.3\text{kW}$$

So auxiliary cooling devece is unnecessary

Model: JRHB3SH9-56-C-00







电机, 液压马达, 汽轮机	1.0
4-6缸, 活塞发动机周期变化 1: 100至1: 200	1.25
1-3缸, 活塞发动机周期变化 最高达1: 100	1.5

Electric motors, hydraulic motors, turbines	1.0
Piston engines 4-6 cylinders, cyclic variation 1:100to 1:200	1.25
Piston engines 1-3 cylinders, cyclic variation up to 1:100	1.5

	每小时峰值负荷次数			
	1-5	6-30	31-100	>100
$f_3$ 单向载荷	0.5	0.65	0.7	0.85
$f_3$ 交变载荷	0.7	0.95	1.10	1.25

	Load peaks per hour			
	1-5	6-30	31-100	>100
$f_3$ Steady direction of load	0.5	0.65	0.7	0.85
$f_3$ Alternating direction of load	0.7	0.95	1.10	1.25

不带辅助冷却装置或仅带冷却风扇					
环境 温度	每小时工作周期 ( $E_D$ ) 百分比%				
	100	80	60	40	20
10°C	1.14	1.20	1.32	1.54	2.04
20°C	1.00	1.06	1.16	1.35	1.79
30°C	0.87	0.93	1.00	1.18	1.56
40°C	0.71	0.75	0.82	0.96	1.27
50°C	0.55	0.58	0.64	0.74	0.98

Gear units without auxiliary cooling or with fan					
Ambient	Operating cycle per hour( $E_D$ )in%				
	100	80	60	40	20
10°C	1.14	1.20	1.32	1.54	2.04
20°C	1.00	1.06	1.16	1.35	1.79
30°C	0.87	0.93	1.00	1.18	1.56
40°C	0.71	0.75	0.82	0.96	1.27
50°C	0.55	0.58	0.64	0.74	0.98

带冷却盘管或同时带冷却盘管和风扇					
环境 温度	每小时工作周期 ( $E_D$ ) 百分比%				
	100	80	60	40	20
10°C	1.04	1.10	1.21	1.40	1.86
20°C	1.00	1.06	1.16	1.35	1.79
30°C	0.93	0.99	1.08	1.26	1.66
40°C	0.88	0.93	1.02	1.19	1.58
50°C	0.81	0.86	0.94	1.09	1.45

For cooling with cooling coil, or with fan and cooling coil					
Ambient	Operating cycle per hour( $E_D$ )in%				
	100	80	60	40	20
10°C	1.04	1.10	1.21	1.40	1.86
20°C	1.00	1.06	1.16	1.35	1.79
30°C	0.93	0.99	1.08	1.26	1.66
40°C	0.88	0.93	1.02	1.19	1.58
50°C	0.81	0.86	0.94	1.09	1.45

不带辅助冷却装置或仅带冷却风扇					
系数	海拔高度 (m, 高于海平面)				
	高达 1000	高达 2000	高达 3000	高达 4000	高达 5000
$f_6$	1.0	0.95	0.90	0.85	0.80

Gear units without auxiliary cooling or with fan					
Factor	Altitude(metres above MSL)				
	up to 1000	up to 2000	up to 3000	up to 4000	up to 5000
$f_6$	1.0	0.95	0.90	0.85	0.80

带冷却盘管或同时带冷却盘管和风扇					
系数	海拔高度 (m, 高于海平面)				
	高达 1000	高达 2000	高达 3000	高达 4000	高达 5000
$f_7$	1.0	0.98	0.96	0.94	0.92

For cooling with cooling coil, or with fan and cooling coil					
Factor	Altitude(metres above MSL)				
	up to 1000	up to 2000	up to 3000	up to 4000	up to 5000
$f_7$	1.0	0.98	0.96	0.94	0.92

## 六. 技术参数

### Technical Specifications

平行轴齿轮箱 额定功率

Helical gear units Nominal Power Ratings

类型 JRHH1..,JRHH2.. 规格 3-19

Type JRHH1..,JRHH2.. Sizes 3-19

i <sub>j</sub>	n <sub>1</sub>	n <sub>2</sub>	额定功率 Nominal Power Ratings																
			齿轮箱规格							Gear unit Sizes									
			3	4	5	6	7	8	9	10	11	12	13	14	15	16	17	18	19
			额定功率P <sub>N</sub> (kW)							Nominal Power RatingsP <sub>N</sub> (kW)									
r/min																			
1.25	1500	1200	364		1005		1909		3103										
	1000	800	242		670		1273		2069										
	750	600	182		503		955		1552										
1.4	1500	1071	347		919		1783		2870										
	1000	714	231		613		1189		1913										
	750	536	174		460		892		1435										
1.6	1500	938	324		844		1600		2661		4518								
	1000	625	215		562		1067		1774		3010		4410						
	750	469	162		422		800		1331		2259								
1.8	1500	833	235		767		1517		2442		4151		4127						
	1000	556	157		512		1011		1628		2771		3095						
	750	417	118		384		759		1221		2076								
2	1500	750	219		738		1397		2442		3856								
	1000	500	146		492		931		1628		2570		3816						
	750	375	110		369		698		1221		1928		2862						
2.24	1500	670	196		673		1248		2013		3549								
	1000	446	130		448		831		1342		2363		3511						
	750	335	98		337		624		1007		1775		2633						
2.5	1500	600	182		603		1118		1803		3179								
	1000	400	121		402		745		1202		2119		3225		4900				
	750	300	91		302		559		902		1590		2419		3675				
2.8	1500	536	173		538		959		1526		2839		4321						
	1000	357	115		358		639		1016		1891		2878		4485				
	750	268	87		269		480		763		1420		2158		3364				
3.15	1500	476	154		478		867		1400		2397		3643						
	1000	317	102		318		577		932		1598		2429		4116				
	750	238	77		239		434		700		1199		1822		3087				
3.55	1500	423	141		420		788		1266		2223		3295						
	1000	282	94		280		525		844		1482		2197		3720				
	750	211	71		210		394		633		1112		1648		2790				
4	1500	375	125		376		698		1126		1986		2972						
	1000	250	83		251		465		751		1324		1981		3403		4528		
	750	188	63		188		349		563		993		1486		2552		3396		
4.5	1500	333	87	220	268		550		857		1603		2147		3800				
	1000	222	58	146	178		367		571		1069		1431		2533		3393		
	750	167	44	110	134		275		429		802		1074		1900		2545		
5	1500	300	75	198	226		433		738		1215		1831		2984		3895		
	1000	200	50	132	150		289		492		810		1221		1989		2597	3643	
	750	150	38	99	113		217		369		608		916		1492		1948	2732	
5.6	1500	268	64	178	193		367		564		1024		1554		2536		3311	4209	
	1000	179	43	118	129		245		376		684		1036		1691		2207	2806	
	750	134	32	88	97		184		282		512		777		1268		1656	2105	

卧式安装齿轮箱应采用强制润滑。

Forced lubrication required on horizontal gear units



**表8 立式安装齿轮箱供油系数。对于卧式安装齿轮箱：当采用浸油润滑时 $f_8=1.0$ ；当采用强制润滑时 $f_8=1.05$**   
**Table8 Oil supply factor for vertical gear units. For horizontal gear units  $f_8=1.0$ , and in case of forced lubrication  $f_8=1.05$**   $f_8$

齿轮箱类型 Gear unit type	供油方式 Oil supply	规格/Sizes 4...12				规格/Sizes 13...18			
		不带辅助冷却装置 without Auxiliary cooling	带冷却风扇 with Fan	带冷却盘管 with Cooling coil	带风扇和冷却盘管 with Fan and cooling coil	不带辅助冷却装置 without Auxiliary cooling	带冷却风扇 with Fan	带冷却盘管 with Cooling coil	带风扇和冷却盘管 with Fan and cooling coil
JRHH2.V JRHH3.V JRHH4.V	浸油润滑 Dip lubrication	0.95	****	0.95	****	****	****	****	****
	强制润滑 Forced lubrication	1.15	****	1.05	****	1.15	****	1.05	****
JRHB2.V JRHB3.V JRHB4.V	浸油润滑 Dip lubrication	0.95	0.95	0.95	0.95	****	****	****	****
	强制润滑 Forced lubrication	1.15	1.10	1.10	1.10	1.15	1.10	1.10	1.10

**表9 不带辅助冷却装置齿轮箱的热容量系数**  
**Table9 Thermal capacity factor for gear units without auxiliary cooling**  $f_9$

齿轮箱类型 Gear unit type	n r/min	速比 Ratio i	狭小空间安装*规格 Small confined spaces				室内大厅、大车间安装**规格 Large halls workshops				室外安装***规格 In the open			
			3...6	7...12	13...18	19...28	3...6	7...12	13...18	19...28	3...6	7...12	13...18	19...28
JRHH1SH	750	1.25..2 2.24..5.6	0.54 0.60	0.51 0.58	- 0.55	- 0.50	0.69 0.73	0.66 0.71	- 0.68	0.67	0.9 0.9	0.9 0.9	0.9 0.9	- 0.9
	1000	1.25..2 2.24..5.6	0.50 0.62	- 0.53	0.48	-	0.65 0.77	0.57 0.68	- 0.59	0.45	0.89 0.96	0.81 0.89	0.81 0.81	- 0.70
	1500	1.25..2 2.24..3.55 4..5.6	0.39 0.50 0.67	- 0.47	-	-	0.57 0.8 0.84	- 0.50 0.62	- -	-	0.83 0.94 1.07	- 0.77 0.86	- -	- 0.88
JRHH2..	750	5..9 10..28	0.63 0.67	0.55 0.65	0.57 0.64	0.57 0.65	0.77 0.79	0.72 0.78	0.70 0.77	0.72	0.95 0.95	0.95 0.95	0.95 0.95	0.95 0.95
	1000	5..9 10..28	0.63 0.71	0.51 0.65	0.48 0.63	0.60	0.79 0.86	0.66 0.80	0.62 0.76	0.73	1.01 1.05	0.90 1.01	0.86 0.98	0.92 0.94
JRHB2..	750	5..6.3 7..9 10..16 18..28	0.53 0.61 0.71 0.77	0.45 0.53 0.66	- 0.51 0.60	- -	0.72 0.78 0.89	0.56 0.59 0.67	- 0.64	-	1.00 1.05 1.14 1.18	0.84 0.83 0.93 1.08	0.77 0.88 0.88	- 0.79 0.88
	1500	5..6.3 7..9 10..16 18..28	0.53 0.61 0.71 0.77	0.45 0.53 0.66	- 0.51 0.60	- -	0.72 0.78 0.89	0.56 0.59 0.67	- 0.64	-	1.00 1.05 1.14 1.18	0.84 0.83 0.93 1.08	0.77 0.88 0.88	- 0.79 0.88
JRHH3..	750	12.5..112	0.67	0.67	0.67	0.67	0.79	0.79	0.79	0.78	0.95	0.95	0.95	0.95
	1000	12.5..112	0.72	0.70	0.67	0.67	0.86	0.85	0.82	0.80	1.04	1.04	1.02	1.00
JRHB3..	750	12.5..31.5 35.5..56 63..112	0.73 0.79 0.83	0.59 0.74 0.83	0.51 0.66 0.80	0.50 0.61 0.77	0.91 0.95 0.98	0.80 0.91 0.98	0.64 0.83 0.95	0.62	1.15 1.17 1.18	1.05 1.14 1.18	0.90 1.06 1.17	0.84 1.02 1.14
	1500	80..450 80..450 80..112	0.71 0.76 0.79	0.72 0.77 0.82	0.73 0.78 0.80	0.73 0.78 0.72	0.84 0.90 0.98	0.85 0.91 0.99	0.85 0.91 0.98	0.85	1.00 1.09 1.21	1.00 1.09 1.21	1.00 1.09 1.21	1.00 1.09 1.21
JRHH4..	750	80..450	0.71	0.72	0.73	0.73	0.84	0.85	0.85	0.85	1.00	1.00	1.00	1.00
	1000	80..450	0.76	0.77	0.78	0.78	0.90	0.91	0.91	0.91	1.09	1.09	1.09	1.09
JRHB4..	750	80..112	0.79	0.82	0.80	0.72	0.98	0.99	0.98	0.98	1.21	1.21	1.21	1.21
	1500	125..450	0.84	0.86	0.85	0.85	1.01	1.02	1.01	1.01	1.23	1.23	1.23	1.23

**表10 带冷却风扇齿轮箱的热容量系数**  
**Table10 Thermal capacity factor for gear units with fan**  $f_{10}$

齿轮箱类型 Gear unit type	n r/min	速比 Ratio i	狭小空间安装*规格 Small confined spaces				室内大厅、大车间安装**规格 Large halls workshops				室外安装***规格 In the open			
			3...6	7...12	13...18	19...28	3...6	7...12	13...18	19...28	3...6	7...12	13...18	19...28
JRHH1SH	750	1.25..112	0.88	0.91	0.96	0.96	0.91	0.93	0.97	0.97	0.98	0.98	0.98	0.98
JRHH2.. JRHH3..	1000		1.05	1.10	1.13	1.15	1.08	1.12	1.14	1.14	1.15	1.16	1.16	1.16
JRHB2.. JRHB3..	1500		1.39	1.44	1.43	1.42	1.41	1.45	1.43	1.42	1.47	1.48	1.45	1.44

**表11 带冷却盘管齿轮箱的热容量系数**  
**Table11 Thermal capacity factor for gear units with cooling coil**  $f_{11}$

齿轮箱类型 Gear unit type	n r/min	速比 Ratio i	狭小空间安装*规格 Small confined spaces				室内大厅、大车间安装**规格 Large halls workshops				室外安装***规格 In the open			
			4...6	7...13	14...16	17...18	4...6	7...13	14...16	17...18	4...6	7...13	14...16	17...18
JRHH1SH	750	1.25..28	0.82	0.85	0.84	0.87	0.89	0.90	0.90	0.91	0.98	0.98	0.98	0.98
JRHH2..	1000		0.92	0.98	0.94	0.94	1.02	1.03	1.00	1.00	1.12	1.12	1.08	1.07
JRHB2..	1500		1.10	1.12	0.99	0.93	1.21	1.20	1.05	1.00	1.34	1.30	1.14	1.08
JRHH3..	750	12.5..112	0.84				0.90				0.98			
JRHH3..	1000		0.96				1.04				1.12			
JRHB3..	1500		1.18				1.28				1.38			

**表12 带冷却风扇和冷却盘管齿轮箱的热容量系数**  
**Table12 Thermal capacity factor for gear units with fan and cooling coil**  $f_{12}$

齿轮箱类型 Gear unit type	n r/min	速比 Ratio i	狭小空间安装*规格 Small confined spaces			室内大厅、大车间安装**规格 Large halls workshops			室外安装***规格 In the open		
			4...6	7...12	13...18	4...6	7...12	13...18	4...6	7...12	13...18
JRHH1SH	750	1.25..112	0.91	0.95	0.96	0.94	0.96	0.97	0.98	0.98	0.98
JRHH2.. JRHH3..	1000		1.11	1.16	1.16	1.13	1.17	1.17	1.17	1.19	1.18
JRHB2.. JRHB3..	1500		1.50	1.55	1.50	1.51	1.56	1.51	1.55	1.57	1.51

\* ) 风速  $\geq 1\text{m/s}$       \*\* ) 风速  $\geq 2\text{m/s}$       \*\*\* ) 风速  $\geq 4\text{m/s}$       \*\*\*\* ) 根据客户要求供货  
 \*) Wind velocity  $\geq 1\text{m/s}$       \*\*) Wind velocity  $\geq 2\text{m/s}$       \*\*\*) Wind velocity  $\geq 4\text{m/s}$       \*\*\*\*) On request  
 -需要辅助冷却装置  
 -Require auxiliary cooling



平行轴齿轮箱 热容量

类型 JRHH1..,JRHH2.. 规格 3-19

Helical gear units Thermal Capacities

Type JRHH1..,JRHH2.. Sizes 3-19

		热容量 Thermal Capacities																	
i <sub>n</sub>		齿轮箱规格 Gear unit Sizes																	
		3	4	5	6	7	8	9	10	11	12	13	14	15	16	17	18	19	20
热容量P <sub>G</sub> (kW)取决于冷却方式: P <sub>G1</sub> : 无辅助冷却装置; P <sub>G2</sub> : 带冷却风扇; P <sub>G3</sub> : 带冷却盘管; P <sub>G4</sub> : 带风扇和冷却盘管 Thermal capacity P <sub>G</sub> (in kW) dependent on kind of cooling: P <sub>G1</sub> : without auxiliary cooling; P <sub>G2</sub> : fan cooling; P <sub>G3</sub> : cooling coil; P <sub>G4</sub> : fan and cooling coil.																			
1.25	PG1																		
	PG2	210		372		408													
	PG3	307		686		946		1276											
	PG4	472		1117		1537		1991											
1.4	PG1																		
	PG2	212		392		447		375											
	PG3	299		680		937		1285											
	PG4	459		1104		1523		1992											
1.6	PG1																		
	PG2	213		420		500		495											
	PG3	284		655		894		1276		1944		2060							
	PG4	438		1063		1452		1982		3039		3187							
1.8	PG1																		
	PG2	241		435		554		575											
	PG3	309		625		894		1259		1990		2161							
	PG4	478		1019		1450		1953		3106		3328							
2	PG1																		
	PG2	234		427		553		590		509									
	PG3	295		593		852		1207		1947		2161		1626					
	PG4	455		964		1382		1873		3026		3313		2826					
2.24	PG1																		
	PG2	227		422		544		620		631									
	PG3	278		558		779		1151		1902		2172		1719					
	PG4	431		913		1264		1790		2964		3336		2963					
2.5	PG1																		
	PG2	211		405		525		614		676									
	PG3	251		518		723		1075		1810		2102		1746					
	PG4	388		848		1172		1674		2819		3228		2972					
2.8	PG1	50																	
	PG2	199		384		553		658		705									
	PG3	231		475		733		1091		1698		2002		1748		1836			
	PG4	359		777		1189		1695		2647		3075		2947		3087			
3.15	PG1	63.8																	
	PG2	200		415		702		828		1055		1033		816					
	PG3	226		481		881		1237		1858		2221		2223		2487			
	PG4	348		779		1442		1941		2879		3394		3634		4035			
3.55	PG1	59.8																	
	PG2	183		407		649		778		998		1014		860		678			
	PG3	204		460		791		1124		1685		2042		2087		2387			
	PG4	314		746		1301		1768		2617		3123		3397		3839			
4	PG1	56.2		85.1															
	PG2	166		374		591		677		964		1012		938		821		623	
	PG3	181		410		696		937		1534		1870		1943		2263			
	PG4	280		665		1147		1483		2387		2866		3159		3625			
4.5	PG1	66.4		106		135													
	PG2	180		389		611		795		994		1193		1261		1192		1069	
	PG3	194		413		696		1049		1489		1992		2075		2382			
	PG4	298		669		1137		1646		2330		3062		3339		3779			
5	PG1	62.5		111		151		169											
	PG2	165		373		599		738		1020		1227		1395		1560		1526	
	PG3	173		390		659		930		1427		1911		2022		2660			
	PG4	266		631		1080		1464		2242		2942		3255		4202			
5.6	PG1	56		98.8		136		163											
	PG2	146		330		535		704		967		1104		1266		1433		1604	
	PG3	151		337		577		866		1337		1675		1787		2367			
	PG4	232		548		949		1370		2106		2586		2880		3741			













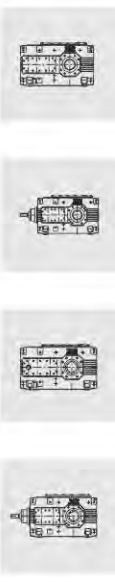
平行轴齿轮箱 热容量

类型 JRHH3...,JRHH4.. 规格 5-28

Helical gear units Thermal Capacities

Type JRHH3...,JRHH4.. Sizes 5-28

		热容量 Thermal Capacities																							
		齿轮箱规格 Gear unit Sizes																							
i <sub>N</sub>		5	6	7	8	9	10	11	12	13	14	15	16	17	18	19	20	21	22	23	24	25	26	27	28
		热容量P <sub>G</sub> (kW)取决于冷却方式: P <sub>G1</sub> : 无辅助冷却装置; P <sub>G2</sub> : 带冷却风扇; P <sub>G3</sub> : 带冷却盘管; P <sub>G4</sub> : 带风扇和冷却盘管 Thermal capacity P <sub>G</sub> (in kW) dependent on kind of cooling: P <sub>G1</sub> : without auxiliary cooling, P <sub>G2</sub> : fan cooling, P <sub>G3</sub> : cooling coil, P <sub>G4</sub> : fan and cooling coil.																							
40	P <sub>G1</sub>	46.1	54.3	70.6	81.4	93.9	101	132	156	172	197	221	232	221	231	272	283	293	269						
	P <sub>G2</sub>	79.5	93.4	125	144	170	182	248	293	318	366	449	476	449	474										
	P <sub>G3</sub>	105	122	175	200	252	327	410	470	525	608	823	882	820	871										
	P <sub>G4</sub>	133	154	223	254	319	404	514	589	649	750	1024	1094	1003	1066										
45	P <sub>G1</sub>	44.2	52.5	68.2	79.2	90.8	99.1	132	151	166	192	223	227	224	227	276	280	297	278						
	P <sub>G2</sub>	76.1	90.2	120	140	162	177	247	283	306	355	450	460	448	460										
	P <sub>G3</sub>	99.7	117	167	192	239	314	401	447	495	579	809	835	804	823										
	P <sub>G4</sub>	126	148	212	243	303	388	505	561	611	714	1006	1034	985	1009										
50	P <sub>G1</sub>	43.2	50.1	65.2	76.6	90.6	95.9	134	151	171	195	240	246	242	250	304	313	360	344						
	P <sub>G2</sub>	73.8	85.5	114	133	160	169	246	278	306	352	462	479	462	480										
	P <sub>G3</sub>	96.4	109	157	181	235	293	395	425	485	551	809	827	797	815										
	P <sub>G4</sub>	122	138	200	228	295	362	497	534	603	686	1009	1033	987	1012										
56	P <sub>G1</sub>	41.2	48.5	62.7	74.4	87.3	93.4	127	154	170	192	239	256	243	260	310	329	379	387						
	P <sub>G2</sub>	70.1	82.2	109	129	153	164	230	280	300	341	449	484	453	485										
	P <sub>G3</sub>	90.6	103	148	172	219	278	359	417	461	521	759	822	752	808										
	P <sub>G4</sub>	114	131	188	218	278	344	452	527	574	650	952	1028	934	1001										
63	P <sub>G1</sub>	39.1	47	59	71	83.5	92.5	122	154	166	194	235	255	241	262	307	336	397	411						
	P <sub>G2</sub>	66.1	79.2	102	122	145	160	219	276	288	338	434	473	439	474										
	P <sub>G3</sub>	84.1	100	136	161	204	272	334	411	432	510	706	770	700	760										
	P <sub>G4</sub>	106	126	172	205	259	338	421	518	538	637	889	973	876	950										
71	P <sub>G1</sub>	38.7	44.6	57.3	67.7	81.8	88.2	120	144	162	188	230	243	234	249	306	316	381	400						
	P <sub>G2</sub>	65.3	75	98.9	116	142	153	213	256	279	325	422	447	422	450										
	P <sub>G3</sub>	83.1	93.8	130	151	200	255	322	371	412	484	680	715	671	706										
	P <sub>G4</sub>	105	118	166	192	252	315	407	469	515	605	857	902	841	881										
80	P <sub>G1</sub>	36.8	42.1	56	63.3	77.6	83.5	113	136	158	178	223	237	227	241	292	315	369	384						
	P <sub>G2</sub>	61.9	70.3	96.6	108	134	143	201	241	272	308	406	434	406	433										
	P <sub>G3</sub>	77.3	87.2	125	139	185	236	297	345	398	449	642	688	635	676										
	P <sub>G4</sub>	97.9	110	160	177	236	293	377	437	496	564	812	868	795	846										
90	P <sub>G1</sub>	36.3	41.8	53.1	61.4	73.8	81.6	110	134	148	173	211	231	215	233	280	300	363	372						
	P <sub>G2</sub>	61.1	69.8	91.3	104	127	140	194	235	255	298	383	418	384	417										
	P <sub>G3</sub>	75.1	86.4	116	133	172	231	285	333	365	430	595	651	588	640										
	P <sub>G4</sub>	95.5	109	148	171	219	286	362	422	458	537	752	823	738	803										
100	P <sub>G1</sub>		39.7	48.7	60.4	67.6	78	99.1	128	130	171	172	221	190	226	264	294	348	379						
	P <sub>G2</sub>		66.2		102		133		223		293		397		397										
	P <sub>G3</sub>		80.3		129		215		308		415		604		595										
	P <sub>G4</sub>		101		165		266		392		520		764		748										
112	P <sub>G1</sub>		39.3	47.1	57.2	65.1	74.3	99.1	124	129	161	167	179	186	198	259	276	352	358						
	P <sub>G2</sub>		65.6		97.3		127		216		274														
	P <sub>G3</sub>		78.3		119		199		296		382														
	P <sub>G4</sub>		99.4		153		248		377		479														
125	P <sub>G1</sub>			45.8	52.5	63.1	68.3	95.5	110	126	142	163	174	181	192	254	268	348	359						
140	P <sub>G1</sub>			43.5	50.5	61.3	65.6	92.8	110	123	139	158	169	176	188	248	263	336	356						
160	P <sub>G1</sub>			41.9	49.1	58	63.7	88.5	106	116	135	153	164	171	182	240	255	327	342						
180	P <sub>G1</sub>			40.4	46.7	55.8	61.9	85.8	103	113	132	152	159	169	177	232	249	329	335						
200	P <sub>G1</sub>			38.9	45.1	54	58.5	81.3	98.9	110	126	149	157	164	175	226	240	314	335						
224	P <sub>G1</sub>			36.7	43.2	52	56.2	78.1	95.5	106	121	140	154	154	170	219	233	303	321						
250	P <sub>G1</sub>			35.1	41.9	49.6	54.5	74.2	90.2	100	118	132	143	147	159	208	224	287	305						
280	P <sub>G1</sub>			34	39.3	48.2	52.3	71.4	86.8	97.7	112	128	135	143	151	199	213	276	289						
315	P <sub>G1</sub>			33.3	37.6	45.9	49.9	69.7	82.2	93.7	108	122	131	136	147	195	204	264	278						
355	P <sub>G1</sub>			31.8	36.5	45.1	48.5	66.3	79.2	89.4	104	120	126	133	141	186	200	252	267						
400	P <sub>G1</sub>				35.8		46.2		77.3		100		123		138		190		255						
450	P <sub>G1</sub>				34		45.4		73.5		95.3														



直交轴齿轮箱 额定功率

类型 JRHB2..,JRHB3.. 规格 4-28

Bevel-helical gear units Nominal Power Ratings

Type JRHB2..,JRHB3.. Sizes 4-28

i <sub>N</sub>	n <sub>1</sub> r/min	n <sub>2</sub>	额定功率 Nominal Power Ratings																															
			齿轮箱规格 Gear unit Sizes																															
			4	5	6	7	8	9	10	11	12	13	14	15	16	17	18	19	20	21	22	23	24	25	26	27	28							
额定功率P <sub>N</sub> (kW)														Nominal Power RatingsP <sub>N</sub> (kW)																				
5	1500	300	191	295		596		939		1445		2154		3832																				
	1000	200	127	197		397		626		963		1436		2555																				
	750	150	96	148		298		470		723		1077		1916																				
5.6	1500	268	173	263		533		839		1349		1953		3423	3788																			
	1000	179	116	175		355		559		899		1302		2282	2525	3654																		
	750	134	87	132		267		420		675		977		1712	1894																			
6.3	1500	238	154	234	299	473	593	745	947	1251	1465	1839	2123	3239	3513	4859																		
	1000	159	103	156	199	315	395	497	631	834	977	1226	1415	2159	2342	3239																		
	750	119	77	117	150	237	297	373	474	626	733	920	1062	1620	1757	2430																		
7.1	1500	211	136	207	265	419	525	660	839	1157	1345	1676	1928	2916	3203	4308																		
	1000	141	91	138	177	279	350	440	559	771	897	1117	1285	1944	2135	2872	3395																	
	750	106	68	104	133	210	263	330	420	579	673	838	964	1458	1602	2154																		
8	1500	188	122	185	236	374	468	588	748	1063	1242	1574	1801	2598	2913	3838	4527																	
	1000	125	81	123	157	249	312	392	499	709	828	1049	1201	1732	1942	2559	3018																	
	750	94	61	93	118	187	234	294	374	532	621	787	901	1299	1457	1919	2264																	
9	1500	167	108	164	209	332	416	522	664	944	1140	1418	1654	2308	2588	3409	4021																	
	1000	111	72	109	139	221	277	348	443	629	760	945	1103	1539	1725	2273	2681																	
	750	83	54	82	105	166	208	261	332	472	570	709	827	1154	1294	1705	2011																	
10	1500	150	97	147	188	298	373	469	596	848	1041	1273	1551	2073	2324	3062	3612																	
	1000	100	64	98	125	199	249	313	397	565	694	849	1034	1382	1549	2041	2408																	
	750	75	49	74	94	149	187	235	298	424	521	637	776	1037	1162	1531	1806																	
11.2	1500	134	86	131	168	266	333	419	533	757	930	1137	1422	1852	2076	2736	3227																	
	1000	89	57	87	112	177	222	279	355	505	620	758	948	1235	1384	1824	2151																	
	750	67	43	66	84	133	167	210	267	379	465	569	711	926	1038	1368	1614																	
12.5	1500	120	69	118	150	213	299	351	477	658	833	998	1274	1658	1859	2450	2890	3141																
	1000	80	46	79	100	142	199	234	318	439	555	665	849	1105	1239	1633	1927	2094																
	750	60	35	59	75	107	150	176	239	329	417	499	637	829	930	1225	1445	1571																
14	1500	107	67	109	134	203	266	330	425	635	742	914	1136	1534	1658	2184	2576	2935	3305	4033	4537													
	1000	71	44	73	89	135	177	220	283	423	495	609	757	1023	1105	1456	1717	1957	2203	2676	3010													
	750	54	34	55	67	102	133	165	213	318	371	457	568	767	829	1092	1288	1468	1653	2017	2269													
16	1500	94	64	103	118	194	211	305	350	589	652	824	978	1397	1515	1968	2263	2706	3031	3740	4153													
	1000	63	43	69	79	129	141	203	233	393	435	549	652	931	1010	1312	1509	1804	2021	2506	2783													
	750	47	32	52	59	97	106	153	175	295	326	412	489	699	758	984	1132	1353	1516	1870	2077													
18	1500	83	58	98	109	183	200	294	325	538	604	753	886	1286	1390	1738	2085	2503	2781	3476	3806													
	1000	56	39	65	73	122	133	196	217	359	403	502	591	857	927	1159	1390	1669	1854	2345	2568													
	750	42	29	49	55	92	100	147	163	269	302	377	443	643	695	869	1043	1252	1391	1738	1903													
20	1500	75	52	91	103	170	196	280	308	498	570	712	824	1201	1311	1570	1884	2356	2607	3298	3573													
	1000	50	35	61	69	113	131	187	205	332	380	475	549	801	874	1047	1256	1571	1738	2198	2382	3351												
	750	38	26	46	52	85	98	140	154	249	285	356	412	601	656	785	942	1178	1304	1649	1787	2513												
22.4	1500	67	47	81	99	152	185	250	293	445	530	636	757	1073	1213	1403	1683	2104	2420	2946	3297													
	1000	45	31	54	66	101	123	167	195	297	353	424	505	715	809	935	1122	1403	1613	1979	2214	2992	3389	4020	4815									
	750	33	24	41	50	76	93	125	147	223	265	318	379	537	607	702	842	1052	1210	1473	1649	2244	2542	3015	3611	4312	4908							
25	1500	60	42	72	97	136	170	224	275	398	485	569	709	961	1086	1256	1507	1884	2167	2638	2952													
	1000	40	28	48	65	91	113	149	183	265	323	379	473	641	724	837	1005	1256	1445	1759	1968	2681	3037	3602	4314									
	750	30	21	36	49	68	85	112	138	199	243	285	355	481	543	628	754	942	1084	1319	1476	2010	2277	2702	3236	3864	4398							
28	1500	54	37	65	87	122	153	201	247	359	436	512	638	865	978	1130	1357	1696	1950	2374	2657													
	1000	36	25	43	58	81	102	134	165	239	291	341	425	577	652	753	905	1131	1300	1583	1771	2393	2711	3216	3852									
	750	27	19	33	44	61	77	101	124	180	218	256	319	433	489	565	679	848	975	1187	1329	1795	2033	2412	2889	3450	3927							

卧式安装齿轮箱应采用强制润滑。

Forced lubrication required on horizontal gear units

直交轴齿轮箱 热容量

Bevel-helical gear units Thermal Capacities

类型 JRHB2..,JRHB3.. 规格 4-28

Type JRHB2..,JRHB3.. Sizes 4-28

		热容量 Thermal Capacities																										
		齿轮箱规格 Gear unit Sizes																										
$i_N$		4	5	6	7	8	9	10	11	12	13	14	15	16	17	18	19	20	21	22	23	24	25	26	27	28		
		热容量 $P_G$ (kW)取决于冷却方式; $P_{G1}$ : 无辅助冷却装置; $P_{G2}$ : 带冷却风扇; $P_{G3}$ : 带冷却盘管; $P_{G4}$ : 带风扇和冷却盘管 Thermal capacity $P_G$ (in kW) dependent on kind of cooling; $P_{G1}$ : without auxiliary cooling; $P_{G2}$ : fan cooling; $P_{G3}$ : cooling coil; $P_{G4}$ : fan and cooling coil.																										
5	$P_{G1}$	35.3																										
	$P_{G2}$	139	184																									
	$P_{G3}$	159	238		283		328		478		574		486															
	$P_{G4}$	249	366		581		705		1144		2019		2386															
5.6	$P_{G1}$	38.6																										
	$P_{G2}$	135	185		274		322		504		646		618		565													
	$P_{G3}$	154	231		340		424		738		1470		1992		2307													
	$P_{G4}$	241	359		543		662		1126		2044		2489		2739													
6.3	$P_{G1}$	40																										
	$P_{G2}$	132	178	206	259	308	310	345	479	581	633	753	664	684	646													
	$P_{G3}$	147	215	306	308	449	385	531	651	1120	1295	1613	1847	2019	2155													
	$P_{G4}$	231	336	456	497	690	612	799	1010	1596	1839	2267	2393	2574	2689													
7.1	$P_{G1}$	40.6	44	50.6																								
	$P_{G2}$	125	169	204	248	298	299	336	493	601	676	804	720	754	740	760												
	$P_{G3}$	135	199	298	284	414	354	488	629	1072	1261	1552	1722	1875	2031	2177												
	$P_{G4}$	213	313	447	462	642	570	747	996	1556	1848	2261	2331	2505	2666	2817												
8	$P_{G1}$	39.9	45.1	53.4	53																							
	$P_{G2}$	117	160	195	236	280	287	321	463	564	646	768	713	775	756	808												
	$P_{G3}$	124	182	276	263	375	328	444	557	942	1126	1364	1553	1751	1851	2043												
	$P_{G4}$	198	290	417	430	586	533	686	896	1392	1674	2016	2152	2400	2499	2729												
9	$P_{G1}$	39.3	45.7	54.4	55.8	61.6	59.6																					
	$P_{G2}$	111	153	186	226	266	277	306	452	568	640	785	724	759	782	812												
	$P_{G3}$	115	168	253	246	346	310	409	526	915	1055	1329	1474	1570	1766	1858												
	$P_{G4}$	183	267	386	407	543	507	637	853	1363	1598	1996	2085	2204	2444	2549												
10	$P_{G1}$	33.7	44	53.3	55.1	62.3	60.8	63.9																				
	$P_{G2}$	92.8	140	174	211	251	261	291	429	525	616	734	698	753	770	818												
	$P_{G3}$	91.9	150	233	224	318	284	377	483	810	978	1176	1347	1490	1642	1772												
	$P_{G4}$	147	240	356	372	505	465	591	791	1218	1490	1787	1933	2118	2306	2464												
11.2	$P_{G1}$	33	40.4	52.1	51	61.9	57.7	65.2																				
	$P_{G2}$	89.8	125	165	188	240	232	279	382	506	555	709	641	721	714	797												
	$P_{G3}$	87.9	131	213	195	298	246	356	418	764	849	1101	1186	1360	1457	1652												
	$P_{G4}$	140	210	327	326	474	406	561	688	1156	1306	1688	1722	1960	2068	2315												
12.5	$P_{G1}$	39.4	50.4	50.1	76.7	61.7	95.4	66.9	112																			
	$P_{G2}$	84.8	118	151	186	224	250	264	377	481	468	681	602	669	728	749												
	$P_{G3}$	94.7	151	189	265	272	390	326	542	701	831	1021	1261	1198	1484	1468												
	$P_{G4}$	131	209	292	362	435	529	515	768	1070	1126	1574	1652	1754	1991	2093												
14	$P_{G1}$	38.6	49.6	46	75.7	57.4	95.2	63.1	117																			
	$P_{G2}$	82.6	114	135	180	200	244	236	374	428	482	611	598	631	728	792												
	$P_{G3}$	91.9	146	166	257	238	380	283	533	605	843	884	1217	1280	1443	1569												
	$P_{G4}$	127	202	255	350	380	514	449	756	931	1147	1377	1603	1688	1947	2110												
16	$P_{G1}$	36.8	48.3	55.4	72.9	83.3	94.3	103	114	125	122	138																
	$P_{G2}$	78.6	110	126	172	196	239	262	358	407	445	511	597	615	737	741												
	$P_{G3}$	87.4	141	157	244	272	369	415	508	662	769	868	1196	1230	1429	1447												
	$P_{G4}$	121	195	216	334	369	500	558	719	907	1047	1181	1583	1621	1937	1949												
18	$P_{G1}$	35.9	47.2	54.1	71.1	81.1	92.5	96.3	115	129	128	146																
	$P_{G2}$	76.4	107	122	167	191	232	243	353	411	454	520	581	617	722	787												
	$P_{G3}$	84.7	136	150	235	265	357	383	499	665	777	877	1155	1219	1375	1503												
	$P_{G4}$	117	189	208	322	359	485	514	707	913	1060	1195	1525	1608	1872	2033												
20	$P_{G1}$	34	45.6	52.6	68.8	78	89.8	100	112	124	126	140																
	$P_{G2}$	72.1	103	118	161	182	223	251	339	385	428	480	568	599	708	736	839											
	$P_{G3}$	80.1	131	145	225	249	342	392	476	616	729	800	1114	1165	1332	1379												
	$P_{G4}$	111	181	201	307	340	466	529	676	848	996	1092	1475	1542	1815	1876												
22.4	$P_{G1}$	33.3	45.1	51.4	67.2	76.7	88.6	93.9	110	128	126	148																
	$P_{G2}$	70.3	101	115	155	177	218	231	324	388	412	489	559	586	702	722	836											
	$P_{G3}$	77.9	130	142	218	242	332	360	443	617	683	811	1061	1121	1282	1332												
	$P_{G4}$	108	180	195	296	330	452	485	632	850	936	1107	1412	1490	1756	1818												
25	$P_{G1}$	31.9	43.3	50.1	66.2	75.2	86.9	92.8	109	130	128	150	153	160														
	$P_{G2}$	66.7	96.6	110	151	170	209	223	307	375	395	466	537	585	681	732												
	$P_{G3}$	73.6	122	135	208																							





直交轴齿轮箱 热容量

Bevel-helical gear units Thermal Capacities

类型 JRHB3...,JRHB4.. 规格 4-28

Type JRHB3...,JRHB4.. Sizes 4-28

		热容量 Thermal Capacities																																									
		齿轮箱规格 Gear unit Sizes																																									
i <sub>N</sub>		4	5	6	7	8	9	10	11	12	13	14	15	16	17	18	19	20	21	22	23	24	25	26	27	28																	
		热容量 P <sub>G</sub> (kW) 取决于冷却方式: P <sub>G1</sub> : 无辅助冷却装置; P <sub>G2</sub> : 带冷却风扇; P <sub>G3</sub> : 带冷却盘管; P <sub>G4</sub> : 带风扇和冷却盘管 Thermal capacity P <sub>G</sub> (in kW) dependent on kind of cooling: P <sub>G1</sub> : without auxiliary cooling, P <sub>G2</sub> : fan cooling, P <sub>G3</sub> : cooling coil, P <sub>G4</sub> : fan and cooling coil.																																									
31.5	P <sub>G1</sub>	29.4	40.7	47.8	61.7	72.7	82.7	90.7	106	129	131	154	170	183	190	199	216	227																									
	P <sub>G2</sub>	60.7	88.5	103	136	160	190	210	282	344	365	430	508	58	658	712	799	863	831	871																							
	P <sub>G3</sub>	65.2	108	126	180	215	271	312	356	508	550	658	857	952	1067	1165																											
	P <sub>G4</sub>	90.8	149	175	247	292	370	424	514	709	766	912	1162	1288	1487	1620																											
35.5	P <sub>G1</sub>	27.8	38.6	46.4	59.1	69.8	79.6	87.7	105	125	130	151	173	181	196	203	228	235																									
	P <sub>G2</sub>	56.8	83	99.8	129	152	181	199	271	328	353	412	495	526	644	677	786	825	821	839																							
	P <sub>G3</sub>	59.9	99.3	119	167	200	248	292	338	475	524	615	819	871	1021	1071																											
	P <sub>G4</sub>	83.7	138	166	229	272	341	396	487	661	732	855	1114	1181	1429	1498																											
40	P <sub>G1</sub>	24.3	33.7	44.3	52	67.1	75	84.4	100	121	125	147	168	180	194	204	226	240	208																								
	P <sub>G2</sub>	49.4	71.6	94.6	112	144	168	191	255	310	334	392	469	510	614	657	747	805	783	822																							
	P <sub>G3</sub>	50.5	82.7	111	138	187	224	274	310	440	484	574	758	829	954	1022																											
	P <sub>G4</sub>	70.6	115	155	191	254	309	372	449	616	678	798	1035	1129	1339	1434																											
45	P <sub>G1</sub>	23.8	32.9	41.8	50.8	64	69.4	80.8	93.2	118	117	144	160	176	187	203	221	240	207	206																							
	P <sub>G2</sub>	48.3	69.8	88.5	108	137	154	180	234	298	306	377	434	484	572	629	700	765	733	785																							
	P <sub>G3</sub>	49	79.7	102	133	172	202	251	280	417	435	544	684	768	868	960																											
	P <sub>G4</sub>	68.7	111	142	183	236	279	342	407	585	607	760	936	1049	1221	1346																											
50	P <sub>G1</sub>	24.2	33	36.8	50.7	56.9	69.3	77	95.8	115	124	142	174	174	210	204	240	247	260	232																							
	P <sub>G2</sub>	48.7	69.2	76.9	106	119	151	169	232	281	310	358	445	453	593	594	690	730	799	757																							
	P <sub>G3</sub>	49.1	77.7	85.8	129	144	194	228	274	384	433	506	692	696	884	880																											
	P <sub>G4</sub>	68.5	108	119	177	197	269	312	396	539	610	709	944	956	1242	1240																											
56	P <sub>G1</sub>	22.4	30.7	36.2	47.5	55.7	64.8	72	88.9	108	117	135	167	186	203	225	245	260	271	279																							
	P <sub>G2</sub>	44.8	64	75.1	99.5	116	140	155	211	260	285	330	411	461	552	612	675	712	772	818																							
	P <sub>G3</sub>	44.2	70.1	82.9	117	138	174	206	243	345	389	451	622	702	800	891																											
	P <sub>G4</sub>	62.1	98.3	115	162	190	241	281	354	488	547	637	852	962	1128	1255																											
63	P <sub>G1</sub>	21.6	29.5	36	46.1	55.2	62.8	71	86.3	108	114	138	162	173	199	211	243	256	272	275																							
	P <sub>G2</sub>	43.2	61.6	74.2	96.2	114	135	151	203	255	275	332	393	422	529	563	654	689	752	776																							
	P <sub>G3</sub>	41.9	66.2	80.8	111	134	164	197	229	335	366	451	585	627	755	805																											
	P <sub>G4</sub>	58.9	93	112	154	185	229	269	334	471	517	633	802	862	1071	1133																											
71	P <sub>G1</sub>	20	28.2	33.3	43.9	51.4	59	65.9	80.2	99.9	107	127	155	167	190	205	232	251	261	273																							
	P <sub>G2</sub>	40	58.5	68.4	91.7	106	126	140	189	232	258	302	372	404	498	539	615	666	707	754																							
	P <sub>G3</sub>	38	61.3	73	103	122	148	177	206	297	331	404	538	591	698	760																											
	P <sub>G4</sub>	53.7	86.5	102	143	168	209	243	301	421	469	567	743	813	990	1075																											
80	P <sub>G1</sub>		31.7	31.9	46.9	49.7	66.1	63.8	98.6	95.8	130	123	171	161	189	196	256	240	343	262																							
	P <sub>G2</sub>			65.9		102		136		224		291		384		507		626		710																							
	P <sub>G3</sub>			68.8		115		167		278		379		544		700																											
	P <sub>G4</sub>			96.7		160		231		396		536		751		994																											
90	P <sub>G1</sub>		31.1	30.5	45.5	47.4	64.7	60	95.9	89.6	128	115	164	175	183	195	248	264	337	345																							
	P <sub>G2</sub>			62.7		97.6		127		208		273		373		507																											
	P <sub>G3</sub>			63.8		107		151		249		343		487		651																											
	P <sub>G4</sub>			90.1		149		210		357		487		687		941																											
100	P <sub>G1</sub>		29.6	34	43.1	50.2	61.5	66.7	92.4	110	121	140	156	169	173	188	236	255	321	339																							
112	P <sub>G1</sub>		28.6	33.3	41.5	48.8	59.2	65.3	88.3	106	116	137	149	161	167	179	227	243	315	323																							
125	P <sub>G1</sub>		27.4	31.8	39.7	46.2	56.6	62.1	84.8	102	112	130	143	155	159	172	218	234	300	318																							
140	P <sub>G1</sub>		26.1	30.7	37.8	44.6	53.5	59.9	80.4	97.8	107	125	139	148	155	165	211	225	294	304																							
160	P <sub>G1</sub>		24.1	29.4	34.5	42.7	49	57.2	73.6	94.1	101	121	132	143	147	160	202	218	281	298																							
180	P <sub>G1</sub>		23.6	28.1	33.7	40.7	47.9	54.3	71.8	89.3	96.5	114	125	136	140	152	190	208	266	286																							
200	P <sub>G1</sub>		22.8	25.9	33.5	37.2	47	49.8	70.5	81.9	94.7	109	124	130	139	146	191	196	260	271																							
224	P <sub>G1</sub>		21.3	25.4	31.2	36.4	44	48.6	66.5	80.2	89.1	104	117	128	130	144	181	198	246	266																							
250	P <sub>G1</sub>		20.8	24.5	30.2	36	42.5	47.8	64.5	78.6	86.6	101	114	120	127	136	176	187	241	252																							
280	P <sub>G1</sub>		19.8	22.9	28.4	33.7	40.6	44.8	61.8	74	82.1	95.9	106	117	120	132	167	182	233	247																							
315	P <sub>G1</sub>		18.6	22.3	26.6	32.4	38.2	43.2	57.8	71.6	78.4	92.7	100	110	113	124	158	172	217	236																							
355	P <sub>G1</sub>			21.3		30.4		41.2		68.4		87.6		103		117		162		220																							
400	P <sub>G1</sub>			19.9		28.6		38.9		63.8		83.4																															



平行轴齿轮箱 额定输出扭矩

类型 JRHH1...,JRHH2...,JRHH3...,JRHH4..

规格 3-28

Helical gear units Nominal Output Torques

Type JRHH1...,JRHH2...,JRHH3...,JRHH4..

Sizes 3-28

i <sub>N</sub>	传动比i <sub>N</sub> ,额定输出扭矩T <sub>2N</sub>													Nominal ratio i <sub>N</sub> , Nominal Output Torques T <sub>2N</sub>													
	齿轮箱规格													Gear unit Sizes													
	3	4	5	6	7	8	9	10	11	12	13	14	15	16	17	18	19	20	21	22	23	24	25	26	27	28	
	额定输出扭矩T <sub>2N</sub> (kNm)													Nominal Output Torques T <sub>2N</sub> (kNm)													
1.25	2.9		7.8		15.2		24.7																				
1.4	3.1		8.2		15.9		25.6																				
1.6	3.3		8.6		16.3		27.1		46		67.4																
1.8	2.7		8.8		17.4		28		47.6		70.9																
2	2.8		9.4		17.8		28.7		49.1		72.9		129														
2.24	2.8		9.6		17.8		28.7		50.6		75.3		130														
2.5	2.9		9.6		17.8		28.7		50.6		77		117														
2.8	3.1		9.6		17.1		27.2		50.6		77		120		171												
3.15	3.1		9.6		17.4		28.1		48.1		73.1		124		173												
3.55	3.2		9.5		17.8		28.6		50.2		74.4		126		173												
4	3.2		9.6		17.8		28.7		50.6		75.7		130		173		245										
4.5	2.5	6.3	7.7		15.8		24.6		46		61.6		109		146		216										
5	2.4	6.3	7.2		13.8		23.5		38.7		58.3		95		124		174										
5.6	2.3	6.3	6.9		13.1		20.1		36.5		55.4		90.4		118		150										
6.3	3.3	6.3	10.7		20.3		33.7		59.3		86		143		195		292				500		800				
7.1	3.3	6.5	11.2		20.3		33.7		59.3		86		143	160	195	230	292	335	410		520	565	825	910			
8	3.3	6.7	11.2	13.5	20.3	25.6	33.7	42.2	59.3	73.8	86	107	143	160	195	230	292	335	410	458	540	585	860	940	1055		
9	3.3	6.7	11.2	14.4	20.3	25.6	33.7	42.2	59.3	73.8	86	107	143	160	195	230	292	335	410	458	555	610	860	985	1085	1205	
10	3.3	6.3	10.5	14.4	20.3	25.6	33.7	42.2	59.3	73.8	86	107	143	160	195	230	292	335	410	458	575	625	860	1020	1130	1240	
11.2	3.3	6.3	10.6	14.4	20.3	25.6	33.7	42.2	59.3	73.8	86	107	143	160	195	230	292	335	410	458	575	645	860	1030	1175	1285	
12.5	3.3	6.7	11.2	13.5	20.3	25.6	33.7	42.2	59.3	73.8	86	107	143	160	195	230	292	335	410	458	600	650	860	1030	1210	1340	
14	3.3	6.7	11.2	13.5	20.3	25.6	33.7	42.2	59.3	73.8	86	107	143	160	195	230	292	335	410	458	620	675	860	1030	1230	1375	
16	3.3	6.7	11.2	14.4	20.3	25.5	33.7	42.2	59.3	73.8	86	107	143	160	195	230	292	335	410	458	640	695	860	1030	1230	1400	
18	3.3	6.3	10.5	14.4	19	25.6	33.7	42.2	59.3	73.8	86	107	143	160	195	230	292	335	410	458	640	725	860	1030	1230	1400	
20	3.3	6.6	11.2	14.4	19	25.6	33.7	42.2	59.3	73.8	86	107	143	160	195	230	292	335	410	458	585	725	860	1030	1150	1400	
22.4	3.3	6.3	10.9	13.5	19.8	24	33.1	42.2	58.3	73.8	88	107	153	160	200	230	300	335	410	458	600	660	860	910	1230	1310	
25			11.6	14.3	21.7	24	35.7	42.2	63.5	73.8	88	107	153	173	200	240	300	335	420	458	620	675	860	1030	1230	1400	
28			11.6	13.9	21.7	25	35.7	41.6	63.5	72.5	88	109	153	173	200	240	300	345	420	470	640	700	860	1030	1230	1400	
31.5			11.6	15.5	21.7	27.2	35.7	43.8	63.5	77.2	88	109	153	173	200	240	300	345	420	470	640	725	860	1030	1230	1400	
35.5			11.6	15.5	21.7	27.2	35.7	43.8	63.5	77.2	88	109	153	173	200	240	300	345	420	470	640	725	860	1030	1230	1400	
40			11.6	15.5	21.7	27.2	35.7	43.8	63.5	77.2	88	109	153	173	200	240	300	345	420	470	640	725	860	1030	1230	1400	
45			11.6	15.5	21.7	27.2	35.7	43.8	63.5	77.2	88	109	153	173	200	240	300	345	420	470	640	725	860	1030	1230	1400	
50			11.6	15.5	21.7	27.2	35.7	43.8	63.5	77.2	88	109	153	173	200	240	300	345	420	470	640	725	860	1030	1230	1400	
56			11.6	15.5	21.7	27.2	35.7	43.8	63.5	77.2	88	109	153	173	200	240	300	345	420	470	640	725	860	1030	1230	1400	
63			11.6	15.5	21.7	27.2	35.7	43.8	63.5	77.2	88	109	153	173	200	240	300	345	420	470	640	725	860	1030	1230	1400	
71			11.6	15.5	21.7	27.2	35.7	43.8	63.5	77.2	88	109	153	173	200	240	300	345	420	470	640	725	860	1030	1230	1400	
80			11.6	15.5	21.7	27.2	35.7	43.8	63.5	77.2	88	109	153	173	200	240	300	345	420	470	640	725	860	1030	1230	1400	
90			11.6	15.5	20	27.2	34.5	43.8	61.6	77.2	88	109	153	173	200	240	290	345	410	470	585	725	800	1030	1150	1400	
100				14.5	21.7	27.2	35.7	43.8	61.6	77.2	90.7	109	153	173	200	226	300	345	420	465	640	660	860	910	1230	1310	
112				15	21.7	25.2	35.7	42.8	61.6	77.2	90.7	109	153	173	200	240	300	345	420	470	640	725	860	1030	1230	1400	
125					21.7	27.2	35.7	44.2	61.6	78	90.7	113	153	173	200	240	300	345	420	470	640	725	860	1030	1230	1400	
140					21.7	27.2	35.7	44.2	61.6	78	90.7	113	153	173	200	240	300	345	420	470	640	725	860	1030	1230	1400	
160					21.7	27.2	35.7	44.2	61.6	78	90.7	113	153	173	200	240	300	345	420	470	640	725	860	1030	1230	1400	
180					21.7	27.2	35.7	44.2	61.6	78	90.7	113	153	173	200	240	300	345	420	470	640	725	860	1030	1230	1400	
200					21.7	27.2	35.7	44.2	61.6	78	90.7	113	153	173	200	240	300	345	420	470	640	725	860	1030	1230	1400	
224					21.7	27.2	35.7	44.2	61.6	78	90.7	113	153	173	200	240	300	345	420	470	640	725	860	1030	1230	1400	
250					21.7	27.2	35.7	44.2	61.6	78	90.7	113	153	173	200	240	300	345	420	470	640	725	860	1030	1230	1400	
280					21.7	27.2	35.7	44.2	61.6	78	90.7	113	153	173	200	240	300	345	420	470	640	725	860	1030	1230	1400	
315					21.7	27.2	35.7	44.2	61.6	78	90.7	113	153	173	200	240	300	345	420	470	640	725	860	1030	1230	1400	
355					19.6	27.2	35.7	44.2	61.6	78	90.7	113	140	173	192	240	290	345	410	470	585	725	800	1030	1150	1400	
400						27.2		44.2		78		113		158		223		335		465		660		910		1310	
450						25.3		42.8		78		113															



直交轴齿轮箱 额定输出扭矩  
 类型 JRHB2...,JRHB3..., JRHB4 规格 4-28

Bevel-helical gear units Nominal Output Torques  
 Type JRHH2...,JRHH3.. Sizes 4-28

传动比 <i>i<sub>N</sub></i> ,额定输出扭矩 <i>T<sub>2N</sub></i> / Nominal ratio <i>i<sub>N</sub></i> ,Nominal Output Torques <i>T<sub>2N</sub></i>																											
<i>i<sub>N</sub></i>	齿轮箱规格														Gear unit Sizes												
	4	5	6	7	8	9	10	11	12	13	14	15	16	17	18	19	20	21	22	23	24	25	26	27	28		
	额定输出扭矩 <i>T<sub>2N</sub></i> (kNm) Nominal Output Torques <i>T<sub>2N</sub></i> (kNm)																										
5	6.1	9.4		19		29.9		46		68.6		122															
5.6	6.2	9.4		19		29.9		48.1		69.6		122	135	195													
6.3	6.2	9.4	12	19	23.8	29.9	38	50.2	58.8	73.8	85.2	130	141	195													
7.1	6.2	9.4	12	19	23.8	29.9	38	52.4	60.9	75.9	87.3	132	145	195	230												
8	6.2	9.4	12	19	23.8	29.9	38	54	63.1	80	91.5	132	148	195	230												
9	6.2	9.4	12	19	23.8	29.9	38	54	65.2	81.1	94	132	148	195	230												
10	6.2	9.4	12	19	23.8	29.9	38	54	66.3	81.1	98.8	132	148	195	230												
11.2	6.2	9.4	12	19	23.8	29.9	38	54	66.3	81.1	101	132	148	195	230												
12.5	5.5	9.4	12	17	23.8	28	38	52.4	66.3	79.5	101	137	148	195	230	250		340									
14	6	9.8	12	18.2	23.8	29.5	38	56.7	66.3	81.6	101	142	148	195	230	262	295	360	405								
16	6.6	10.5	12	19.8	21.5	31	35.6	59.9	66.3	83.8	99.4	148	154	200	230	275	308	380	422								
18	6.7	11.3	12.6	21.1	23.1	33.9	37.5	62	69.5	86.7	102	153	160	200	240	288	320	400	438								
20	6.7	11.6	13.2	21.7	25	35.7	39.3	63.5	72.7	90.7	105	153	167	200	240	300	332	420	455	640		860		1230			
22.4	6.7	11.6	14.2	21.7	26.5	35.7	41.8	63.5	75.6	90.7	108	153	173	200	240	300	345	420	470	640	725	860	1030	1230	1400		
25	6.7	11.6	15.5	21.7	27.2	35.7	43.8	63.5	77.2	90.7	113	153	173	200	240	300	345	420	470	640	725	860	1030	1230	1400		
28	6.7	11.6	15.5	21.7	27.2	35.7	43.8	63.5	77.2	90.7	113	153	173	200	240	300	345	420	470	640	725	860	1030	1230	1400		
31.5	6.7	11.6	15.5	21.7	27.2	35.7	43.8	63.5	77.2	90.7	113	153	173	200	240	300	345	420	470	640	725	860	1030	1230	1400		
35.5	6.7	11.6	15.5	21.7	27.2	35.7	43.8	63.5	77.2	90.7	113	153	173	200	240	300	345	420	470	630	725	860	1030	1230	1400		
40	6.7	11.6	15.5	21.7	27.2	35.7	43.8	63.5	77.2	90.7	113	153	173	200	240	300	345	420	470	630	700	860	1030	1230	1400		
45	6.7	11.6	15.5	21.7	27.2	35.7	43.8	63.5	77.2	90.7	113	153	173	200	240	300	345	420	470	630	700	860	1030	1230	1400		
50	6.7	11.6	15.5	21.7	27.2	35.7	43.8	63.5	77.2	90.7	113	153	173	200	240	300	345	420	470	630	700	860	1030	1230	1400		
56	6.7	11.6	15.5	21.7	27.2	35.7	43.8	63.5	77.2	90.7	113	153	173	200	240	300	345	420	470	630	700	860	1030	1230	1400		
63	6.6	11.4	15.5	21.4	27.2	35.7	43.8	63.5	77.2	90.7	113	153	173	200	240	300	345	420	470	630	700	860	1030	1230	1400		
71	6.6	11	15.5	20	27.2	34	43.8	60	77.2	90.7	113	153	173	200	240	300	345	420	470	630	700	800	1030	1150	1400		
80		11.6	14	21.7	26.9	35.7	43.8	61.6	77.2	90.7	113	153	173	200	240	300	345	420	470	640	700	840	910	1225	1310		
90		11.6	14	21.7	25.2	35.7	43	61.6	75	90.7	113	153	173	200	240	300	345	420	470	640	725	850	960	1225	1400		
100		11.6	15.5	21.7	27.2	35.7	44.2	61.6	78	90.7	113	153	173	200	240	300	345	420	470	640	725	860	970	1220	1400		
112		11.6	15.5	21.7	27.2	35.7	44.2	61.6	78	90.7	113	153	173	200	240	300	345	420	470	640	725	860	990	1220	1400		
125		11.6	15.5	21.7	27.2	35.7	44.2	61.6	78	90.7	113	153	173	200	240	300	345	420	470	640	725	860	990	1215	1400		
140		11.6	15.5	21.7	27.2	35.7	44.2	61.6	78	90.7	113	153	173	200	240	300	345	420	470	640	725	860	1030	1215	1400		
160		11.6	15.5	21.7	27.2	35.7	44.2	61.6	78	90.7	113	153	173	200	240	300	345	420	470	640	725	860	1030	1210	1400		
180		11.6	15.5	21.7	27.2	35.7	44.2	61.6	78	90.7	113	153	173	200	240	300	345	420	470	640	725	860	1030	1210	1400		
200		11.6	15.5	21.7	27.2	35.7	44.2	61.6	78	90.7	113	153	173	200	240	300	345	420	470	640	725	860	1030	1205	1400		
224		11.6	15.5	21.7	27.2	35.7	44.2	61.6	78	90.7	113	153	173	200	240	300	345	420	470	640	725	860	1030	1205	1400		
250		11.6	15.5	21.7	27.2	35.7	44.2	61.6	78	90.7	113	153	173	200	240	300	345	420	470	630	725	860	1030	1200	1400		
280		11.6	15.5	21.7	27.2	35.3	44.2	61.6	78	90.7	113	153	173	200	240	300	345	420	470	610	710	860	1030	1200	1400		
315		11.2	15.5	20.5	27.2	34	44.2	60	78	90.7	113	153	173	200	240	300	345	420	470	585	690	800	1030	1150	1400		
355			15.5		26.5		44.2		78		113		173		240		345		470		660		910		1310		
400			14.5		25.5		43		75		113																



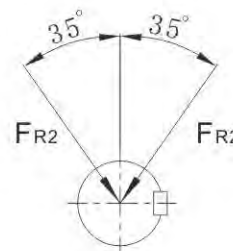
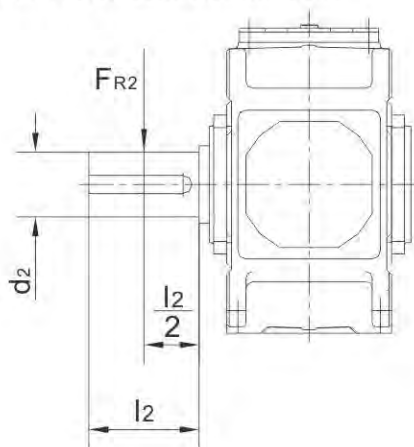
工业齿轮箱 输出轴 $d_2$ 上允许的附加径向力1)

类型 JRHH1SH, JRHH2S., JRHH3S.,  
JRHH4S., JRHB2S., JRHB3S., JRHB4S.

Industrial Gear Units Permissible Additional Radial Forces on Output Shaft  $d_2$  1)

Type JRHH1SH, JRHH2S., JRHH3S.,  
JRHH4S., JRHB2S., JRHB3S., JRHB4S.

作用力在轴伸中部  
Application of force on centre of shaft end



允许的作用力方向  
Permissible direction of force

轴伸中部允许的附加径向力 $F_{R2}$ (kN) <sup>3)</sup> Permissible additional radial forces $F_{R2}$ in kN with application of force on centre of shaft end <sup>3)</sup>																	
类型 Type	布置形式 Design	齿轮箱规格 Gear unit sizes 1), 4)															
		3	4	5	6	7	8	9	10	11	12	13	14	15	16	17	18
JRHH1SH	A/B	2)	-	2)	-	2)	-	2)	-	2)	-	2)	-	2)	-	2)	-
JRHH2S.	A/B/G/H	-	10	22	22	30	30	30	45	64	64	150	150	140	205	205	205
	C/D	-	10	13	13	18	18	10	28	35	35	112	112	85	135	135	135
JRHH3S.	A/B/G/H	-	10	29	29	40	40	40	60	85	85	190	190	185	265	265	265
	C/D	-	-	18	18	26	26	18	40	50	50	150	150	120	185	185	190
JRHH4S.	A/B	-	-	-	-	26	26	18	40	50	50	150	150	120	185	185	190
	C/D	-	-	-	-	40	40	40	60	85	85	190	190	185	265	265	265
JRHB2S.	A/C	-	13	27	27	37	37	38	55	78	78	160	160	150	210	210	210
	B/D	-	12	15	15	17	17	10	30	35	38	110	110	75	145	100	100
JRHB3S.	A/C	-	12	29	29	40	40	40	60	85	85	190	190	185	265	265	265
	B/D	-	14	18	18	26	26	18	40	50	50	150	150	120	185	185	190
JRHB4S.	A/C	-	9	29	29	40	40	40	60	85	85	190	190	185	265	265	265
	B/D	-	-	18	18	26	26	18	40	50	50	150	150	120	185	185	190

1) 表中数据为最小值。如果给定了力的作用角和回转方向，通常情况下，可允许承受较大的附加力。请咨询杰牌。

2) 根据用户要求供货。

3) 当作用力不在轴端中部时，请参见第37页

4) 基础螺栓的最低性能等级为8.8级。基础必须干燥，不得有油脂。请咨询杰牌：  
输入轴 $d_1$ 上允许的附加径向力

1) Values in tables are minimum values. If the angle of application of force and the direction of rotation are give, significantly higher additional forces can mostly be allowed. Please refer to JIE.

2) On request

3) For application of force outside the centre of the shaft end, see page 37.

4) Use foundation bolts of min. property class 8.8. Foundation must be dry and gerase-free. Please refer to JIE.  
Permissible additional radial forces on input shaft  $d_1$ .

工业齿轮箱 输出轴d2上允许的附加径向力1)  
 类型 JRHH1SH, JRHH2S., JRHH3S.,  
 JRHH4S., JRHB2S., JRHB3S., JRHB4S.

Industrial Gear Units Permissible Additional Radial Forces on Output Shaft d2 1)  
 Type JRHH1SH, JRHH2S., JRHH3S., JRHH4S.,  
 JRHB2S., JRHB3S., JRHB4S.

作用力不在轴伸中部  
 Application of force on outside the  
 centre of the shaft end

$F_{R22}$  允许的外部径向力  
 Permissible external radial force

$F_{R2}$  轴伸中部允许的附加径向力, 根据  
 第36页上的表确定  
 Permissible additional radial force  
 acc. to table page 36.

K 作用力系数根据下表确定  
 Factor of application of force acc.  
 to table

$F_{R22} = F_{R2} \times K$

作用力系数k Factor of application of force k															
规格 Size	距离 Z ( mm )								Distance Z ( mm )						
	-200	-150	-100	-75	-50	-25	0	25	50	75	100	150	200	250	300
3					1.21	1.09	1.00	0.85	0.74	0.65	0.58	0.48			
4					1.17	1.08	1.00	0.86	0.74	0.68	0.62	0.52	0.44		
5+6				1.22	1.14	1.06	1.00	0.88	0.79	0.72	0.66	0.56	0.49	0.43	
7+8				1.19	1.12	1.06	1.00	0.89	0.81	0.74	0.68	0.58	0.51	0.46	0.41
9+10			1.22	1.15	1.10	1.05	1.00	0.90	0.82	0.76	0.70	0.61	0.54	0.48	0.44
11+12			1.18	1.13	1.08	1.04	1.00	0.91	0.84	0.78	0.73	0.64	0.57	0.51	0.47
13+14		1.24	1.15	1.11	1.07	1.03	1.00	0.92	0.86	0.80	0.75	0.67	0.60	0.55	0.50
15+16		1.20	1.12	1.09	1.06	1.03	1.00	0.93	0.87	0.82	0.77	0.69	0.63	0.58	0.53
17+18	1.25	1.17	1.11	1.08	1.05	1.03	1.00	0.94	0.88	0.84	0.79	0.72	0.66	0.60	0.56



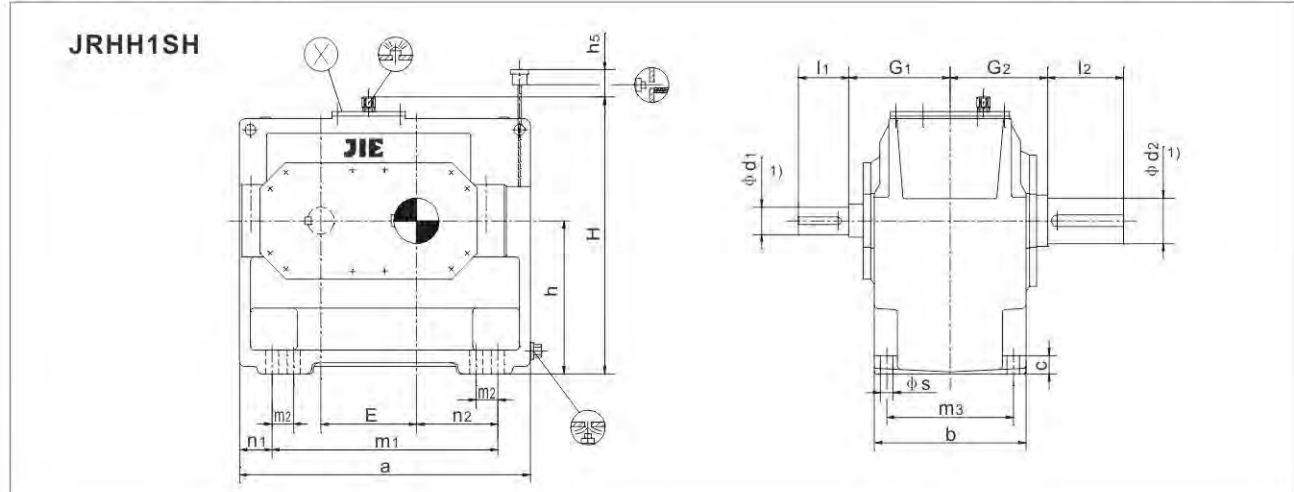


# 七. 产品尺寸

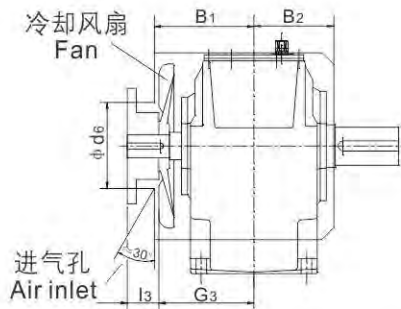
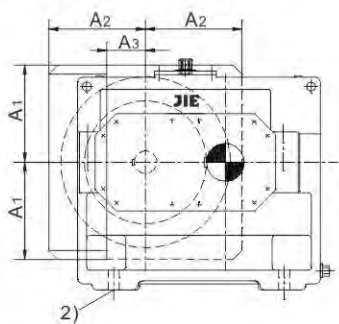
## Product Dimension

平行轴齿轮箱  
 单级传动 卧式安装  
 类型 JRHH1SH 规格 3-19

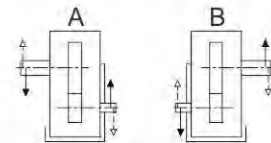
Helical gear units  
 Single Stage Horizontal  
 Type JRHH1SH Sizes 3-19



**JRHH1SH** 规格 / Sizes 3-11  
 带冷却风扇 / With Fan

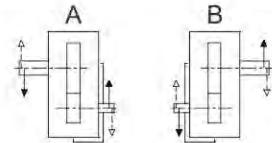
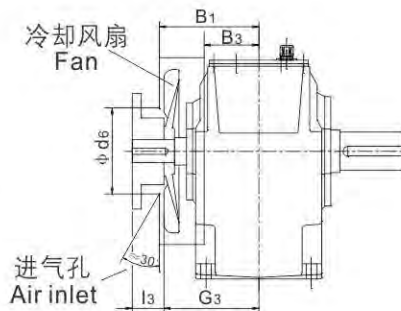
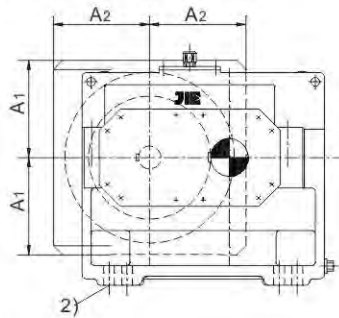


布置形式  
 Design



规格 / Sizes 3-11

**JRHH1SH** 规格 / Sizes 13-19  
 带冷却风扇 / With Fan



规格 / Sizes 13-19

1)  $m6 \leq \phi 100; n6 > \phi 100$   
 平键槽、轮毂键槽、平键和中心孔的具体尺寸，  
 见第98-99页  
 2) 油泵、油管和护盖所需的尺寸，欲了解  
 精确尺寸，请咨询杰牌。

1)  $m6 \leq \phi 100; n6 > \phi 100$   
 Keyway, Hubkeyway, Parallel key, see pages 98-99.  
 2) Space for pump, pipes and cover; for exact dimensions,  
 Please refer to JIE.

平行轴齿轮箱  
 单级传动 卧式安装  
 类型 JRHH1SH 规格 3-19

Helical gear units  
 Single Stage Horizontal  
 Type JRHH1SH Sizes 3-19



规格 Size	尺寸/Dimension (mm)																
	输入轴/Input																
	i <sub>N</sub> =1.25-2.8			i <sub>N</sub> =1.6-2.8			i <sub>N</sub> =2-2.8			i <sub>N</sub> =3.15-4			i <sub>N</sub> =4.5-5.6			G <sub>1</sub>	G <sub>3</sub>
	d <sub>1</sub>	l <sub>1</sub>	l <sub>3</sub>	d <sub>1</sub>	l <sub>1</sub>	l <sub>3</sub>	d <sub>1</sub>	l <sub>1</sub>	l <sub>3</sub>	d <sub>1</sub>	l <sub>1</sub>	l <sub>3</sub>	d <sub>1</sub>	l <sub>1</sub>	l <sub>3</sub>		
3	60	125	105							45	100	80				170	190
5	85	160	130							60	135	105	50	110	80	210	240
7	100	200	165							75	140	105	60	140	105	250	285
9	110	200	165							90	165	130	75	140	105	280	315
11				130	240	205				110	205	170	90	170	135	325	360
13				150	245	200				130	245	200	100	210	165	365	410
15							180	290	240	150	250	200	125	250	200	360	410
17							200	330	280	170	290	240	140	250	200	400	450
19							220	340	290	190	340	290	160	300	250	440	490

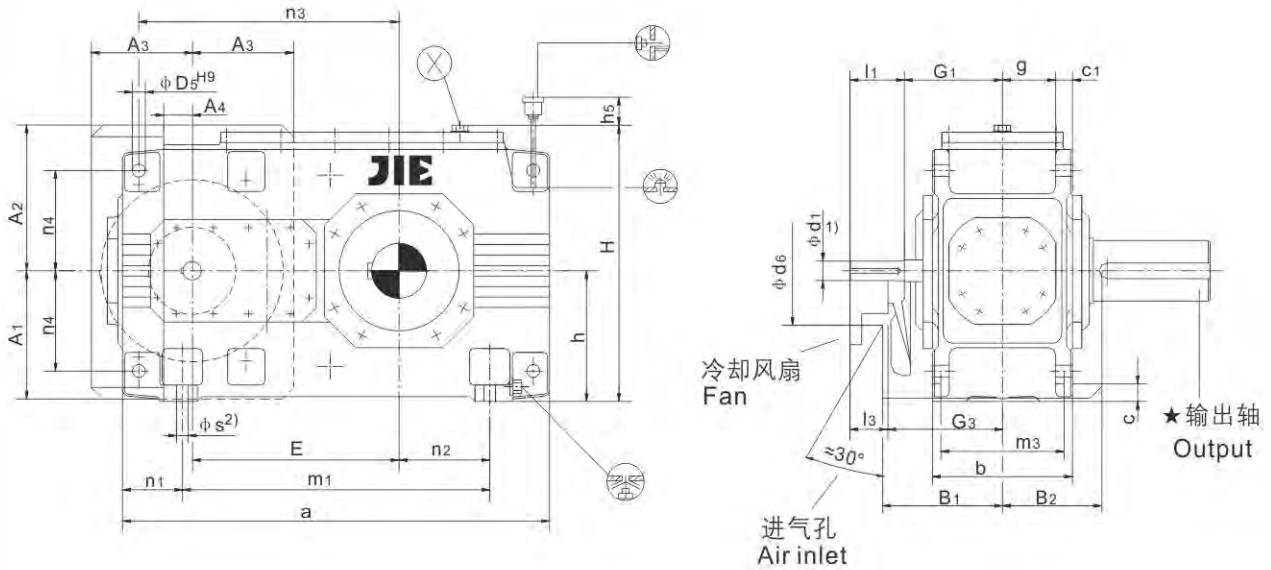
规格 Size	尺寸/Dimension (mm)																			
	齿轮箱/Gear units																			
	a	A <sub>1</sub>	A <sub>2</sub>	A <sub>3</sub>	b	B <sub>1</sub>	B <sub>2</sub>	B <sub>3</sub>	c	d <sub>6</sub>	E	h	h <sub>5</sub>	H	m <sub>1</sub>	m <sub>2</sub>	m <sub>3</sub>	n <sub>1</sub>	n <sub>2</sub>	s
3	420	150	145	80	200	205	130	-	28	130	130	200	85	375	310	-	160	55	110	19
5	580	225	215	115	285	255	185	-	35	190	185	290	100	525	440	-	240	70	160	24
7	690	255	250	120	375	300	230	-	45	245	225	350	75	625	540	-	315	75	195	28
9	805	300	265	140	425	330	265	-	50	280	265	420	50	735	625	-	350	90	225	35
11	960	360	330	190	515	375	320	-	60	350	320	500	40	875	770	-	440	95	280	35
13	1100	415	350	-	580	430	-	150	70	350	370	580	40	1020	870	-	490	115	315	42
15	1295	500	430	-	545	430	-	120	80	450	442	600	10	1115	1025	-	450	135	370	48
17	1410	550	430	-	615	470	-	150	80	445	490	670	-	1235	1170	130	530	120	425	42
19	1590	630	475	-	690	510	-	190	90	445	555	760	-	1395	1290	150	590	150	465	48

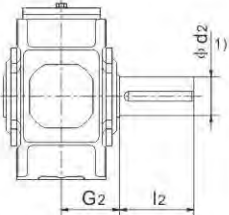
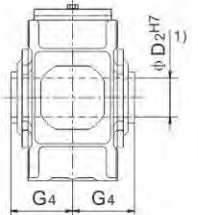
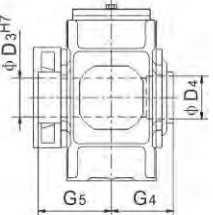
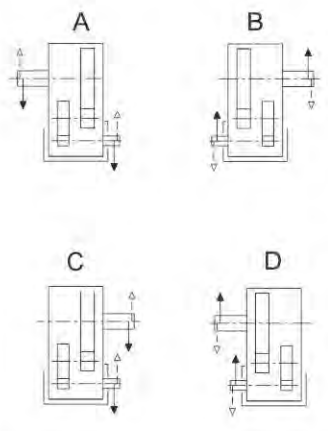
规格 Size	尺寸/Dimension (mm)			润滑油/Oil (L)		重量/Weight (kg)
	输出轴/Output			轴封	迷宫式密封	
	d <sub>2</sub>	G <sub>2</sub>	l <sub>2</sub>	Shaft seal	Labyrinth seal	
3	60	170	125	7	5.2	128
5	85	210	160	22	19	308
7	105	250	200	42	36	558
9	125	270	210	68	60	879
11	150	320	240	120	106	1545
13	180	360	310	175	155	2443
15	220	360	350	190	156	3264
17	240	400	400	270	225	4335
19	270	440	450	390	330	5916

平行轴齿轮箱  
 两级传动 卧式安装  
 类型 JRHH2.H 规格 3-12

Helical gear units  
 Two Stage Horizontal  
 Type JRHH2.H Sizes 3-12

JRHH2SH JRHH2HH JRHH2DH



★输出轴 / Output			布置形式 / Design
<p><b>JRHH2SH</b>                      实心轴                      Solid shaft</p> 	<p><b>JRHH2HH</b>                      空心轴                      Hollow shaft</p> 	<p><b>JRHH2DH</b>                      带胀紧盘的空心轴                      Hollow shaft for shrink disk</p> 	
<p>1) <math>m6 \leq \phi 100; n6 &gt; \phi 100</math>                      平键槽、轮毂键槽、平键和中心孔的具体尺寸，                      见第98-99页</p> <p>2) 在安装地脚螺栓前应拆下风扇罩。</p>			<p>1) <math>m6 \leq \phi 100; n6 &gt; \phi 100</math>                      Keyway, Hubkeyway, Parallel key, see pages 98-99.</p> <p>2) Remove air guide cover before fitting foundation bolts.</p>



平行轴齿轮箱  
 两级传动 卧式安装  
 类型 JRHH2H 规格 3-12

Helical gear units  
 Two Stage Horizontal  
 Type JRHH2H Sizes 3-12



规格 Size	尺寸/Dimension (mm)													
	输入轴/Input													
	i <sub>N</sub> =6.3-11.2 <sup>1)</sup>			i <sub>N</sub> =8-14			i <sub>N</sub> =12.5-22.4			i <sub>N</sub> =16-28			G <sub>1</sub>	G <sub>3</sub>
	d <sub>1</sub>	l <sub>1</sub>	l <sub>3</sub>	d <sub>1</sub>	l <sub>1</sub>	l <sub>3</sub>	d <sub>1</sub>	l <sub>1</sub>	l <sub>3</sub>	d <sub>1</sub>	l <sub>1</sub>	l <sub>3</sub>		
3	38	82	-										135	-
4	48	100	70										140	170
5	50	100	80				38	80	60				195	215
6				50	100	80				38	80	60	195	215
7	60	135	105				50	110	80				210	240
8				60	135	105				50	110	80	210	240
9	75	140	110				60	140	110				240	270
10				75	140	110				60	140	110	240	270
11	90	165	130				70	140	105				275	310
12				90	165	130				70	140	105	275	310

规格 Size	尺寸/Dimension (mm)											
	齿轮箱/Gear Units											
	a	A <sub>1</sub>	A <sub>2</sub>	A <sub>3</sub>	A <sub>4</sub>	b	B <sub>1</sub>	B <sub>2</sub>	c	c <sub>1</sub>	D <sub>5</sub>	d <sub>6</sub>
3	460	-	-	-	-	190	-	-	22	37±1	18	-
4	575	195	225	150	30	215	190	158	28	30±1	24	136
5	640	225	260	175	55	255	230	177.5	28	30±1	24	150
6	720	225	260	175	55	255	230	177.5	28	30±1	24	150
7	785	272	305	210	70	300	255	210	35	36±1	28	200
8	890	272	305	210	70	300	255	210	35	36±1	28	200
9	925	312	355	240	100	370	285	245	40	45±1.5	36	200
10	1025	312	355	240	100	370	285	245	40	45±1.5	36	200
11	1105	372	420	285	135	430	325	285	50	54±1.5	40	210
12	1260	372	420	285	135	430	325	285	50	54±1.5	40	210

规格 Size	尺寸/Dimension (mm)											
	齿轮箱/Gear Units											
	E	g	h	h <sub>5</sub>	H	m <sub>1</sub>	m <sub>3</sub>	n <sub>1</sub>	n <sub>2</sub>	n <sub>3</sub>	n <sub>4</sub>	s
3	220	58	175	100	350	290	160	85	65	285	132.5	15
4	270	62.5	200	110	400	355	180	110	85	345	150	19
5	315	97.5	230	150	482	430	220	105	100	405	180	19
6	350	97.5	230	150	482	510	220	105	145	440	180	19
7	385	114	280	190	572	545	260	120	130	500	215	24
8	430	114	280	190	582	650	260	120	190	545	215	24
9	450	140	320	205	662	635	320	145	155	585	245	28
10	500	140	320	215	662	735	320	145	205	635	245	28
11	545	161	380	250	782	775	370	165	180	710	300	35
12	615	161	380	250	790	930	370	165	265	780	300	35

规格 Size	尺寸/Dimension (mm)									润滑油/Oil (L)		重量 Weight (kg)
	输出轴/Output									轴封 Shaft seal	迷宫式密封 Labyrinth seal	
	JRHH2SH			JRHH2HH		JRHH2DH						
	d <sub>2</sub>	G <sub>2</sub>	l <sub>2</sub>	D <sub>2</sub>	G <sub>4</sub>	D <sub>3</sub>	D <sub>4</sub>	G <sub>4</sub>	G <sub>5</sub>			
3	65	125	140	-	-	-	-	-	-	7	5	120
4	80	140	170	80	140	85	85	140	205	10	7	190
5	100	165	210	95	165	100	100	165	240	15	11	306
6	110	165	210	105	165	110	110	165	240	16	12	362
7	120	195	210	115	195	120	120	195	280	27	21	515
8	130	195	250	125	195	130	130	195	285	30	23	601
9	140	235	250	135	235	140	145	235	330	42	33	846
10	160	235	300	150	235	150	155	235	350	45	34	979
11	170	270	300	165	270	165	170	270	400	71	58	1361
12	180	270	300	180	270	180	185	270	405	76	60	1647

1) 规格3和4: i<sub>N</sub> = 4.5-22.4

平行轴齿轮箱

两级传动 卧式安装

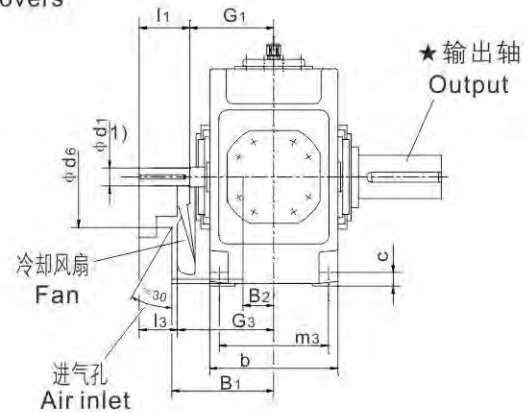
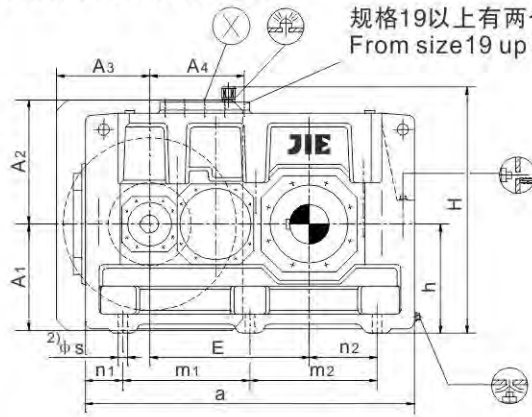
类型 JRHH2.H JRHH2.M 规格 13-22

Helical gear units

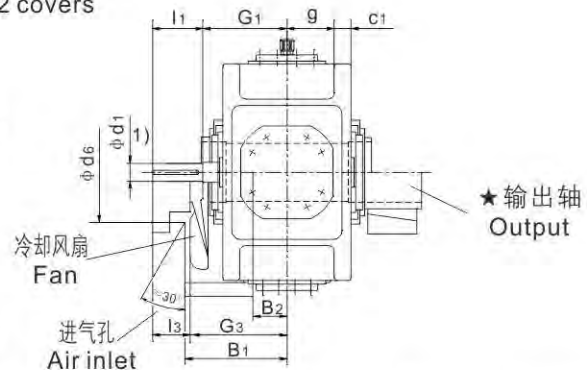
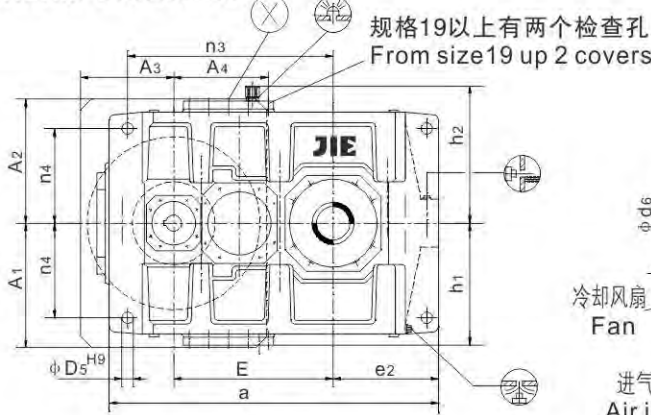
Two Stage Horizontal

Type JRHH2.H JRHH2.M Sizes 13-22

**JRHH2SH JRHH2HH JRHH2DH**



**JRHH2HM JRHH2DM**

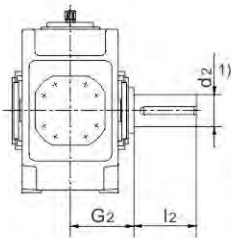


★输出轴 / Output

布置形式 / Design

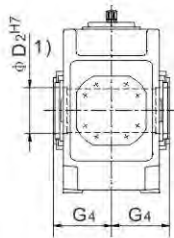
**JRHH2SH**

实心轴  
Solid shaft



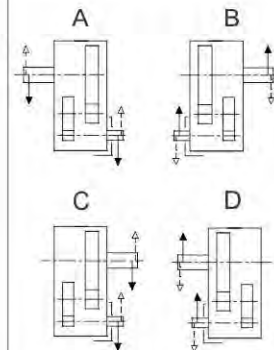
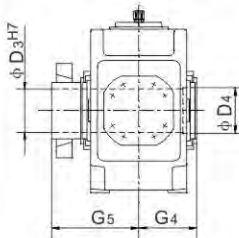
**JRHH2HH<sup>3)</sup>, JRHH2HM<sup>3)</sup>**

空心轴  
Hollow shaft



**JRHH2DH<sup>3)</sup>, JRHH2DM<sup>3)</sup>**

带胀紧盘的空心轴  
Hollow shaft for shrink disk



1)  $m6 \leq \phi 100; n6 > \phi 100$   
平键槽、轮毂键槽、平键和中心孔的具体尺寸，  
见第98-99页

2) 在安装地脚螺栓前应拆下风扇罩。

3) 规格13和15：仅用于 $i_N=6.3-18$ ；规格17和19：  
仅用于 $i_N=6.3-16$ 。

1)  $m6 \leq \phi 100; n6 > \phi 100$   
Keyway、Hubkeyway、Parallel key, see pages 98-99.

2) Remove air guide cover before fitting foundation bolts.

3) Sizes 13 and 15: only  $i_N=6.3-18$ ; Sizes 17 and 19:  
only  $i_N=6.3-16$

平行轴齿轮箱

两级传动 卧式安装

类型 JRHH2H JRHH2M 规格 13-22

Helical gear units

Two Stage Horizontal

Type JRHH2H JRHH2M Sizes 13-22



规格 Size	尺寸/Dimension (mm)															G <sub>1</sub>	G <sub>3</sub>		
	输入轴/Input																		
	i <sub>N</sub> =6.3-11.2			i <sub>N</sub> =7.1-12.5			i <sub>N</sub> =8-14			i <sub>N</sub> =12.5-20			i <sub>N</sub> =14-22.4					i <sub>N</sub> =16-25	
d <sub>1</sub>	l <sub>1</sub>	l <sub>3</sub>	d <sub>1</sub>	l <sub>1</sub>	l <sub>3</sub>	d <sub>1</sub>	l <sub>1</sub>	l <sub>3</sub>	d <sub>1</sub>	l <sub>1</sub>	l <sub>3</sub>	d <sub>1</sub>	l <sub>1</sub>	l <sub>3</sub>	d <sub>1</sub>	l <sub>1</sub>	l <sub>3</sub>		
13	100	205	170						85	170	135							330	365
14							100	205	170						85	170	135	330	365
15	120	210	165						100	210	165							365	410
16				120	210	165						100	210	165				365	410
17	125	245	200						110	210	165							420	465
18				125	245	200						110	210	165				420	465
19	150	245	200						120	210	165							475	520
20				150	245	200						120	210	165				475	520
21	170	290	240						140	250	200							495	545
22				170	290	240						140	250	200				495	545

规格 Size	尺寸/Dimension (mm)														
	齿轮箱/Gear Units														
a	A <sub>1</sub>	A <sub>2</sub>	A <sub>3</sub>	A <sub>4</sub>	b	B <sub>1</sub>	B <sub>2</sub>	c	c <sub>1</sub>	d <sub>6</sub>	D <sub>5</sub>	e <sub>2</sub>	E		
13	1290	430	460	330	365	550	385	135	60	61±2	250	48	405	635	
14	1430	430	460	330	365	550	385	135	60	61±2	250	48	475	705	
15	1550	490	500	370	440	625	430	155	70	72±2	280	55	485	762	
16	1640	490	500	370	440	625	430	155	70	72±2	280	55	530	808	
17	1740	540	565	435	505	690	485	140	80	81±2	280	55	525	860	
18	1860	540	565	435	505	690	485	140	80	81±2	280	55	585	920	
19	2010	600	600	500	450	790	540	190	90	91±2	310	65	590	997	
20	2130	600	600	500	450	790	540	190	90	91±2	310	65	650	1057	
21	2140	600	600	500	450	830	540	190	100	100±2	310	75	655	1067	
22	2250	680	680	500	610	830	565	200	100	100±2	450	75	710	1122	

规格 Size	尺寸/Dimension (mm)													
	齿轮箱/Gear Units													
g	h	h <sub>1</sub>	h <sub>2</sub>	H	m <sub>1</sub>	m <sub>2</sub>	m <sub>3</sub>	n <sub>1</sub>	n <sub>2</sub>	n <sub>3</sub>	n <sub>4</sub>	s		
13	211.5	440	450	460	900	545	545	475	100	305	835	340	35	
14	211.5	440	450	460	900	545	685	475	100	375	905	340	35	
15	238	500	490	500	1000	655	655	535	120	365	1005	375	42	
16	238	500	490	500	1000	655	745	535	120	410	1050	375	42	
17	259	550	555	560	1110	735	735	600	135	390	1145	425	42	
18	259	550	555	560	1110	735	855	600	135	450	1205	425	42	
19	299	620	615	620	1240	850	850	690	155	435	1345	475	48	
20	299	620	615	620	1240	850	970	690	155	495	1405	475	48	
21	310	700	685	690	1390	900	900	720	170	485	1400	520	56	
22	310	700	685	690	1390	900	1010	720	170	540	1455	520	56	

规格 Size	尺寸/Dimension (mm)									润滑油/Oil (L)			重量/Weight (kg)		
	输出轴/Output									JRHH2.H			JRHH2.M	JRHH2.H	JRHH2.M
	JRHH2SH			JRHH2HH JRHH2HM		JRHH2DH		JRHH2DM		轴封 Shaft seal	迷宫式密封 Labyrinth seal				
d <sub>2</sub>	G <sub>2</sub>	l <sub>2</sub>	D <sub>2</sub>	G <sub>4</sub>	D <sub>3</sub>	D <sub>4</sub>	G <sub>4</sub>	G <sub>5</sub>							
13	200	335	350	190	335	190	195	335	480	135	120	110	2040	1917	
14	210	335	350	210	335	210	215	335	480	140	130	115	2621	2478	
15	230	380	410	230	380	230	235	380	550	210	190	160	3498	3304	
16	240	380	410	240	380	240	245	380	550	215	200	165	3728	3534	
17	250	415	410	250	415	250	260	415	600	290	260	230	4743	4508	
18	270	415	470	275	415	280	285	415	600	300	270	240	5227	4967	
19	290	465	470	-	-	285	295	465	670	320	-	300	5355	5100	
20	300	465	500	-	-	310	315	465	670	340	-	320	6681	6273	
21	320	490	500	-	-	330	335	490	715	320	-	350	8900		
22	340	490	500	-	-	340	345	490	725	340	-	370	9600		



平行轴齿轮箱

两级传动 卧式安装

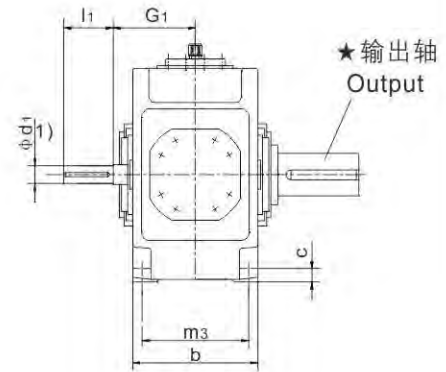
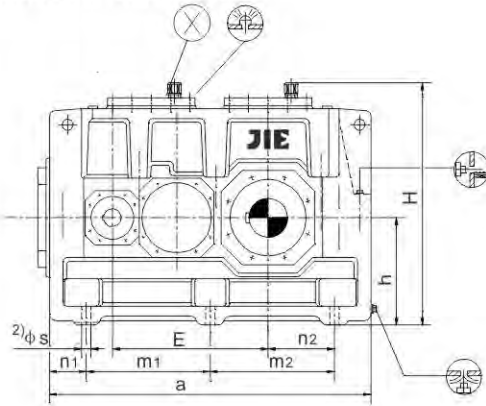
类型JRHH2.H JRHH2.M 规格23-28

Helical gear units

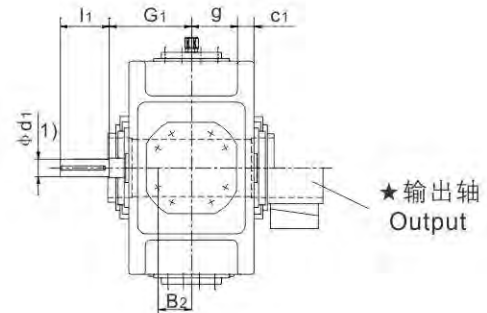
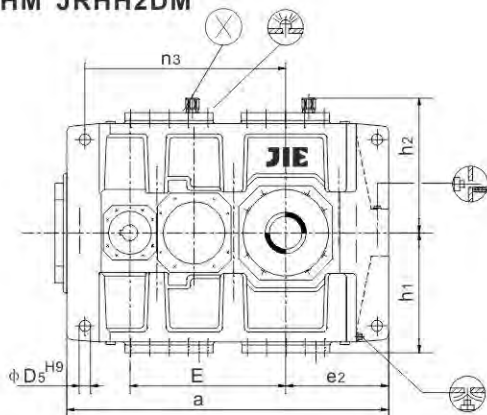
Two Stage Horizontal

Type JRHH2.H JRHH2.M Sizes 23-28

**JRHH2SH JRHH2HH JRHH2DH**



**JRHH2HM JRHH2DM**

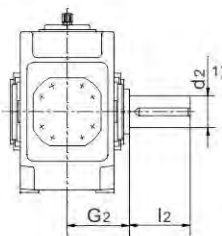


★输出轴 / Output

布置形式 / Design

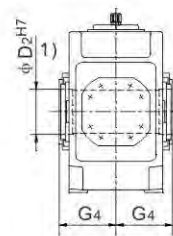
**JRHH2SH**

实心轴  
Solid shaft



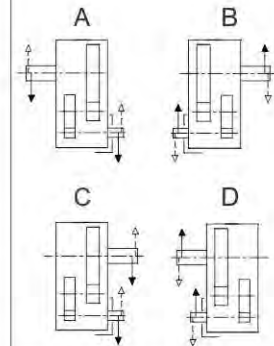
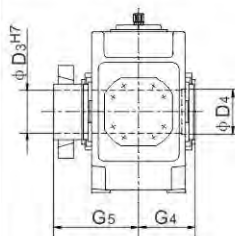
**JRHH2HH, JRHH2HM**

空心轴  
Hollow shaft



**JRHH2DH, JRHH2DM**

带胀紧盘的空心轴  
Hollow shaft for shrink disk



1)  $m6 \leq \phi 100; n6 > \phi 100$   
平键槽、轮毂键槽、平键和中心孔的具体尺寸，  
见第98-99页

2) 在安装地脚螺栓前应拆下风扇罩。

1)  $m6 \leq \phi 100; n6 > \phi 100$   
Keyway、Hubkeyway、Parallel key, see pages 98-99.

2) Remove air guide cover before fitting foundation bolts.

平行轴齿轮箱

两级传动 卧式安装

类型JRHH2.H JRHH2.M 规格23-28

Helical gear units

Two Stage Horizontal

Type JRHH2.H JRHH2.M Sizes 23-28



规格 Size	尺寸/Dimension (mm)																
	输入轴/Input																
	i <sub>N</sub> =6.3-10		i <sub>N</sub> =7.1-11.2		i <sub>N</sub> =8.0-10		i <sub>N</sub> =9.0-11.2		i <sub>N</sub> =11.2-20		i <sub>N</sub> =12.5-22.4		i <sub>N</sub> =11.2-20		i <sub>N</sub> =12.5-22.4		G <sub>1</sub>
	d <sub>1</sub>	l <sub>1</sub>	d <sub>1</sub>	l <sub>1</sub>	d <sub>1</sub>	l <sub>1</sub>	d <sub>1</sub>	l <sub>1</sub>	d <sub>1</sub>	l <sub>1</sub>	d <sub>1</sub>	l <sub>1</sub>	d <sub>1</sub>	l <sub>1</sub>	d <sub>1</sub>	l <sub>1</sub>	
23	190	330							150	250							560
24			190	330							150	250					560
25	200	340							170	300							600
26			200	340							170	300					600
27					240	380							200	340			670
28							240	380							200	340	670

规格 Size	尺寸/Dimension (mm)									
	齿轮箱/Gear Units									
	a	b	c	c <sub>1</sub>	D <sub>5</sub>	e <sub>2</sub>	E	g	h	h <sub>1</sub>
23	2380	930	115	120±2	80	730	1185	342	780	765
24	2510	930	115	120±2	80	795	1250	342	780	765
25	2645	1045	130	120±2	90	790	1325	400	860	860
26	2825	1045	130	120±2	90	880	1415	400	860	860
27	2960	1170	150	145±2	100	880	1485	440	950	950
28	3150	1170	150	145±2	100	975	1580	440	950	950

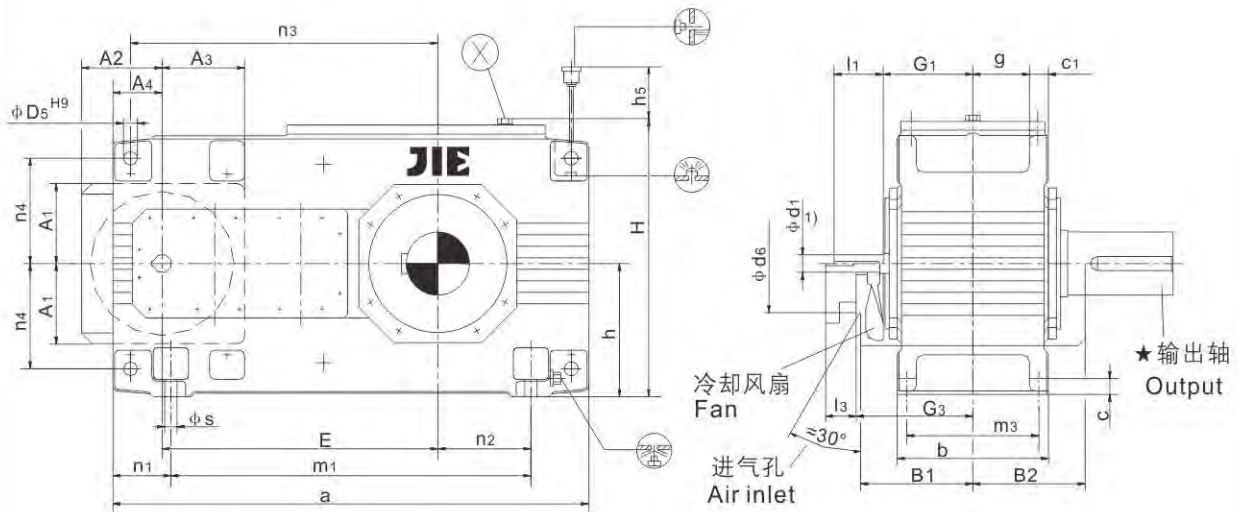
规格 Size	尺寸/Dimension (mm)									
	齿轮箱/Gear Units									
	h <sub>2</sub>	H	m <sub>1</sub>	m <sub>2</sub>	m <sub>3</sub>	n <sub>1</sub>	n <sub>2</sub>	n <sub>3</sub>	n <sub>4</sub>	s
23	785	1565	1010	1010	810	180	550	1560	580	56
24	785	1565	1010	1140	810	180	615	1625	580	56
25	880	1740	1155	1090	910	200	590	1750	660	66
26	880	1740	1155	1270	910	200	680	1840	660	66
27	950	1900	1260	1260	1030	220	660	2000	720	74
28	950	1900	1260	1450	1030	220	755	2095	720	74

规格 Size	尺寸/Dimension (mm)							润滑油/Oil (L)		重量/Weight (kg)	
	输出轴/Output							JRHH2.H	JRHH2.M	JRHH2.H	JRHH2.M
	JRHH2SH			JRHH2DH JRHH2DM							
	d <sub>2</sub>	G <sub>2</sub>	l <sub>2</sub>	D <sub>3</sub>	D <sub>4</sub>	G <sub>4</sub>	G <sub>5</sub>				
23	360	540	590	370	375	540	800	430	470	11600	11000
24	380	540	590	390	395	540	820	450	500	13000	12300
25	400	605	650	410	415	610	895	640	700	15600	14800
26	420	605	650	430	435	610	925	680	740	17500	16500
27	440	680	690	460	465	680	1000	880	970	22000	21000
28	460	680	750	470	475	680	1020	940	1030	25000	23800

平行轴齿轮箱  
 三级传动 卧式安装  
 类型 JRHH3.H 规格 5-12

Helical gear units  
 Three Stage Horizontal  
 Type JRHH3.H Sizes 5-12

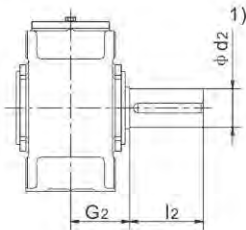
JRHH3SH JRHH3HH JRHH3DH



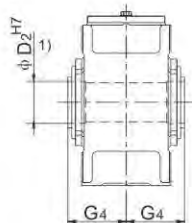
★输出轴 / Output

布置形式 / Design

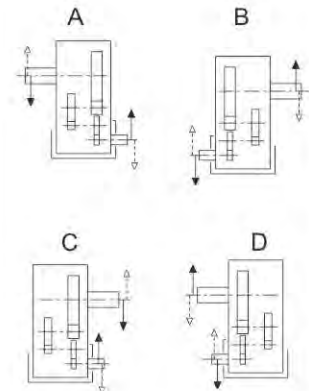
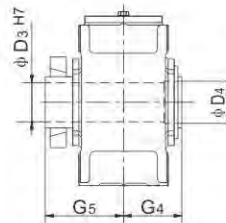
**JRHH3SH**  
 实心轴  
 Solid shaft



**JRHH3HH**  
 空心轴  
 Hollow shaft



**JRHH3DH**  
 带胀紧盘的空心轴  
 Hollow shaft for shrink disk



1)  $m_6 \leq \phi 100; n_6 > \phi 100$   
 平键槽、轮毂键槽、平键和中心孔的具体尺寸，  
 见第98-99页

1)  $m_6 \leq \phi 100; n_6 > \phi 100$   
 Keyway、Hubkeyway、Parallel key, see pages 98-99.



平行轴齿轮箱  
 三级传动 卧式安装  
 类型 JRHH3.H 规格 5-12

Helical gear units  
 Three Stage Horizontal  
 Type JRHH3.H Sizes 5-12



规格 Size	尺寸/Dimension (mm)																			
	输入轴/Input																			
	i <sub>N</sub> =25-45			i <sub>N</sub> =31.5-56			i <sub>N</sub> =50-63			i <sub>N</sub> =63-80			i <sub>N</sub> =71-90			i <sub>N</sub> =90-112			G <sub>1</sub>	G <sub>3</sub>
d <sub>1</sub>	l <sub>1</sub>	l <sub>3</sub>	d <sub>1</sub>	l <sub>1</sub>	l <sub>3</sub>	d <sub>1</sub>	l <sub>1</sub>	l <sub>3</sub>	d <sub>1</sub>	l <sub>1</sub>	l <sub>3</sub>	d <sub>1</sub>	l <sub>1</sub>	l <sub>3</sub>	d <sub>1</sub>	l <sub>1</sub>	l <sub>3</sub>			
5	40	70	70				30	50	50				24	40	40				160	220
6				40	70	70				30	50	50				24	40	40	160	220
7	45	80	80				35	60	60				28	50	50				185	250
8				45	80	80				35	60	60				28	50	50	185	250
9	60	125	105				45	100	80				32	80	60				230	300
10				60	125	105				45	100	80				32	80	60	230	300
11	70	120	120				50	80	80				42	70	70				255	330
12				70	120	120				50	80	80				42	70	70	255	330

规格 Size	尺寸/Dimension (mm)											
	齿轮箱/Gear Units											
	a	A <sub>1</sub>	A <sub>2</sub>	A <sub>3</sub>	A <sub>4</sub>	b	B <sub>1</sub>	B <sub>2</sub>	c	c <sub>1</sub>	d <sub>6</sub>	D <sub>5</sub>
5	690	137	135	140	80	255	215	175	28	30 ± 1	60	24
6	770	137	135	140	80	255	215	175	28	30 ± 1	60	24
7	845	157	160	180	100	300	245	205	35	36 ± 1	75	28
8	950	157	160	180	100	300	245	205	35	36 ± 1	75	28
9	1000	182	190	205	120	370	295	240	40	45 ± 1.5	90	36
10	1100	182	190	205	120	370	295	240	40	45 ± 1.5	90	36
11	1200	218	220	255	150	430	325	280	50	54 ± 1.5	100	40
12	1355	218	220	255	150	430	325	280	50	54 ± 1.5	100	40

规格 Size	尺寸/Dimension (mm)											
	齿轮箱/Gear Units											
	E	g	h	h <sub>5</sub>	H	m <sub>1</sub>	m <sub>3</sub>	n <sub>1</sub>	n <sub>2</sub>	n <sub>3</sub>	n <sub>4</sub>	s
5	405	97.5	230	130	482	480	220	105	100	455	180	19
6	440	97.5	230	130	482	560	220	105	145	490	180	19
7	495	114	280	170	572	605	260	120	130	560	215	24
8	540	114	280	160	582	710	260	120	190	605	215	24
9	580	140	320	185	662	710	320	145	155	660	245	28
10	630	140	320	185	662	810	320	145	205	710	245	28
11	705	161	380	180	782	870	370	165	180	805	300	35
12	775	161	380	170	790	1025	370	165	265	875	300	35

规格 Size	尺寸/Dimension (mm)									润滑油 Oil (L)	重量 Weight (kg)
	输出轴/Output										
	JRHH3SH			JRHH3HH		JRHH3DH					
d <sub>2</sub>	G <sub>2</sub>	l <sub>2</sub>	D <sub>2</sub>	G <sub>4</sub>	D <sub>3</sub>	D <sub>4</sub>	G <sub>4</sub>	G <sub>5</sub>			
5	100	165	210	95	165	100	100	165	240	15	326
6	110	165	210	105	165	110	110	165	240	17	372
7	120	195	210	115	195	120	120	195	280	28	550
8	130	195	250	125	195	130	130	195	285	30	637
9	140	235	250	135	235	140	145	235	330	45	892
10	160	235	300	150	235	150	155	235	350	46	1040
11	170	270	300	165	270	165	170	270	400	85	1428
12	180	270	300	180	270	180	185	270	405	90	1708

平行轴齿轮箱

三级传动 卧式安装

类型 JRHH3.H JRHH3.M 规格 13-22

Helical gear units

Three Stage Horizontal

Type JRHH3.H JRHH3.M Sizes 13-22



规格 Size	尺寸/Dimension (mm)															G <sub>1</sub>	G <sub>3</sub>			
	输入轴/Input																			
	i <sub>N</sub> =22.4-45			i <sub>N</sub> =25-50 i <sub>N</sub> =28-56*)			i <sub>N</sub> =50-63			i <sub>N</sub> =56-71 i <sub>N</sub> =63-80*)			i <sub>N</sub> =71-90					i <sub>N</sub> =80-100 i <sub>N</sub> =90-112*)		
d <sub>1</sub>	l <sub>1</sub>	l <sub>3</sub>	d <sub>1</sub>	l <sub>1</sub>	l <sub>3</sub>	d <sub>1</sub>	l <sub>1</sub>	l <sub>3</sub>	d <sub>1</sub>	l <sub>1</sub>	l <sub>3</sub>	d <sub>1</sub>	l <sub>1</sub>	l <sub>3</sub>	d <sub>1</sub>	l <sub>1</sub>	l <sub>3</sub>			
13	85	160	130				60	135	105				50	110	80				310	385
14				85	160	130				60	135	105				50	110	80	310	385
15	100	200	165				75	140	105				60	140	105				350	420
16				100	200	165				75	140	105				60	140	105	350	420
17	100	200	165				75	140	105				60	140	105				380	450
18				100	200	165				75	140	105				60	140	105	380	450
19	110	200	4)				90	165	4)				75	140	4)				430	4)
20				110	200	4)				90	165	4)				75	140	4)	430	
21	130	240	4)				90	165	4)				75	140	4)				430	
22				130	240	4)				90	165	4)				75	140	4)	430	

规格 Size	尺寸/Dimension (mm)													
	齿轮箱/Gear Units													
a	A <sub>1</sub>	A <sub>2</sub>	A <sub>3</sub>	b	B <sub>1</sub>	B <sub>2</sub>	c	c <sub>1</sub>	d <sub>6</sub>	D <sub>5</sub>	e <sub>2</sub>	E		
13	1395	225	225	212	550	380	195	60	61±2	120	48	405	820	
14	1535	225	225	212	550	380	195	60	61±2	120	48	475	890	
15	1680	270	265	252	625	415	205	70	72±2	150	55	485	987	
16	1770	270	265	252	625	415	205	70	72±2	150	55	530	1033	
17	1770	270	265	252	690	445	235	80	81±2	150	55	525	1035	
18	1890	270	265	252	690	445	235	80	81±2	150	55	585	1095	
19	2030				790			90	91±2		65	590	1190	
20	2150	4)	4)	4)	790	4)	4)	90	91±2	4)	65	650	1250	
21	2340				830			100	100±2		75	655	1387	
22	2450				830			100	100±2		75	710	1442	

规格 Size	尺寸/Dimension (mm)												
	齿轮箱/Gear Units												
g	h	h <sub>1</sub>	h <sub>2</sub>	H	m <sub>1</sub>	m <sub>2</sub>	m <sub>3</sub>	n <sub>1</sub>	n <sub>2</sub>	n <sub>3</sub>	n <sub>4</sub>	s	
13	211.5	440	450	460	900	597.5	597.5	475	100	305	940	340	35
14	211.5	440	450	460	900	597.5	737.5	475	100	375	1010	340	35
15	238	500	490	500	1000	720	720	535	120	365	1135	375	42
16	238	500	490	500	1000	720	810	535	120	410	1180	375	42
17	259	550	555	560	1110	750	750	600	135	390	1175	425	42
18	259	550	555	560	1110	750	870	600	135	450	1235	425	42
19	299	620	615	620	1240	860	860	690	155	435	1365	475	48
20	299	620	615	620	1240	860	980	690	155	495	1425	475	48
21	310	700	685	690	1390	1000	1000	720	170	485	1600	520	56
22	310	700	685	690	1390	1000	1110	720	170	540	1655	520	56

规格 Size	尺寸/Dimension (mm)									润滑油/Oil (L)		重量/Weight (kg)	
	输出轴/Output									JRHH3.H	JRHH3.M	JRHH3.H	JRHH3.M
	JRHH3SH			JRHH3HH JRHH3HM		JRHH3DH		JRHH3DM					
d <sub>2</sub>	G <sub>2</sub>	l <sub>2</sub>	D <sub>2</sub>	G <sub>4</sub>	D <sub>3</sub>	D <sub>4</sub>	G <sub>4</sub>	G <sub>5</sub>					
13	200	335	350	190	335	190	195	335	480	160	125	2341	2198
14	210	335	350	210	335	210	215	335	480	165	130	2678	2540
15	230	380	410	230	380	230	235	380	550	235	190	3545	3325
16	240	380	410	240	380	240	245	380	550	245	195	3953	3698
17	250	415	410	250	415	250	260	415	600	305	240	4651	4335
18	270	415	470	275	415	280	285	415	600	315	250	5131	4835
19	290	465	470	-	-	285	295	465	670	420	390	5151	4845
20	300	465	500	-	-	310	315	465	670	450	415	6783	6375
21	320	490	500	-	-	330	335	490	715	470	515	9100	8500
22	340	550	490	-	-	340	345	490	725	490	540	9800	9300

\*仅指规格14号箱 / Only for NO.14 unit

4)根据用户要求供货 /On request

平行轴齿轮箱

三级传动 卧式安装

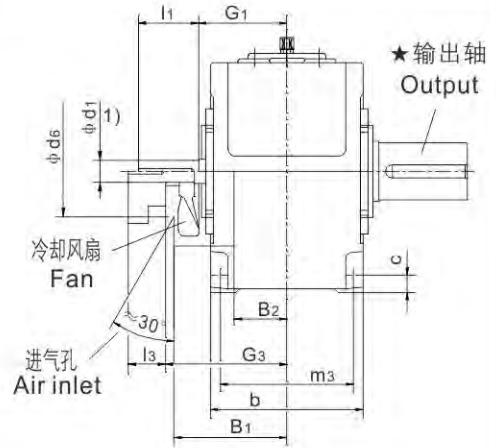
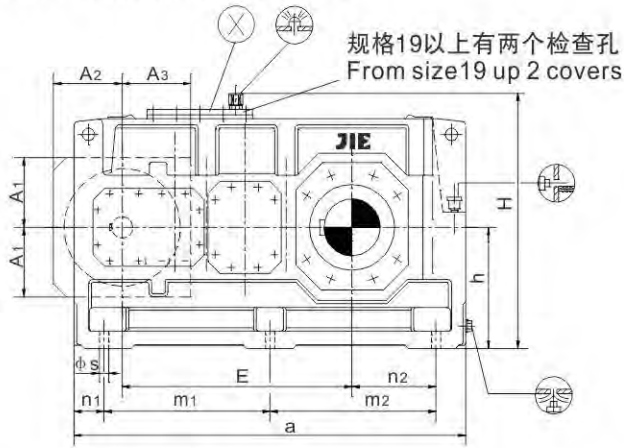
类型 JRHH3.H JRHH3.M 规格 13-22

Helical gear units

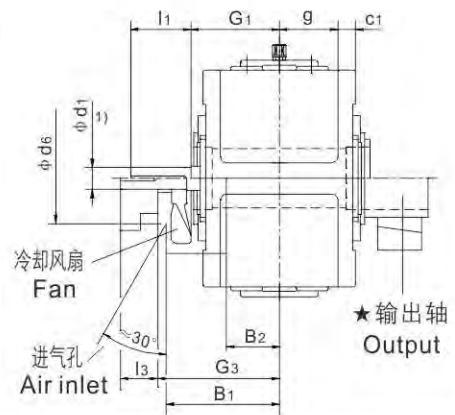
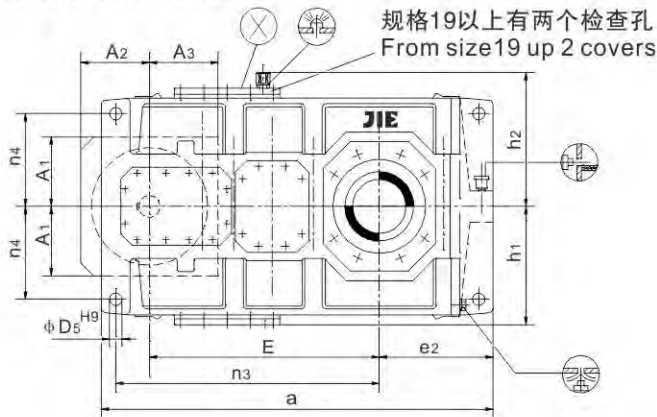
Three Stage Horizontal

Type JRHH3.H JRHH3.M Sizes 13-22

**JRHH3SH JRHH3HH JRHH3DH**



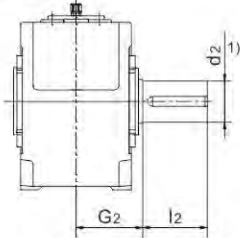
**JRHH3HM JRHH3DM**



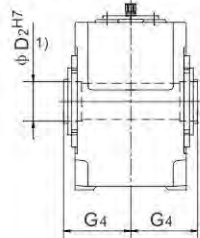
★输出轴 / Output

布置形式 / Design

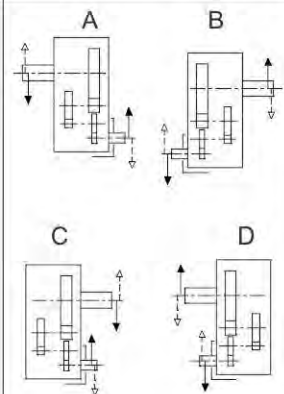
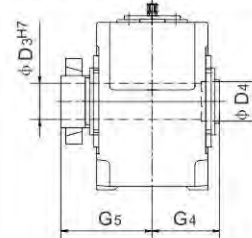
**JRHH3SH**  
实心轴  
Solid shaft



**JRHH3HH, JRHH3HM**  
空心轴  
Hollow shaft



**JRHH3DH, JRHH3DM**  
带胀紧盘的空心轴  
Hollow shaft for shrink disk



1)  $m6 \leq \phi 100; n6 > \phi 100$

平键槽、轮毂键槽、平键和中心孔的具体尺寸，  
见第98-99页

1)  $m6 \leq \phi 100; n6 > \phi 100$

Keyway、Hubkeyway、Parallel key, see pages 98-99.



平行轴齿轮箱

三级传动 卧式安装

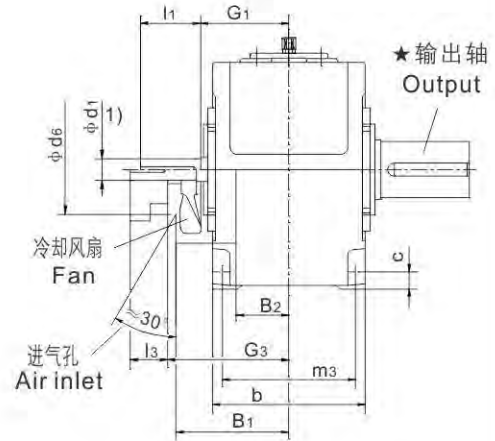
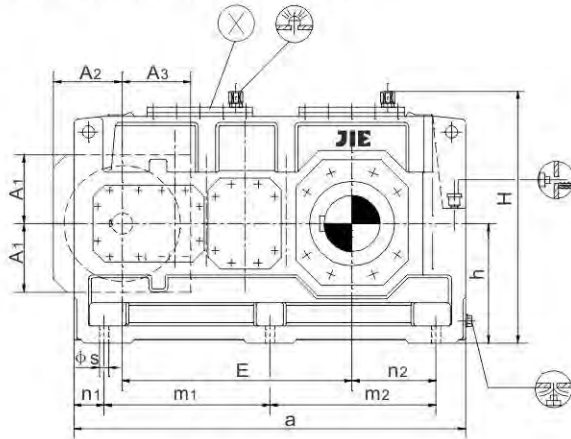
类型JRHH3.H JRHH3.M 规格23-28

Helical gear units

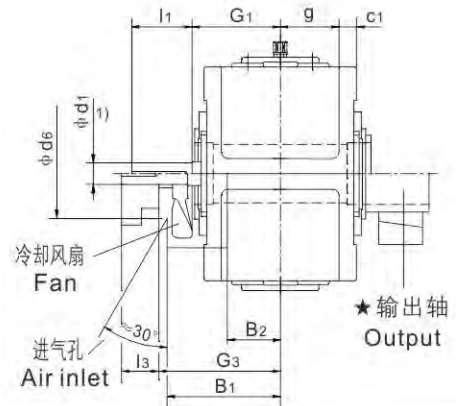
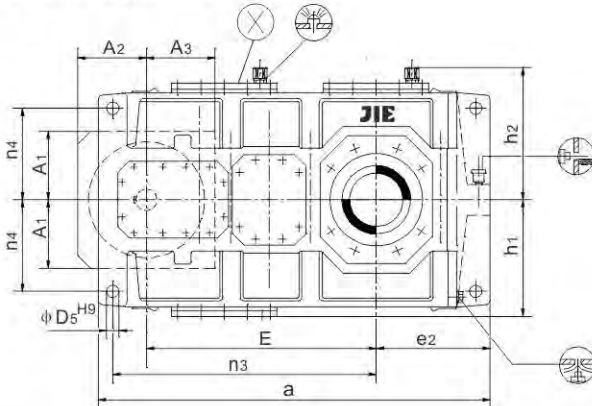
Three Stage Horizontal

Type JRHH3.H JRHH3.M Sizes 23-28

**JRHH3SH JRHH3HH JRHH3DH**



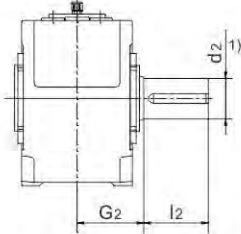
**JRHH3HM JRHH3DM**



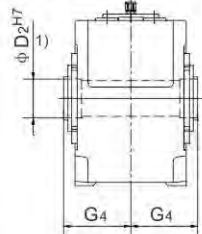
★输出轴 / Output

布置形式 / Design

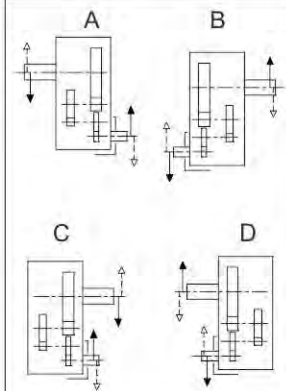
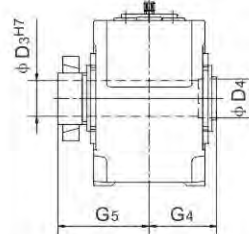
**JRHH3SH**  
实心轴  
Solid shaft



**JRHH3HH, JRHH3HM**  
空心轴  
Hollow shaft



**JRHH3DH, JRHH3DM**  
带胀紧盘的空心轴  
Hollow shaft for shrink disk



1)  $m6 \leq \phi 100; n6 > \phi 100$

平键槽、轮毂键槽、平键和中心孔的具体尺寸，见第98-99页

1)  $m6 \leq \phi 100; n6 > \phi 100$

Keyway, Hubkeyway, Parallel key, see pages 98-99.

平行轴齿轮箱

三级传动 卧式安装

类型JRHH3.H JRHH3.M 规格23-28

Helical gear units

Three Stage Horizontal

Type JRHH3.H JRHH3.M Sizes 23-28



规格 Size	尺寸/Dimension (mm)																			
	输入轴/Input																			
	i <sub>N</sub> =22.4-40			i <sub>N</sub> =25-45			i <sub>N</sub> =45-56			i <sub>N</sub> =50-63			i <sub>N</sub> =63-90			i <sub>N</sub> =71-100			G <sub>1</sub>	G <sub>3</sub>
	d <sub>1</sub>	l <sub>1</sub>	l <sub>3</sub>	d <sub>1</sub>	l <sub>1</sub>	l <sub>3</sub>	d <sub>1</sub>	l <sub>1</sub>	l <sub>3</sub>	d <sub>1</sub>	l <sub>1</sub>	l <sub>3</sub>	d <sub>1</sub>	l <sub>1</sub>	l <sub>3</sub>	d <sub>1</sub>	l <sub>1</sub>	l <sub>3</sub>		
23	130	255	200				110	220	165				90	185	130				515	570
24				130	255	200				110	220	165				90	185	130	515	570
25	150	255	200				130	255	200				100	580	635				580	635
26				150	255	200				130	255	200				100	580	635	580	635
27	180	295	240				150	255	200				125	255	200				650	705
28				180	295	240				150	255	200				125	255	200	650	705

规格 Size	尺寸/Dimension (mm)														
	齿轮箱/Gear Units														
	a	b	A <sub>1</sub>	A <sub>2</sub>	A <sub>3</sub>	b	B <sub>1</sub>	B <sub>2</sub>	c	c <sub>1</sub>	d <sub>6</sub>	D <sub>5</sub>	e <sub>2</sub>	E	
23	2530	960	415	415	415	930	590	305	115	120±2	350	80	730	1505	
24	2660	960	415	415	415	930	590	305	115	120±2	350	80	795	1570	
25	2830	1045	440	440	440	1045	655	335	130	120±2	414	90	790	1695	
26	3010	1045	440	440	440	1045	655	335	130	120±2	414	90	880	1785	
27	3220	1170	510	510	510	1170	725	380	150	140±2	446	100	880	1927	
28	3410	1170	510	510	510	1170	725	380	150	140±2	446	100	975	2022	

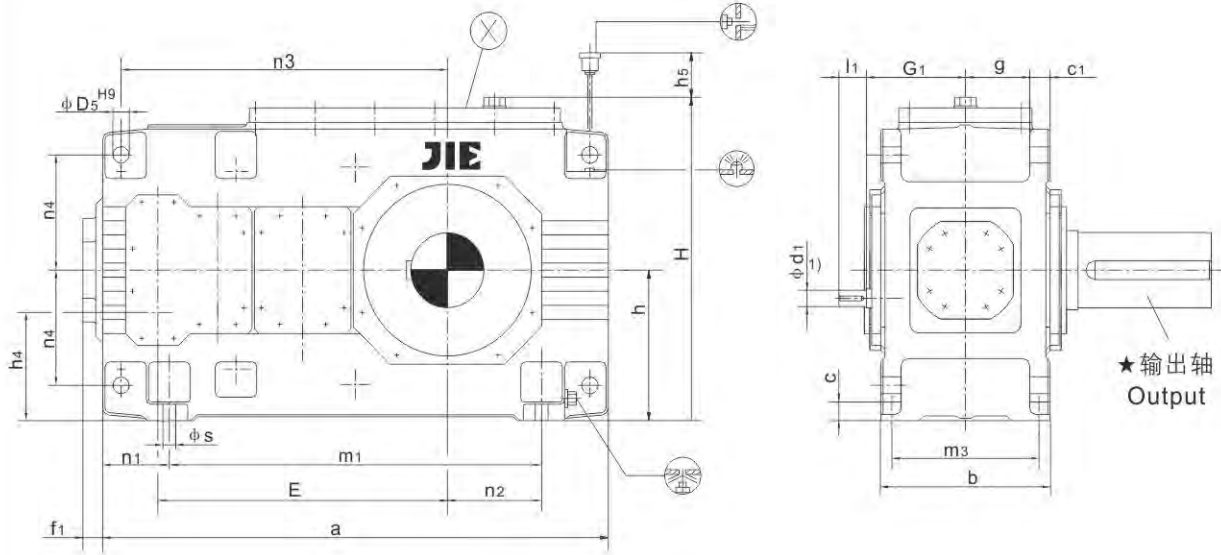
规格 Size	尺寸/Dimension (mm)													
	齿轮箱/Gear Units													
	g	h	h <sub>1</sub>	h <sub>2</sub>	H	m <sub>1</sub>	m <sub>2</sub>	m <sub>3</sub>	n <sub>1</sub>	n <sub>2</sub>	n <sub>3</sub>	n <sub>4</sub>	s	
23	342	780	765	785	1565	1085	1085	810	180	550	1725	580	56	
24	342	780	765	785	1565	1085	1215	810	180	615	1790	580	56	
25	400	860	860	880	1740	1215	1215	910	200	590	1965	660	66	
26	400	860	860	880	1740	1215	1395	910	200	680	2055	660	66	
27	440	950	930	950	1740	1390	1390	1030	220	660	2260	720	74	
28	440	950	930	950	1740	1390	1580	1030	220	755	2355	720	74	

规格 Size	尺寸/Dimension (mm)							润滑油/Oil (L)		重量/Weight (kg)	
	输出轴/Output							JRHH3.H	JRHH3.M	JRHH3.H	JRHH3.M
	JRHH3SH			JRHH3DH		JRHH3DM					
	d <sub>2</sub>	G <sub>2</sub>	l <sub>2</sub>	D <sub>3</sub>	D <sub>4</sub>	G <sub>4</sub>	G <sub>5</sub>				
23	360	540	590	370	375	540	800	620	690	11800	11200
24	380	540	590	390	395	540	820	650	725	13200	12500
25	400	605	650	410	415	610	895	880	970	16100	15300
26	420	605	650	430	435	610	925	935	1030	17700	16800
27	440	680	690	460	465	680	1000	1270	1410	22700	21700
28	460	680	750	470	475	680	1020	1345	1490	25500	24200

平行轴齿轮箱  
四级传动 卧式安装  
类型 JRHH4.H 规格 7-12

Helical gear units  
Four Stage Horizontal  
Type JRHH4.H Sizes 7-12

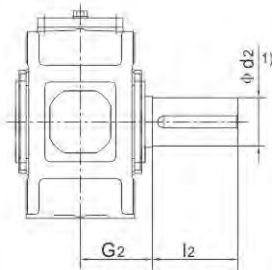
JRHH4SH JRHH4HH JRHH4DH



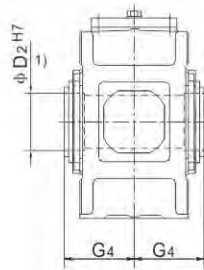
★输出轴 / Output

布置形式 / Design

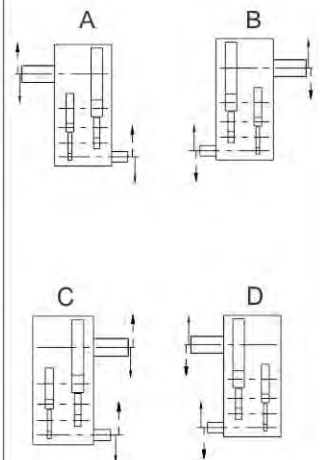
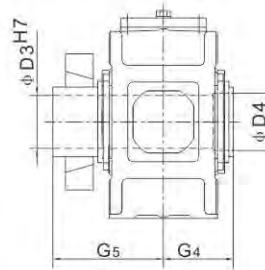
**JRHH4SH**  
实心轴  
Solid shaft



**JRHH4HH**  
空心轴  
Hollow shaft



**JRHH4DH**  
带胀紧盘的空心轴  
Hollow shaft for shrink disk



1)  $m6 \leq \phi 100; n6 > \phi 100$   
平键槽、轮毂键槽、平键和中心孔的具体尺寸，  
见第98-99页

1)  $m6 \leq \phi 100; n6 > \phi 100$   
Keyway、Hubkeyway、Parallel key, see pages 98-99.



平行轴齿轮箱  
四级传动 卧式安装  
类型 JRHH4.H 规格 7-12

Helical gear units  
Four Stage Horizontal  
Type JRHH4.H Sizes 7-12



规格 Size	尺寸/Dimension (mm)								
	输入轴/Input								
	i <sub>N</sub> =100-180		i <sub>N</sub> =125-224		i <sub>N</sub> =200-355		i <sub>N</sub> =250-450		G <sub>1</sub>
	d <sub>1</sub>	l <sub>1</sub>	d <sub>1</sub>	l <sub>1</sub>	d <sub>1</sub>	l <sub>1</sub>	d <sub>1</sub>	l <sub>1</sub>	
7	30	50			24	40			180
8			30	50			24	40	180
9	35	60			28	50			215
10			35	60			28	50	215
11	45	100			32	80			250
12			45	100			32	80	250

规格 Size	尺寸/Dimension (mm)																		
	齿轮箱/Gear Units																		
	a	b	c	c <sub>1</sub>	D <sub>5</sub>	E	f <sub>1</sub>	g	h	h <sub>4</sub>	h <sub>5</sub>	H	m <sub>1</sub>	m <sub>3</sub>	n <sub>1</sub>	n <sub>2</sub>	n <sub>3</sub>	n <sub>4</sub>	s
7	845	300	35	36±1	28	495	37	114	280	200	140	572	605	260	120	130	560	215	24
8	950	300	35	36±1	28	540	37	114	280	200	140	582	710	260	120	190	605	215	24
9	1000	370	40	45±1.5	36	580	43	140	320	230	150	662	710	320	145	155	660	245	28
10	1100	370	40	45±1.5	36	630	43	140	320	230	150	662	810	320	145	205	710	245	28
11	1200	430	50	54±1.5	40	705	47	161	380	270	165	782	870	370	165	180	805	300	35
12	1355	430	50	54±1.5	40	775	47	161	380	270	165	790	1025	370	165	265	875	300	35

规格 Size	尺寸/Dimension (mm)									润滑油 Oil (L)	重量 Weight (kg)
	输出轴/Output										
	JRHH4SH			JRHH4HH		JRHH4DH					
	d <sub>2</sub>	G <sub>2</sub>	l <sub>2</sub>	D <sub>2</sub>	G <sub>4</sub>	D <sub>3</sub>	D <sub>4</sub>	G <sub>4</sub>	G <sub>5</sub>		
7	120	195	210	115	195	120	120	195	280	25	561
8	130	195	250	125	195	130	130	195	285	27	657
9	140	235	250	135	235	140	145	235	330	48	892
10	160	235	300	150	235	150	155	235	350	50	1030
11	170	270	300	165	270	165	170	270	400	80	1489
12	180	270	300	180	270	180	185	270	405	87	1759

平行轴齿轮箱

四级传动 卧式安装

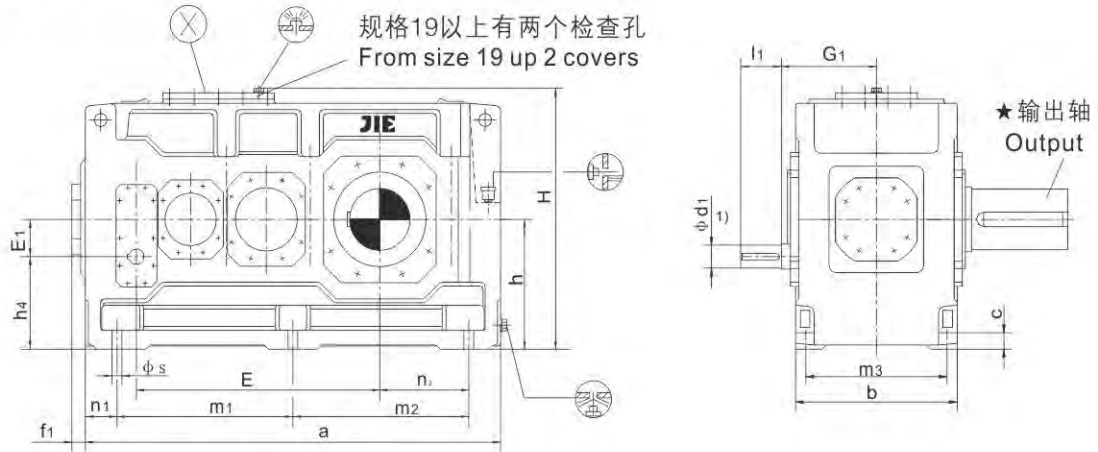
类型 JRHH4.H JRHH4.M 规格 13-22

Helical gear units

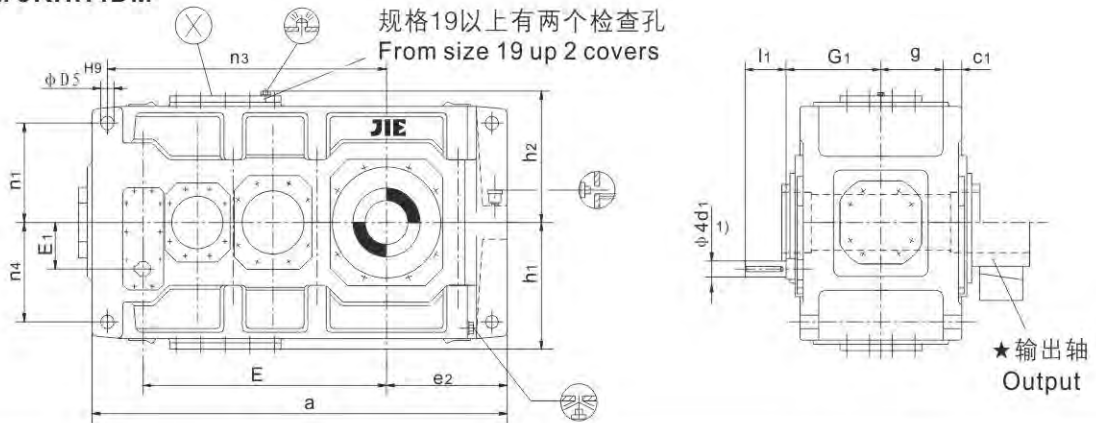
Four Stage Horizontal

Type JRHH4.H JRHH4.M Sizes 13-22

**JRHH4SH JRHH4HH JRHH4DH**



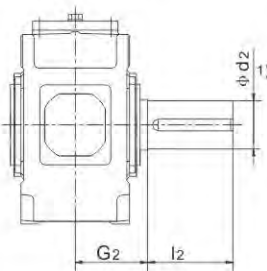
**JRHH4HM JRHH4DM**



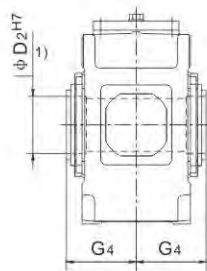
★输出轴 / Output

布置形式 / Design

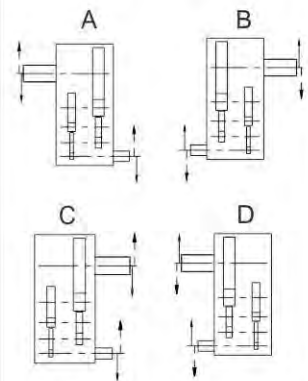
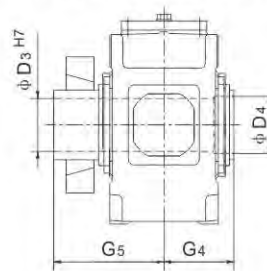
**JRHH4SH**  
实心轴  
Solid shaft



**JRHH4HH, JRHH4HM**  
空心轴  
Hollow shaft



**JRHH4DH, JRHH4DM**  
带胀紧盘的空心轴  
Hollow shaft for shrink disk



1)  $m6 \leq \phi 100; n6 > \phi 100$

平键槽、轮毂键槽、平键和中心孔的具体尺寸，  
见第98-99页

1)  $m6 \leq \phi 100; n6 > \phi 100$

Keyway、Hubkeyway、Parallel key, see pages 98-99.

平行轴齿轮箱

四级传动 卧式安装

类型 JRHH4.H JRHH4.M 规格 13-22

Helical gear units

Four Stage Horizontal

Type JRHH4.H JRHH4.M Sizes 13-22



规格 Size	尺寸/Dimension (mm)												G <sub>1</sub>	
	输入轴/Input													
	i <sub>N</sub> =100-180		i <sub>N</sub> =112-200		i <sub>N</sub> =125-224		i <sub>N</sub> =200-355		i <sub>N</sub> =224-400		i <sub>N</sub> =250-450			
d <sub>1</sub>	l <sub>1</sub>	d <sub>1</sub>	l <sub>1</sub>	d <sub>1</sub>	l <sub>1</sub>	d <sub>1</sub>	l <sub>1</sub>	d <sub>1</sub>	l <sub>1</sub>	d <sub>1</sub>	l <sub>1</sub>	d <sub>1</sub>	l <sub>1</sub>	
13	50	100					38	80						305
14					50	100						38	80	305
15	60	135					50	110						345
16			60	135					50	110				345
17	60	105					50	80						380
18			60	105					50	80				380
19	75	105					60	105						440
20			75	105					60	105				440
21	90	165					70	140						460
22			90	165					70	140				460

规格 Size	尺寸/Dimension (mm)											
	齿轮箱/Gear Units											
	a	b	c	c <sub>1</sub>	D <sub>5</sub>	e <sub>2</sub>	E	E <sub>1</sub>	f <sub>1</sub>	g	h	
13	1395	550	60	61±2	48	405	820	130	47	211.5	440	
14	1535	550	60	61±2	48	475	890	130	47	211.5	440	
15	1680	625	70	72±2	55	485	987	160	56	238	500	
16	1770	625	70	72±2	55	530	1033	160	56	238	500	
17	1770	690	80	81±2	55	525	1035	160	53	259	550	
18	1890	690	80	81±2	55	585	1095	160	53	259	550	
19	2030	790	90	91±2	65	590	1190	185	53	299	620	
20	2150	790	90	91±2	65	650	1250	185	53	299	620	
21	2340	830	100	100±2	75	655	1387	225	62	310	700	
22	2450	830	100	100±2	75	710	1442	225	62	310	700	

规格 Size	尺寸/Dimension (mm)											
	齿轮箱/Gear Units											
	h <sub>1</sub>	h <sub>2</sub>	h <sub>4</sub>	H	m <sub>1</sub>	m <sub>2</sub>	m <sub>3</sub>	n <sub>1</sub>	n <sub>2</sub>	n <sub>3</sub>	n <sub>4</sub>	s
13	450	460	310	900	597.5	597.5	475	100	305	940	340	35
14	450	460	310	900	597.5	737.5	475	100	375	1010	340	35
15	490	500	340	1000	720	720	535	120	365	1135	375	42
16	490	500	340	1000	720	810	535	120	410	1180	375	42
17	555	560	390	1110	750	750	600	135	390	1175	425	42
18	555	560	390	1110	750	870	600	135	450	1235	425	42
19	615	620	435	1240	860	860	690	155	435	1365	475	48
20	615	620	435	1240	860	980	690	155	495	1425	475	48
21	685	620	435	1390	1000	1000	720	170	485	1600	520	56
22	685	690	475	1390	1000	1110	720	170	490	1655	520	56

规格 Size	尺寸/Dimension (mm)									润滑油/Oil (L)		重量/Weight (kg)	
	输出轴/Output									JRHH4.H	JRHH4.M	JRHH4.H	JRHH4.M
	JRHH4SH			JRHH4HH JRHH4HM		JRHH4DH		JRHH4DM					
d <sub>2</sub>	G <sub>2</sub>	l <sub>2</sub>	D <sub>2</sub>	G <sub>4</sub>	D <sub>3</sub>	D <sub>4</sub>	G <sub>4</sub>	G <sub>5</sub>					
13	200	335	350	190	335	190	195	335	480	130	120	2437	2315
14	210	335	350	210	335	210	215	335	480	140	125	2784	2652
15	230	380	410	230	380	230	235	380	550	230	170	3707	3508
16	240	380	410	240	380	240	245	380	550	235	175	4044	3814
17	250	415	410	250	415	250	260	415	600	290	225	4773	4533
18	270	415	470	275	415	280	285	415	600	305	230	5288	5013
19	290	465	470	-	-	285	295	465	670	360	310	5814	5406
20	300	465	500	-	-	310	315	465	670	380	330	6528	6069
21	320	490	500	-	-	330	334	490	715	395	430	9200	8600
22	340	490	500	-	-	340	345	490	725	420	450	9900	9400



平行轴齿轮箱

四级传动 卧式安装

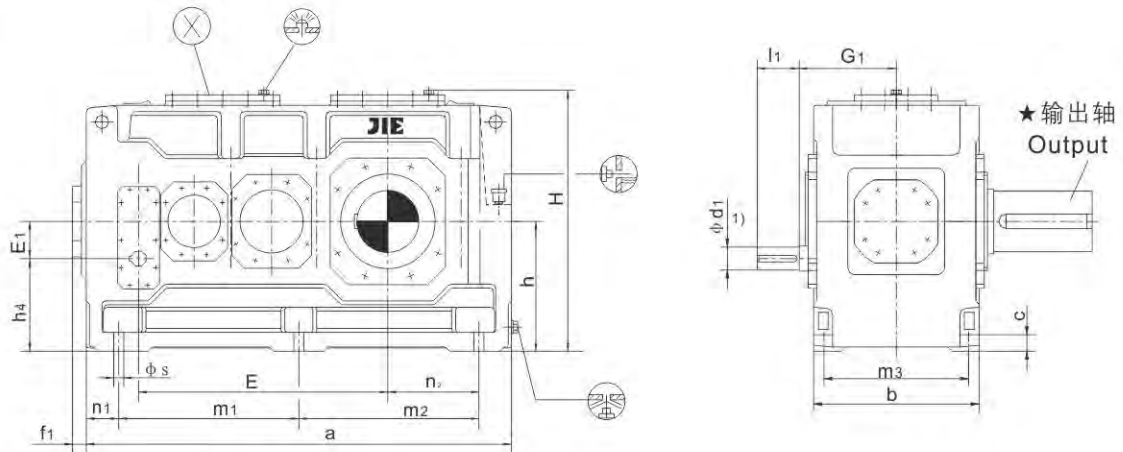
类型 JRHH4.H JRHH4.M 规格 23-28

Helical gear units

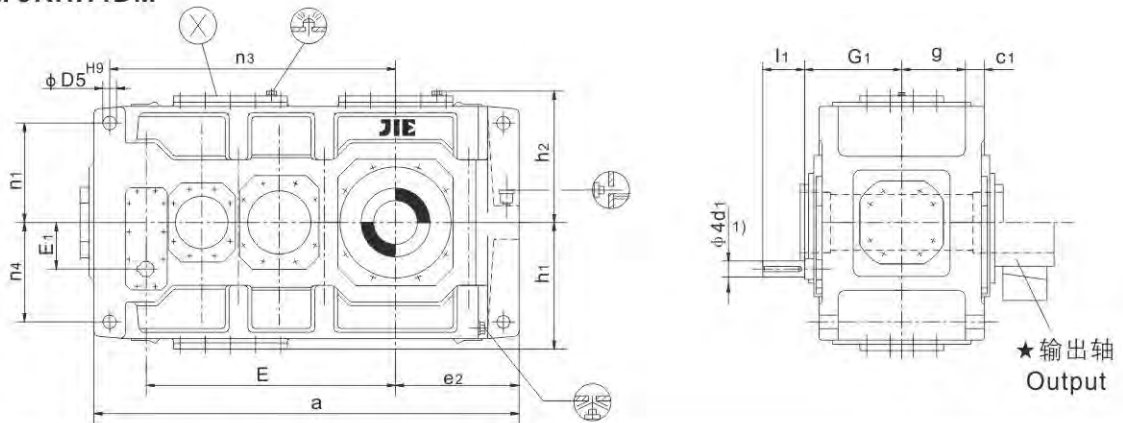
Four Stage Horizontal

Type JRHH4.H JRHH4.M Sizes 23-28

**JRHH4SH JRHH4HH JRHH4DH**



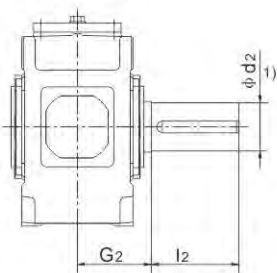
**JRHH4HM JRHH4DM**



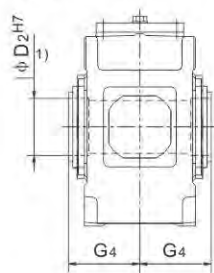
★ 输出轴 / Output

布置形式 / Design

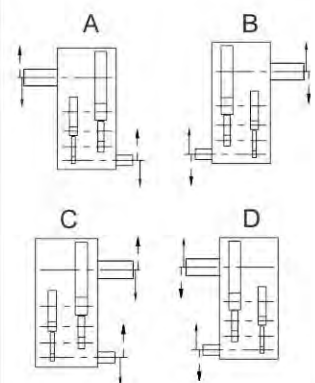
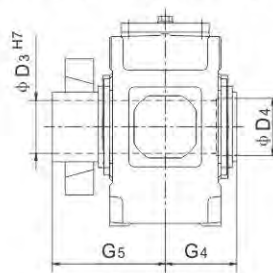
**JRHH4SH**  
实心轴  
Solid shaft



**JRHH4HH, JRHH4HM**  
空心轴  
Hollow shaft



**JRHH4DH, JRHH4DM**  
带胀紧盘的空心轴  
Hollow shaft for shrink disk



1)  $m6 \leq \phi 100; n6 > \phi 100$

平键槽、轮毂键槽、平键和中心孔的具体尺寸，  
见第98-99页

1)  $m6 \leq \phi 100; n6 > \phi 100$

Keyway、Hubkeyway、Parallel key, see pages 98-99.

平行轴齿轮箱

四级传动 卧式安装

类型 JRHH4.H JRHH4.M 规格 23-28

Helical gear units

Four Stage Horizontal

Type JRHH4.H JRHH4.M Sizes 23-28



规格 Size	尺寸/Dimension (mm)								
	输入轴/Input								
	i <sub>N</sub> =100-160		i <sub>N</sub> =112-180		i <sub>N</sub> =180-355		i <sub>N</sub> =200-400		G <sub>3</sub>
	d <sub>1</sub>	l <sub>1</sub>	d <sub>1</sub>	l <sub>1</sub>	d <sub>1</sub>	l <sub>1</sub>	d <sub>1</sub>	l <sub>1</sub>	
23	90	165			70	140			515
24			90	165			70	140	515
25	100	205			85	170			575
26			100	205			85	170	575
27	120	210			100	210			645
28			120	210			100	210	645

规格 Size	尺寸/Dimension (mm)											
	齿轮箱/Gear Units											
	a	b	c	c <sub>1</sub>	D <sub>5</sub>	e <sub>2</sub>	E	E <sub>1</sub>	f <sub>1</sub>	g	h	h <sub>1</sub>
23	2530	930	115	120±2	80	730	1505	225	35	342	780	765
24	2660	930	115	120±2	80	795	1570	225	35	342	780	765
25	2830	1045	130	120±2	90	790	1695	265	35	400	860	860
26	3010	1045	130	120±2	90	880	1785	265	35	400	860	860
27	3220	1170	150	145±2	100	880	1927	320	40	440	950	930
28	3410	1170	150	145±2	100	975	2022	320	40	440	950	930

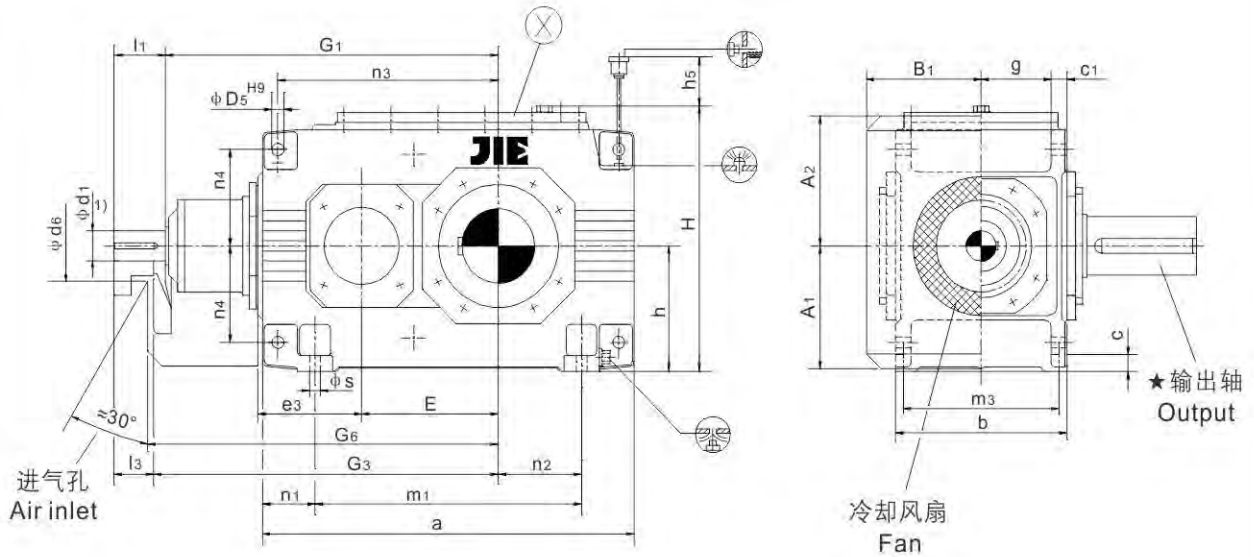
规格 Size	尺寸/Dimension (mm)										
	齿轮箱/Gear Units										
	h <sub>2</sub>	h <sub>4</sub>	H	m <sub>1</sub>	m <sub>2</sub>	m <sub>3</sub>	n <sub>1</sub>	n <sub>2</sub>	n <sub>3</sub>	n <sub>4</sub>	s
23	785	555	1565	1085	1085	810	180	550	1725	580	56
24	785	555	1565	1085	1215	810	180	615	1790	580	56
25	880	595	1740	1215	1215	910	200	590	1965	660	66
26	880	595	1740	1215	1395	910	200	680	2055	660	66
27	950	630	1900	1390	1390	1030	220	660	2260	720	74
28	950	630	1900	1390	1580	1030	220	755	2355	720	74

规格 Size	尺寸/Dimension (mm)							润滑油/Oil (L)		重量/Weight (kg)	
	输出轴/Output							JRHH4.H	JRHH4.M	JRHH4.H	JRHH4.M
	JRHH4SH			JRHH4DH JRHH4DM							
	d <sub>2</sub>	G <sub>2</sub>	l <sub>2</sub>	D <sub>3</sub>	D <sub>4</sub>	G <sub>4</sub>	G <sub>5</sub>				
23	360	540	590	370	375	540	800	520	565	12000	11400
24	380	540	590	390	395	540	820	550	600	13500	12800
25	400	605	650	410	415	610	895	735	800	16300	15500
26	420	605	650	430	435	610	925	780	850	18000	17100
27	440	680	690	460	465	680	1000	1055	1150	23000	22000
28	460	680	750	470	475	680	1020	1110	1210	26200	25000

直交轴齿轮箱  
 两级传动 卧式安装  
 类型 JRHB2.H 规格 4-12

Bevel-helical gear units  
 Two Stage Horizontal  
 Type JRHB2.H Sizes 4-12

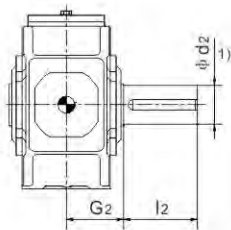
JRHB2SH JRHB2HH JRHB2DH



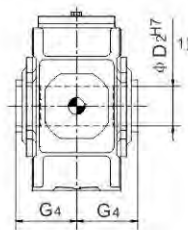
★输出轴 / Output

布置形式 / Design

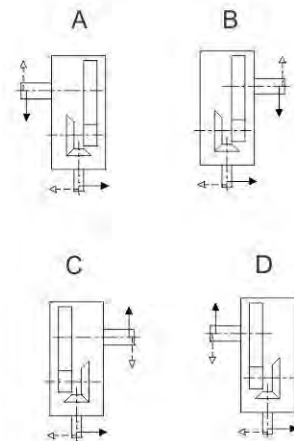
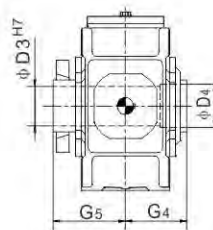
JRHB2SH  
 实心轴  
 Solid shaft



JRHB2HH  
 空心轴  
 Hollow shaft



JRHB2DH  
 带胀紧盘的空心轴  
 Hollow shaft for shrink disk



1)  $m_6 \leq \phi 100; n_6 > \phi 100$   
 平键槽、轮毂键槽、平键和中心孔的具体尺寸，  
 见第98-99页

1)  $m_6 \leq \phi 100; n_6 > \phi 100$   
 Keyway, Hubkeyway, Parallel key, see pages 98-99.



直交轴齿轮箱  
 两级传动 卧式安装  
 类型 JRHB2.H 规格 4-12

Bevel-helical gear Units  
 Two Stage Horizontal  
 Type JRHB2.H Sizes 4-12

规格 Size	尺寸/Dimension (mm)							
	输入轴/Input							
	i <sub>N</sub> =5-11.2			i <sub>N</sub> =6.3-14			G <sub>1</sub>	G <sub>3</sub>
	d <sub>1</sub>	l <sub>1</sub>	l <sub>3</sub>	d <sub>1</sub>	l <sub>1</sub>	l <sub>3</sub>		
4	45	100	80				465	485
5	55	110	80				535	565
6				55	110	80	570	600
7	70	135	105				640	670
8				70	135	105	685	715
9	80	165	130				755	790
10				80	165	130	805	840
11	90	165	130				925	960
12				90	165	130	995	1030

规格 Size	尺寸/Dimension (mm)											
	齿轮箱/Gear Units											
	a	A <sub>1</sub>	A <sub>2</sub>	b	B <sub>1</sub>	c	c <sub>1</sub>	D <sub>5</sub>	d <sub>6</sub>	e <sub>3</sub>	E	g
4	515	195	200	270	188	28	30 ± 1	24	150	160	160	105
5	565	220	235	320	215	28	30 ± 1	24	160	185	185	130
6	645	220	235	320	215	28	30 ± 1	24	160	185	220	130
7	690	270	285	380	250	35	36 ± 1	28	210	225	225	154
8	795	270	285	380	250	35	36 ± 1	28	210	225	270	154
9	820	310	325	440	270	40	48 ± 1.5	36	195	265	265	172
10	920	310	325	440	270	40	48 ± 1.5	36	195	265	315	172
11	975	370	385	530	328	50	54 ± 1.5	40	210	320	320	211
12	1130	370	385	530	328	50	54 ± 1.5	40	210	320	390	211

规格 Size	尺寸/Dimension (mm)											
	齿轮箱/Gear Units											
	G <sub>6</sub>	h	h <sub>5</sub>	H	m <sub>1</sub>	m <sub>3</sub>	n <sub>1</sub>	n <sub>2</sub>	n <sub>3</sub>	n <sub>4</sub>	s	
4	495	200	80	400	295	235	110	85	285	150	19	
5	575	230	150	482	355	285	105	100	330	180	19	
6	610	230	150	482	435	285	105	145	365	180	19	
7	685	280	180	582	450	340	120	130	405	215	24	
8	730	280	190	582	555	340	120	190	450	215	24	
9	805	320	205	662	530	390	145	155	480	245	28	
10	855	320	215	662	630	390	145	205	530	245	28	
11	980	380	240	790	645	470	165	180	580	300	35	
12	1050	380	250	790	800	470	165	265	650	300	35	

规格 Size	尺寸/Dimension (mm)									润滑油/Oil (L)		重量 Weight (kg)
	输出轴/Output									轴封 Shaft seal	迷宫式密封 Labyrinth seal	
	JRHB2SH			JRHB2HH		JRHB2DH						
	d <sub>2</sub>	G <sub>2</sub>	l <sub>2</sub>	D <sub>2</sub>	G <sub>4</sub>	D <sub>3</sub>	D <sub>4</sub>	G <sub>4</sub>	G <sub>5</sub>			
4	80	170	170	80	170	85	85	170	235	10	-	235
5	100	200	210	95	200	100	100	200	275	16	14	367
6	110	200	210	105	200	110	110	200	275	19	15	418
7	120	235	210	115	235	120	120	235	320	31	28	627
8	130	235	250	125	235	130	130	235	325	34	29	714
9	140	270	250	135	270	140	145	270	365	48	38	1020
10	160	270	300	150	270	150	155	270	385	50	40	1178
11	170	320	300	165	320	165	170	320	450	80	65	1672
12	180	320	300	180	320	180	185	320	455	95	71	1948



直交轴齿轮箱

两级传动 卧式安装

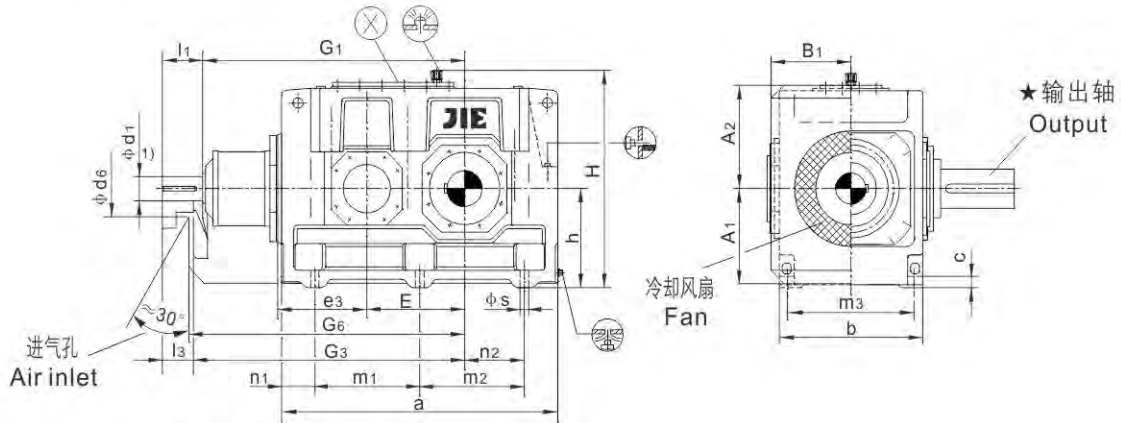
类型 JRHB2.H JRHB2.M 规格 13-18

Bevel-helical gear units

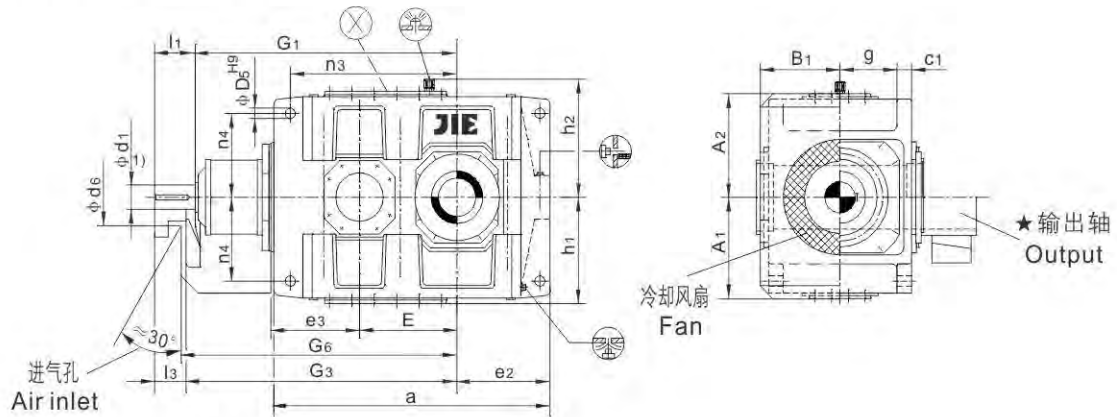
Two Stage Horizontal

Type JRHB2.H JRHB2.M Sizes 13-18

**JRHB2SH JRHB2HH JRHB2DH**



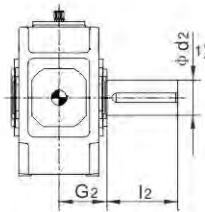
**JRHB2HM JRHB2DM**



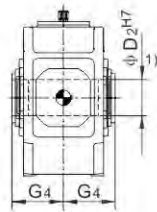
★ 输出轴 / Output

布置形式 / Design

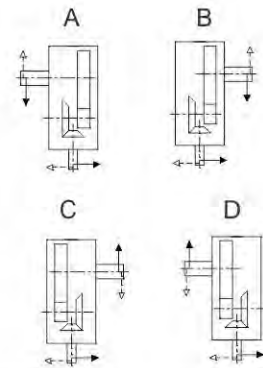
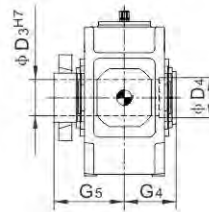
**JRHB2SH**  
实心轴  
Solid shaft



**JRHB2HH, JRHB2HM**  
空心轴  
Hollow shaft



**JRHB2DH, JRHB2DM**  
带胀紧盘的空心轴  
Hollow shaft for shrink disk



1)  $m6 \leq \phi 100; n6 > \phi 100$

平键槽、轮毂键槽、平键和中心孔的具体尺寸，  
见第98-99页

1)  $m6 \leq \phi 100; n6 > \phi 100$

Keyway、Hubkeyway、Parallel key, see pages 98-99.

直交轴齿轮箱

两级传动 卧式安装

类型 JRHB2.H JRHB2.M 规格 13-18

Bevel-helical gear Units

Two Stage Horizontal

Type JRHB2.H JRHB2.M Sizes 13-18

规格 Size	尺寸/Dimension (mm)																
	输入轴/Input																
	i <sub>N</sub> =5-11.2			i <sub>N</sub> =5.6-11.2			i <sub>N</sub> =5.6-12.5			i <sub>N</sub> =6.3-14			i <sub>N</sub> =7.1-12.5			G <sub>1</sub>	G <sub>3</sub>
	d <sub>1</sub>	l <sub>1</sub>	l <sub>3</sub>	d <sub>1</sub>	l <sub>1</sub>	l <sub>3</sub>	d <sub>1</sub>	l <sub>1</sub>	l <sub>3</sub>	d <sub>1</sub>	l <sub>1</sub>	l <sub>3</sub>	d <sub>1</sub>	l <sub>1</sub>	l <sub>3</sub>		
13	110	205	165													1070	1110
14										110	205	165				1140	1180
15	130	245	200													1277	1322
16							130	245	200							1323	1368
17				150	245	200										1435	1480
18													150	245	200	1495	1540

规格 Size	尺寸/Dimension (mm)													
	齿轮箱/Gear Units													
	a	A <sub>1</sub>	A <sub>2</sub>	b	B <sub>1</sub>	c	c <sub>1</sub>	d <sub>6</sub>	D <sub>5</sub>	e <sub>2</sub>	e <sub>3</sub>	E	g	
13	1130	430	450	655	375	60	61 ± 2	245	48	405	380	370	264	
14	1270	430	450	655	375	60	61 ± 2	245	48	475	380	440	264	
15	1350	490	495	765	435	70	72 ± 2	280	55	485	450	442	308	
16	1440	490	495	765	435	70	72 ± 2	280	55	530	450	488	308	
17	1490	540	555	885	505	80	81 ± 2	380	65	525	510	490	356	
18	1610	540	555	885	505	80	81 ± 2	380	65	585	510	550	356	

规格 Size	尺寸/Dimension (mm)													
	齿轮箱/Gear Units													
	G <sub>6</sub>	h	h <sub>1</sub>	h <sub>2</sub>	H	m <sub>1</sub>	m <sub>2</sub>	m <sub>3</sub>	n <sub>1</sub>	n <sub>2</sub>	n <sub>3</sub>	n <sub>4</sub>	s	
13	1130	440	450	460	900	465	465	580	100	305	675	340	35	
14	1200	440	450	460	900	465	605	580	100	375	745	340	35	
15	1340	500	490	500	1000	555	555	670	120	365	805	375	42	
16	1385	500	490	500	1000	555	645	670	120	410	850	375	42	
17	1500	550	555	560	1110	610	610	780	135	390	895	420	48	
18	1560	550	555	560	1110	610	730	780	135	450	955	420	48	

规格 Size	尺寸/Dimension (mm)									润滑油/Oil (L)		重量/Weight (kg)		
	输出轴/Output									JRHB2.H		JRHB2.M	JRHB2.H	JRHB2.M
	JRHB2SH			JRHB2HH JRHB2HM		JRHB2DH		JRHB2DM		轴封 Shaft seal	迷宫式密封 Labyrinth seal			
	d <sub>2</sub>	G <sub>2</sub>	l <sub>2</sub>	D <sub>2</sub>	G <sub>4</sub>	D <sub>3</sub>	D <sub>4</sub>	G <sub>4</sub>	G <sub>5</sub>					
13	200	390	350	-	-	-	-	-	-	140	125	120	2499	2397
14	210	390	350	210	390	210	215	390	535	155	140	130	2881	2779
15	230	460	410	-	-	-	-	-	-	220	195	180	4069	3870
16	240	460	410	240	450	240	245	450	620	230	205	190	4431	4243
17	250	540	410	-	-	-	-	-	-	320	280	260	5732	5426
18	270	540	470	275	510	280	285	510	700	335	300	275	6273	5977

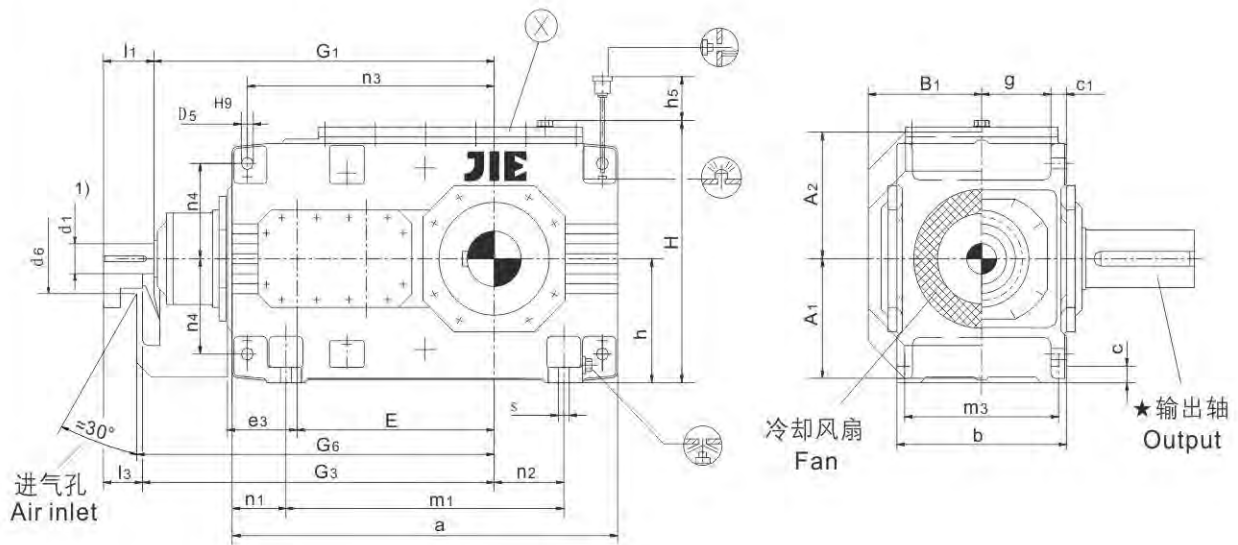




直交轴齿轮箱  
 三级传动 卧式安装  
 类型 JRHB3.H 规格 4-12

Bevel-helical gear units  
 Three Stage Horizontal  
 Type JRHB3.H Sizes 4-12

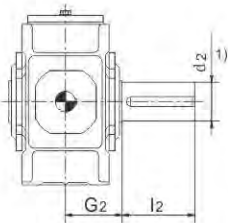
JRHB3SH JRHB3HH JRHB3DH



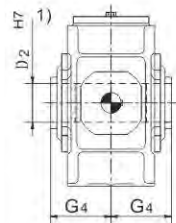
★ 输出轴 / Output

布置形式 / Design

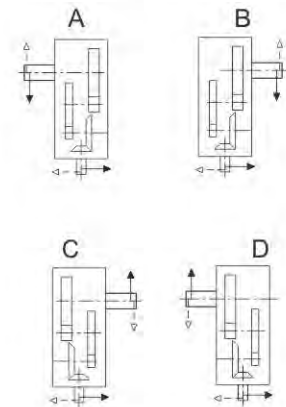
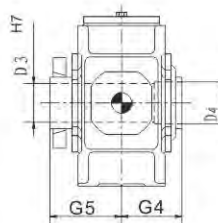
**JRHB3SH**  
 实心轴  
 Solid shaft



**JRHB3HH**  
 空心轴  
 Hollow shaft



**JRHB3DH**  
 带胀紧盘的空心轴  
 Hollow shaft for shrink disk



1)  $m_6 \leq \phi 100; n_6 > \phi 100$   
 平键槽、轮毂键槽、平键和中心孔的具体尺寸，  
 见第98-99页

1)  $m_6 \leq \phi 100; n_6 > \phi 100$   
 Keyway、Hubkeyway、Parallel key, see pages 98-99.

直交轴齿轮箱  
 三级传动 卧式安装  
 类型 JRHB3.H 规格 4-12

Bevel-helical gear units  
 Three Stage Horizontal  
 Type JRHB3.H Sizes 4-12

规格 Size	尺寸/Dimension (mm)													
	输入轴/Input													
	i <sub>N</sub> =12.5-45			i <sub>N</sub> =16-56			i <sub>N</sub> =50-71			i <sub>N</sub> =63-90			G <sub>1</sub>	G <sub>3</sub>
	d <sub>1</sub>	l <sub>1</sub>	l <sub>3</sub>	d <sub>1</sub>	l <sub>1</sub>	l <sub>3</sub>				d <sub>1</sub>	l <sub>1</sub>	l <sub>3</sub>		
4	30	70	50				25	60	40				500	520
5	35	80	60				28	60	40				575	595
6				35	80	60				28	60	40	610	630
7	45	100	80				35	80	60				690	710
8				45	100	80				35	80	60	735	755
9	55	110	80				40	100	70				800	830
10				55	110	80				40	100	70	850	880
11	70	135	105				50	110	80				960	990
12				70	135	105				50	110	80	1030	1060

规格 Size	尺寸/Dimension (mm)												
	齿轮箱/Gear Units												
	a	A <sub>1</sub>	A <sub>2</sub>	b	B <sub>1</sub>	c	c <sub>1</sub>	d <sub>6</sub>	D <sub>5</sub>	e <sub>3</sub>	E	g	
4	565	195	200	215	143	28	30±1	110	24	110	270	77.5	
5	640	220	235	255	168	28	30±1	130	24	130	315	97.5	
6	720	220	235	255	168	28	30±1	130	24	130	350	97.5	
7	785	275	275	300	193	35	36±1	165	28	160	385	114	
8	890	275	275	300	193	35	36±1	165	28	160	430	114	
9	925	315	325	370	231	40	45±1.5	175	36	185	450	140	
10	1025	315	325	370	231	40	45±1.5	175	36	185	500	140	
11	1105	370	385	430	263	50	54±1.5	190	40	225	545	161	
12	1260	370	385	430	263	50	54±1.5	190	40	225	615	161	

规格 Size	尺寸/Dimension (mm)											
	齿轮箱/Gear Units											
	G <sub>6</sub>	h	h <sub>5</sub>	H	m <sub>1</sub>	m <sub>3</sub>	n <sub>1</sub>	n <sub>2</sub>	n <sub>3</sub>	n <sub>4</sub>	s	
4	530	200	100	415	355	180	105	85	345	150	19	
5	605	230	130	482	430	220	105	100	405	180	19	
6	640	230	130	482	510	220	105	145	440	180	19	
7	720	280	170	572	545	260	120	130	500	215	24	
8	765	280	60	582	650	260	120	190	545	215	24	
9	845	320	175	662	635	320	145	155	585	245	28	
10	895	320	175	662	735	320	145	205	635	245	28	
11	1010	380	220	782	775	370	165	180	710	300	35	
12	1080	380	210	790	930	370	165	265	780	300	35	

规格 Size	尺寸/Dimension (mm)										润滑油 Oil (L)	重量 Weight (kg)
	输出轴/Output											
	JRHB3SH			JRHB3HH		JRHB3DH						
d <sub>2</sub>	G <sub>2</sub>	l <sub>2</sub>	D <sub>2</sub>	G <sub>4</sub>	D <sub>3</sub>	D <sub>4</sub>	G <sub>4</sub>	G <sub>5</sub>				
4	80	140	170	80	140	85	85	140	205		9	210
5	100	165	210	95	165	100	100	165	240		14	331
6	110	165	210	105	165	110	110	165	240		15	387
7	120	195	210	115	195	120	120	195	280		25	561
8	130	195	250	125	195	130	130	195	285		28	647
9	140	235	250	135	235	140	145	235	330		40	907
10	160	235	300	150	235	150	155	235	350		42	1040
11	170	270	300	165	270	165	170	270	400		66	1484
12	180	270	300	180	270	180	185	270	405		72	1764



直交轴齿轮箱

三级传动 卧式安装

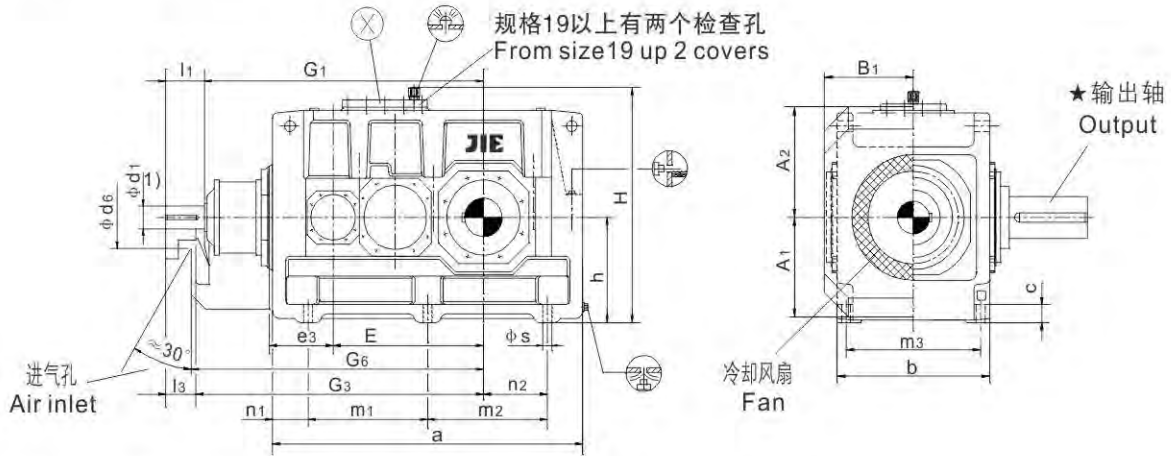
类型 JRHB3.H JRHB3.M 规格 13-22

Bevel-helical gear units

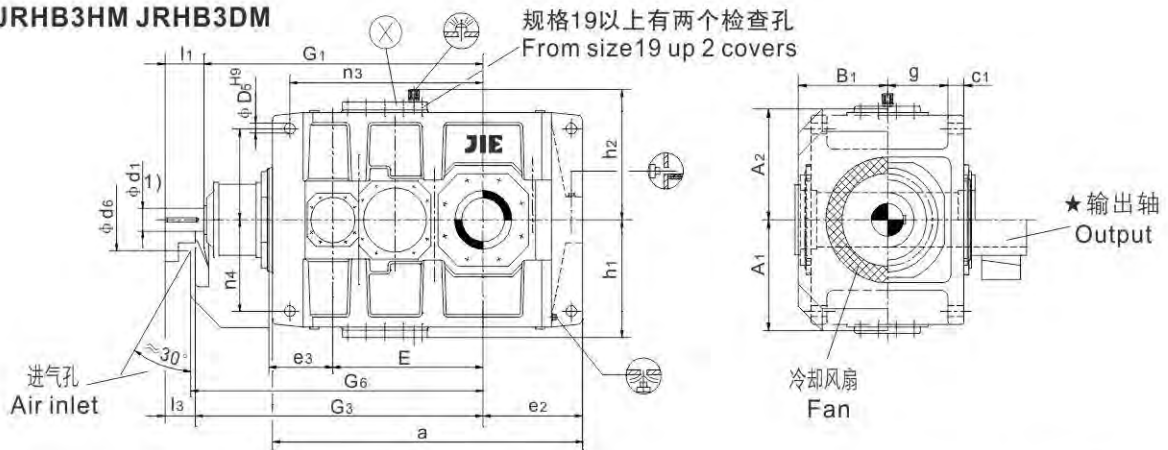
Three Stage Horizontal

Type JRHB3.H JRHB3.M Sizes 13-22

**JRHB3SH JRHB3HH JRHB3DH**



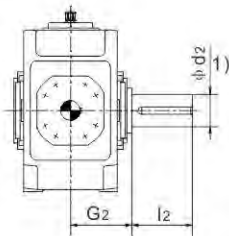
**JRHB3HM JRHB3DM**



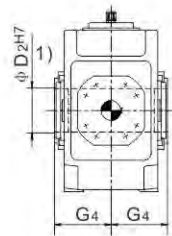
★输出轴 / Output

布置形式 / Design

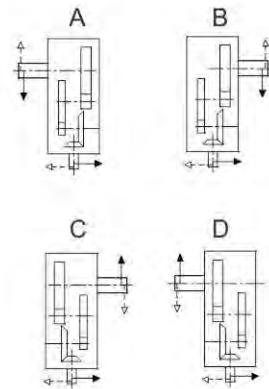
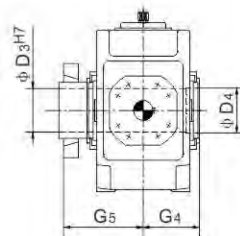
**JRHB3SH**  
实心轴  
Solid shaft



**JRHB3HH, JRHB3HM**  
空心轴  
Hollow shaft



**JRHB3DH, JRHB3DM**  
带胀紧盘的空心轴  
Hollow shaft for shrink disk



1)  $m6 \leq \phi 100; n6 > \phi 100$

平键槽、轮毂键槽、平键和中心孔的具体尺寸，  
见第98-99页

1)  $m6 \leq \phi 100; n6 > \phi 100$

Keyway、Hubkeyway、Parallel key, see pages 98-99.



直交轴齿轮箱

三级传动 卧式安装

类型 JRHB3.H JRHB3.M 规格 13-22

Bevel-helical gear units

Three Stage Horizontal

Type JRHB3.H JRHB3.M Sizes 13-22

规格 Size	尺寸/Dimension (mm)																		
	输入轴/Input																		
	i <sub>N</sub> =12.5-45			i <sub>N</sub> =14-50			i <sub>N</sub> =16-56			i <sub>N</sub> =50-71			i <sub>N</sub> =56-80			i <sub>N</sub> =63-90			G <sub>1</sub>
d <sub>1</sub>	l <sub>1</sub>	l <sub>3</sub>	d <sub>1</sub>	l <sub>1</sub>	l <sub>3</sub>	d <sub>1</sub>	l <sub>1</sub>	l <sub>3</sub>	d <sub>1</sub>	l <sub>1</sub>	l <sub>3</sub>	d <sub>1</sub>	l <sub>1</sub>	l <sub>3</sub>	d <sub>1</sub>	l <sub>1</sub>	l <sub>3</sub>		
13	80	165	130						60	140	105							1125	1160
14							80	165	130						60	140	105	1195	1230
15	90	165	130						70	140	105							1367	1402
16				90	165	130						70	140	105				1413	1448
17	110	205	165						80	170	130							1560	1600
18				110	205	165						80	170	130				1620	1660
19	130	245	200						100	210	165							1832	1877
20				130	245	200						100	210	165				1892	1937
21	130	245	200						100	210	165							1902	1947
22				130	245	200						100	210	165				1957	2002

规格 Size	尺寸/Dimension (mm)												
	齿轮箱/Gear Units												
a	A <sub>1</sub>	A <sub>2</sub>	b	B <sub>1</sub>	c	c <sub>1</sub>	d <sub>6</sub>	D <sub>5</sub>	e <sub>2</sub>	e <sub>3</sub>	E	g	
13	1290	425	475	550	325	60	61 ± 2	210	48	405	265	635	211.5
14	1430	425	475	550	325	60	61 ± 2	210	48	475	265	705	211.5
15	1550	485	520	625	365	70	72 ± 2	210	55	485	320	762	238
16	1640	485	520	625	365	70	72 ± 2	210	55	530	320	808	238
17	1740	535	570	690	395	80	81 ± 2	230	55	525	370	860	259
18	1860	535	570	690	395	80	81 ± 2	230	55	585	370	920	259
19	2010	610	630	790	448	90	91 ± 2	245	65	590	420	997	299
20	2130	610	630	790	448	90	91 ± 2	245	65	650	420	1057	299
21	2140	690	690	830	473	100	100 ± 2	280	75	655	450	1067	310
22	2250	690	690	830	473	100	100 ± 2	280	75	710	450	1122	310

规格 Size	尺寸/Dimension (mm)												
	齿轮箱/Gear Units												
G <sub>6</sub>	h	h <sub>1</sub>	h <sub>2</sub>	H	m <sub>1</sub>	m <sub>2</sub>	m <sub>3</sub>	n <sub>1</sub>	n <sub>2</sub>	n <sub>3</sub>	n <sub>4</sub>	s	
13	1180	440	450	460	900	545	545	475	100	305	835	340	35
14	1250	440	450	460	900	545	685	475	100	375	905	340	35
15	1420	500	490	500	1000	655	655	535	120	365	1005	375	42
16	1470	500	490	500	1000	655	745	535	120	410	1050	375	42
17	1620	550	555	560	1110	735	735	600	135	390	1145	425	42
18	1680	550	555	560	1110	735	855	600	135	450	1205	425	42
19	1900	620	615	620	1240	850	850	690	155	435	1345	475	48
20	1960	620	615	620	1240	850	970	690	155	495	1405	475	48
21	1970	700	685	690	1390	900	900	720	170	485	1400	520	56
22	2025	700	685	690	1390	900	1010	720	170	540	1455	520	56

规格 Size	尺寸/Dimension (mm)									润滑油/Oil (L)		重量/Weight (kg)	
	输出轴/Output									JRHB3.H	JRHB3.M	JRHB3.H	JRHB3.M
	JRHB3SH			JRHB3HH JRHB3HM		JRHB3DH		JRHB3DM					
d <sub>2</sub>	G <sub>2</sub>	l <sub>2</sub>	D <sub>2</sub>	G <sub>4</sub>	D <sub>3</sub>	D <sub>4</sub>	G <sub>4</sub>	G <sub>5</sub>					
13	200	335	350	190	335	190	195	335	480	130	110	2427	2305
14	210	335	350	210	335	210	215	335	480	140	115	2805	2667
15	230	380	410	230	380	230	235	380	550	210	160	3804	3610
16	240	380	410	240	380	240	245	380	550	220	165	4034	3840
17	250	415	410	250	415	250	260	415	600	290	230	5089	4855
18	270	415	470	275	415	280	285	415	600	300	235	5604	5344
19	290	465	470	-	-	285	295	465	670	380	360	6364	6171
20	300	465	500	-	-	310	315	465	670	440	420	7089	6844
21	320	490	500	-	-	330	335	490	715	370	420	9200	8600
22	340	490	500	-	-	340	345	490	725	430	490	9900	9400



直交轴齿轮箱

三级传动 卧式安装

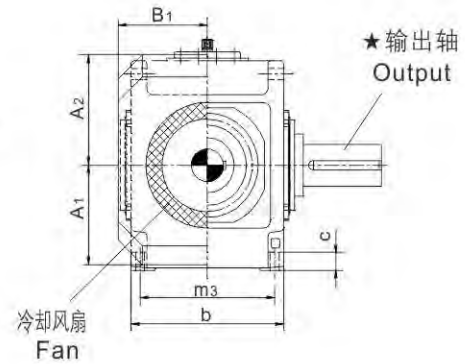
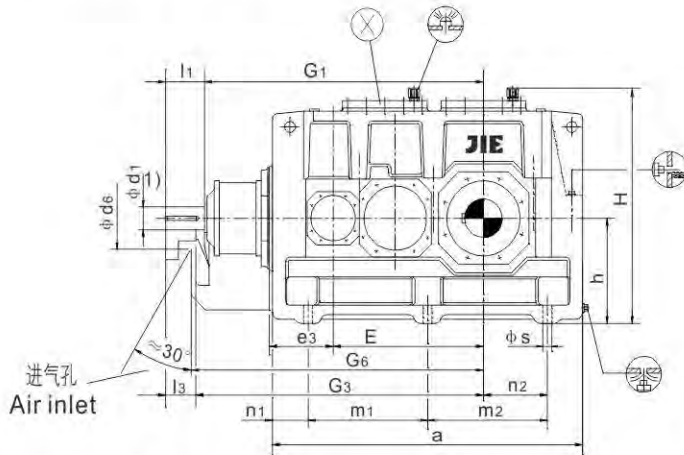
类型 JRHB3.H JRHB3.M 规格 23-28

Bevel-helical gear units

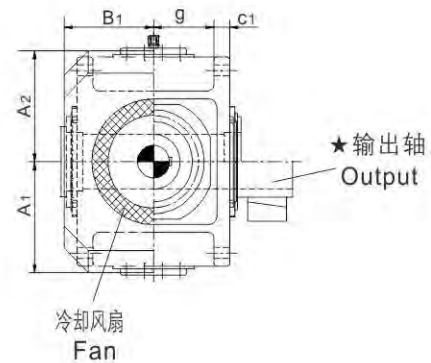
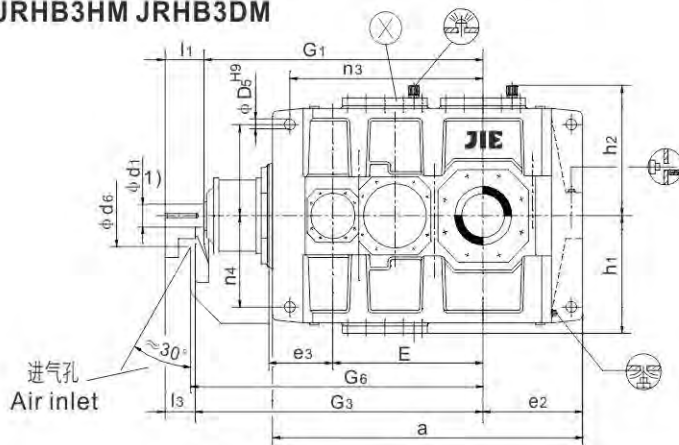
Three Stage Horizontal

Type JRHB3.H JRHB3.M Sizes 23-28

**JRHB3SH JRHB3HH JRHB3DH**



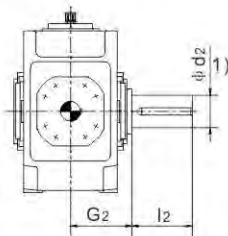
**JRHB3HM JRHB3DM**



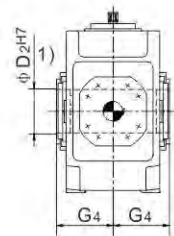
★输出轴 / Output

布置形式 / Design

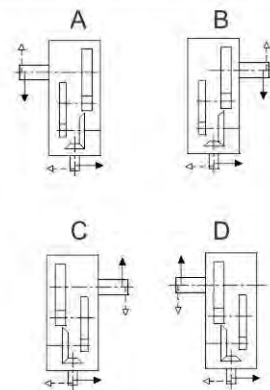
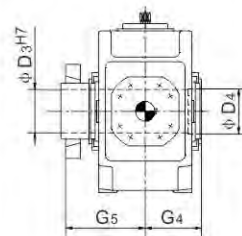
**JRHB3SH**  
实心轴  
Solid shaft



**JRHB3HH, JRHB3HM**  
空心轴  
Hollow shaft



**JRHB3DH, JRHB3DM**  
带胀紧盘的空心轴  
Hollow shaft for shrink disk



1)  $m6 \leq \phi 100; n6 > \phi 100$

平键槽、轮毂键槽、平键和中心孔的具体尺寸，  
见第98-99页

1)  $m6 \leq \phi 100; n6 > \phi 100$

Keyway、Hubkeyway、Parallel key, see pages 98-99.

直交轴齿轮箱

三级传动 卧式安装

类型 JRHB3.H JRHB3.M 规格 23-28

Bevel-helical gear units

Three Stage Horizontal

Type JRHB3.H JRHB3.M Sizes 23-28

规格 Size	尺寸/Dimension (mm)																				G <sub>1</sub>	G <sub>3</sub>							
	输入轴/Input																												
	i <sub>N</sub> =20-40			i <sub>N</sub> =22.4-45			i <sub>N</sub> =20-45			i <sub>N</sub> =22.4-50			i <sub>N</sub> =45-71			i <sub>N</sub> =50-80			i <sub>N</sub> =50-71				i <sub>N</sub> =56-80						
	d <sub>1</sub>	l <sub>1</sub>	l <sub>3</sub>	d <sub>1</sub>	l <sub>1</sub>	l <sub>3</sub>	d <sub>1</sub>	l <sub>1</sub>	l <sub>3</sub>	d <sub>1</sub>	l <sub>1</sub>	l <sub>3</sub>	d <sub>1</sub>	l <sub>1</sub>	l <sub>3</sub>	d <sub>1</sub>	l <sub>1</sub>	l <sub>3</sub>	d <sub>1</sub>	l <sub>1</sub>			l <sub>3</sub>	d <sub>1</sub>	l <sub>1</sub>	l <sub>3</sub>			
23							150	245	200													110	210	165				2130	2175
24										150	245	200													110	210	165	2195	2240
25	160	295	240										120	220	165													2375	2430
26				160	295	240										120	220	165										2465	2520
27	180	295	240										130	255	200													2625	2680
28				180	295	240										130	255	200										2720	2775

规格 Size	尺寸/Dimension (mm)													
	齿轮箱/Gear Units													
	a	b	A <sub>1</sub>	A <sub>2</sub>	b	B <sub>1</sub>	c	c <sub>1</sub>	d <sub>6</sub>	D <sub>5</sub>	e <sub>2</sub>	e <sub>3</sub>	E	g
23	2380	930	720	720	930	515	115	120±2	382	80	720	490	1185	342
24	2510	930	720	720	930	515	115	120±2	382	80	795	490	1250	342
25	2645	1045	790	790	1045	575	130	120±2	414	90	790	555	1325	400
26	2825	1045	790	790	1045	575	130	120±2	414	90	880	555	1415	400
27	2960	1170	870	870	1170	640	150	140±2	446	100	880	625	1485	440
28	3150	1170	870	870	1170	640	150	140±2	446	100	975	625	1580	440

规格 Size	尺寸/Dimension (mm)													
	齿轮箱/Gear Units													
	G <sub>6</sub>	h	h <sub>1</sub>	h <sub>2</sub>	H	m <sub>1</sub>	m <sub>2</sub>	m <sub>3</sub>	n <sub>1</sub>	n <sub>2</sub>	n <sub>3</sub>	n <sub>4</sub>	s	
23	2208	780	765	785	1565	1010	1010	810	180	550	1560	580	56	
24	2273	780	765	785	1565	1010	1140	810	180	615	1625	580	56	
25	2435	860	860	880	1740	1155	1090	910	200	590	1750	660	66	
26	2525	860	860	880	1740	1155	1270	910	200	680	1840	660	66	
27	2688	950	930	950	1900	1260	1260	1030	220	660	2000	720	74	
28	2783	950	930	950	1900	1260	1450	1030	220	755	2095	720	74	

规格 Size	尺寸/Dimension (mm)							润滑油/Oil (L)		重量/Weight (kg)	
	输出轴/Output							JRHB3.H	JRHB3.M	JRHB3.H	JRHB3.M
	JRHB3SH			JRHB3DH		JRHB3DM					
	d <sub>2</sub>	G <sub>2</sub>	l <sub>2</sub>	D <sub>3</sub>	D <sub>4</sub>	G <sub>4</sub>	G <sub>5</sub>				
23	360	540	590	370	375	540	800	520	560	12000	11400
24	380	540	590	390	395	540	820	600	650	13400	12700
25	400	605	650	410	415	610	895	760	830	16100	15300
26	420	605	650	430	435	610	925	880	960	18000	17000
27	440	680	690	460	465	680	1000	1050	1150	22700	21700
28	460	680	750	470	475	680	1020	1220	1340	25700	24400

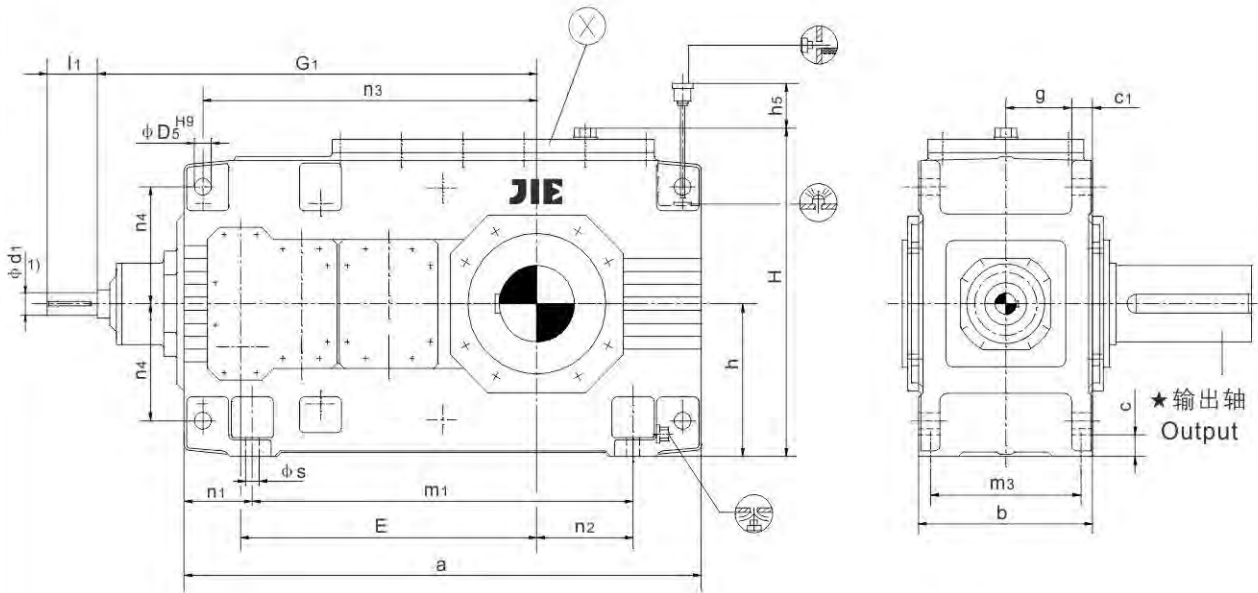




直交轴齿轮箱  
四级传动 卧式安装  
类型 JRHB4.H 规格 5-12

Bevel-helical gear units  
Four Stage Horizontal  
Type JRHB4.H Sizes 5-12

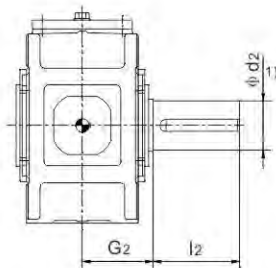
JRHB4SH JRHB4HH JRHB4DH



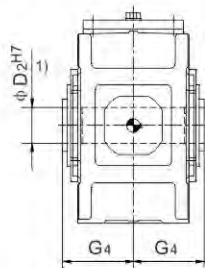
★ 输出轴 / Output

布置形式 / Design

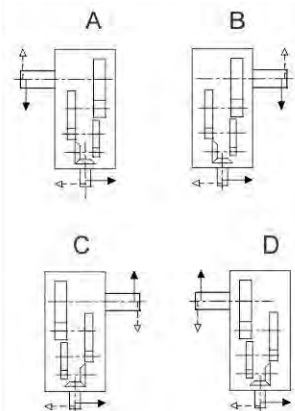
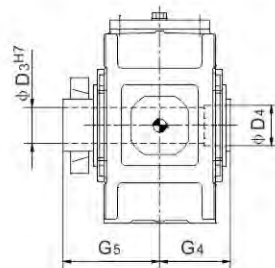
**JRHB4SH**  
实心轴  
Solid shaft



**JRHB4HH**  
空心轴  
Hollow shaft



**JRHB4DH**  
带胀紧盘的空心轴  
Hollow shaft for shrink disk



1)  $m6 \leq \phi 100; n6 > \phi 100$   
平键槽、轮毂键槽、平键和中心孔的具体尺寸，  
见第98-99页

1)  $m6 \leq \phi 100; n6 > \phi 100$   
Keyway、Hubkeyway、Parallel key, see pages 98-99.

直交轴齿轮箱  
四级传动 卧式安装  
类型 JRHB4.H 规格 5-12

Bevel-helical gear units  
Four Stage Horizontal  
Type JRHB4.H Sizes 5-12

规格 Size	尺寸/Dimension (mm)								
	输入轴/Input								
	i <sub>N</sub> =80-180		i <sub>N</sub> =100-224		i <sub>N</sub> =200-315		i <sub>N</sub> =250-400		G <sub>1</sub>
	d <sub>1</sub>	l <sub>1</sub>	d <sub>1</sub>	l <sub>1</sub>	d <sub>1</sub>	l <sub>1</sub>	d <sub>1</sub>	l <sub>1</sub>	
5	28	55			20	50			615
6			28	55			20	50	650
7	30	70			25	60			725
8			30	70			25	60	770
9	35	80			28	60			840
10			35	80			28	60	890
11	45	100			35	80			1010
12			45	100			35	80	1080

规格 Size	尺寸/Dimension (mm)																
	齿轮箱/Gear Units																
	a	b	c	c <sub>1</sub>	D <sub>5</sub>	E	g	h	h <sub>5</sub>	H	m <sub>1</sub>	m <sub>3</sub>	n <sub>1</sub>	n <sub>2</sub>	n <sub>3</sub>	n <sub>4</sub>	s
5	690	255	28	30±1	24	405	97.5	230	100	482	480	220	105	100	455	180	19
6	770	255	28	30±1	24	440	97.5	230	100	482	560	220	105	145	490	180	19
7	845	300	35	36±1	28	495	114	280	140	572	605	260	120	130	560	215	24
8	950	300	35	36±1	28	540	114	280	130	582	710	260	120	190	605	215	24
9	1000	370	40	45±1.5	36	580	140	320	135	662	710	320	145	155	660	245	28
10	1100	370	40	45±1.5	36	630	140	320	135	662	810	320	145	205	710	245	28
11	1200	430	50	54±1.5	40	705	161	380	170	782	870	370	165	180	805	300	35
12	1355	430	50	54±1.5	40	775	161	380	160	790	1025	370	165	265	875	300	35

规格 Size	尺寸/Dimension (mm)									润滑油 Oil (L)	重量 Weight (kg)
	输出轴/ Output										
	JRHB4SH			JRHB4HH		JRHB4DH					
	d <sub>2</sub>	G <sub>2</sub>	l <sub>2</sub>	D <sub>2</sub>	G <sub>4</sub>	D <sub>3</sub>	D <sub>4</sub>	G <sub>4</sub>	G <sub>5</sub>		
5	100	165	210	95	165	100	100	165	240	16	341
6	110	165	210	105	165	110	110	165	240	18	392
7	120	195	210	115	195	120	120	195	280	30	566
8	130	195	250	125	195	130	130	195	285	33	668
9	140	235	250	135	235	140	145	235	330	48	907
10	160	235	300	150	235	150	155	235	350	50	1045
11	170	270	300	165	270	165	170	270	400	80	1514
12	180	270	300	180	270	180	185	270	405	90	1785



直交轴齿轮箱

四级传动 卧式安装

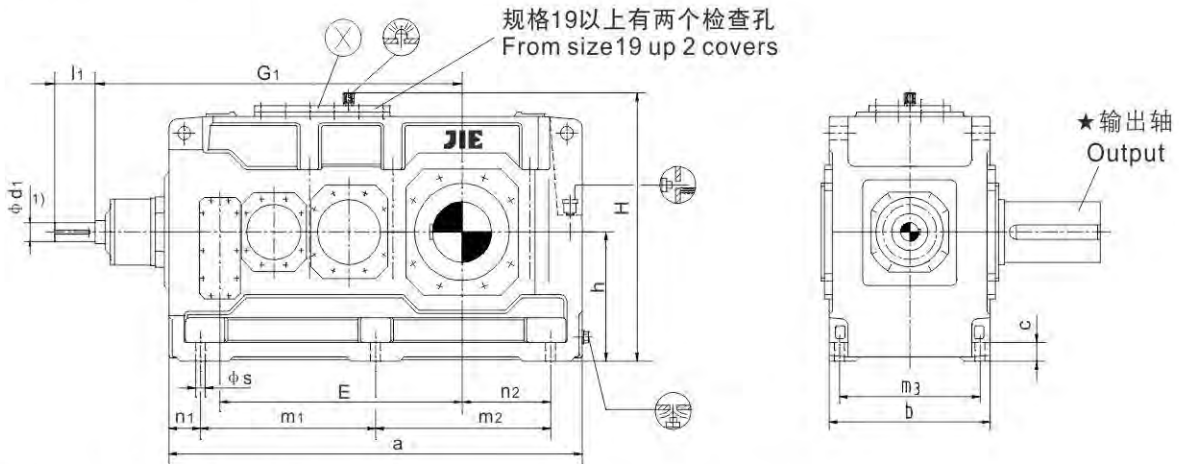
类型 JRHB4.H JRHB4.M 规格 13-22

Bevel-helical gear units

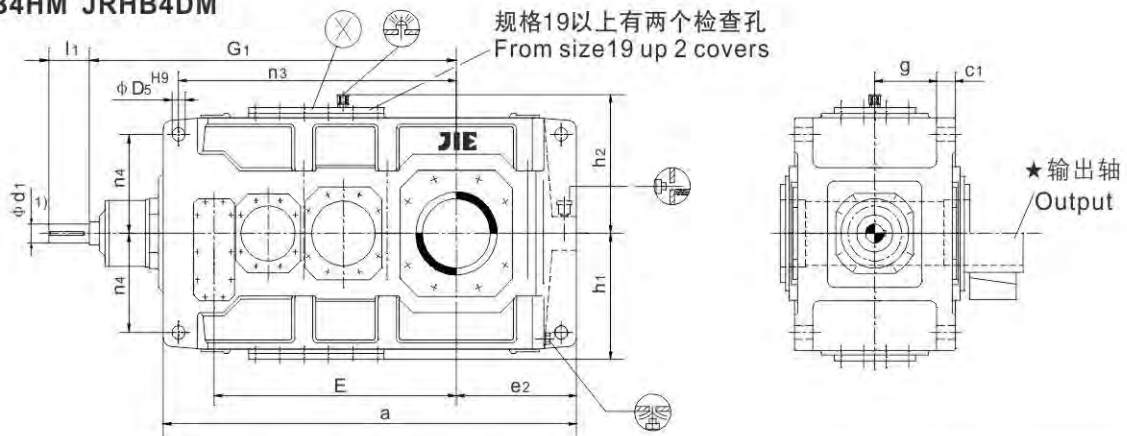
Four Stage Horizontal

Type JRHB4.H JRHB4.M Sizes 13-22

**JRHB4SH JRHB4HH JRHB4DH**



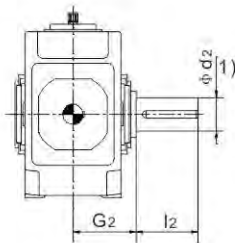
**JRHB4HM JRHB4DM**



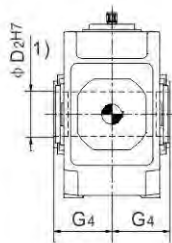
★输出轴 / Output

布置形式 / Design

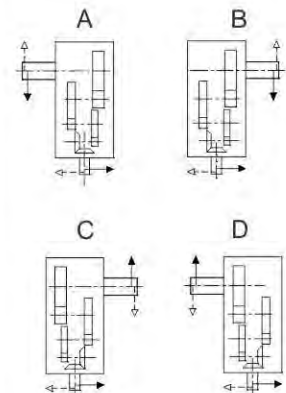
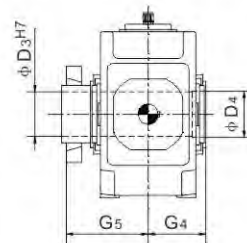
**JRHB4SH**  
实心轴  
Solid shaft



**JRHB4HH, JRHB4HM**  
空心轴  
Hollow shaft



**JRHB4DH, JRHB4DM**  
带胀紧盘的空心轴  
Hollow shaft for shrink disk



1)  $m6 \leq \phi 100; n6 > \phi 100$

平键槽、轮毂键槽、平键和中心孔的具体尺寸，  
见第98-99页

1)  $m6 \leq \phi 100; n6 > \phi 100$

Keyway、Hubkeyway、Parallel key, see pages 98-99.



直交轴齿轮箱

四级传动 卧式安装

类型 JRHB4.H JRHB4.M 规格 13-22

Bevel-helical gear units

Four Stage Horizontal

Type JRHB4.H JRHB4.M Sizes 13-22

规格 Size	尺寸/Dimension (mm)													
	输入轴/Input												G <sub>1</sub>	
	i <sub>N</sub> =80-180		i <sub>N</sub> =90-200		i <sub>N</sub> =100-224		i <sub>N</sub> =200-315		i <sub>N</sub> =224-355		i <sub>N</sub> =250-400			
d <sub>1</sub>	l <sub>1</sub>	d <sub>1</sub>	l <sub>1</sub>	d <sub>1</sub>	l <sub>1</sub>	d <sub>1</sub>	l <sub>1</sub>	d <sub>1</sub>	l <sub>1</sub>	d <sub>1</sub>	l <sub>1</sub>	d <sub>1</sub>	l <sub>1</sub>	
13	55	110					40	100						1170
14					55	110						40	100	1240
15	70	135					50	110						1402
16			70	135					50	110				1448
17	70	135					50	110						1450
18			70	135					50	110				1510
19	80	165					60	140						1680
20			80	165					60	140				1740
21	90	165					70	140						1992
22			90	165					70	140				2047

规格 Size	尺寸/Dimension (mm)									
	齿轮箱/Gear Units									
a	b	c	c <sub>1</sub>	D <sub>5</sub>	e <sub>2</sub>	E	g	h	h <sub>1</sub>	
13	1395	550	60	61±2	48	405	820	211.5	440	450
14	1535	550	60	61±2	48	475	890	211.5	440	450
15	1680	625	70	72±2	55	485	987	238	500	490
16	1770	625	70	72±2	55	530	1033	238	500	490
17	1770	690	80	81±2	55	525	1035	259	550	555
18	1890	690	80	81±2	55	585	1095	259	550	555
19	2030	790	90	91±2	65	590	1190	299	620	615
20	2150	790	90	91±2	65	650	1250	299	620	615
21	2340	830	100	100±2	75	655	1387	310	700	685
22	2450	830	100	100±2	75	710	1442	310	700	685

规格 Size	尺寸/Dimension (mm)									
	齿轮箱/Gear Units									
h <sub>2</sub>	H	m <sub>1</sub>	m <sub>2</sub>	m <sub>3</sub>	n <sub>1</sub>	n <sub>2</sub>	n <sub>3</sub>	n <sub>4</sub>	s	
13	460	900	597.5	597.5	475	100	305	940	340	35
14	460	900	597.5	737.5	475	100	375	1010	340	35
15	500	1000	720	720	535	120	365	1135	375	42
16	500	1000	720	810	535	120	410	1180	375	42
17	560	1110	750	750	600	135	390	1175	425	42
18	560	1110	750	870	600	135	450	1235	425	42
19	620	1240	860	860	690	155	435	1365	475	48
20	620	1240	860	980	690	155	495	1425	475	48
21	690	1390	1000	1000	720	170	485	1600	520	56
22	690	1390	1000	1110	720	170	540	1655	520	56

规格 Size	尺寸/Dimension (mm)									润滑油/Oil (L)		重量/Weight (kg)	
	输出轴/Output									JRHB4.H	JRHB4.M	JRHB4.H	JRHB4.M
	JRHB4SH			JRHB4HH JRHB4HM		JRHB4DH		JRHB4DM					
d <sub>2</sub>	G <sub>2</sub>	l <sub>2</sub>	D <sub>2</sub>	G <sub>4</sub>	D <sub>3</sub>	D <sub>4</sub>	G <sub>4</sub>	G <sub>5</sub>					
13	200	335	350	190	335	190	195	335	480	145	120	2442	2325
14	210	335	350	210	335	210	215	335	480	150	125	2789	2657
15	230	380	410	230	380	230	235	380	550	230	170	3702	3503
16	240	380	410	240	380	240	245	380	550	235	175	4064	3840
17	250	415	410	250	415	250	260	415	600	295	230	4788	4549
18	270	415	470	275	415	280	285	415	600	305	235	5304	5028
19	290	465	470	-	-	285	295	465	670	480	440	5865	5508
20	300	465	500	-	-	310	315	465	670	550	510	6579	6120
21	320	490	500	-	-	330	335	490	715	540	590	9200	8600
22	340	490	500	-	-	340	345	490	725	620	680	9900	9400



直交轴齿轮箱

四级传动 卧式安装

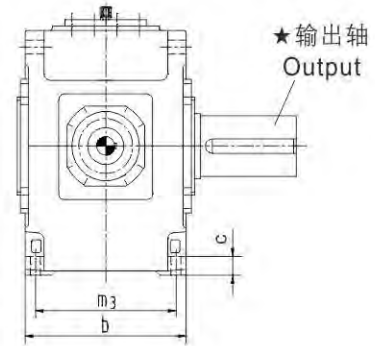
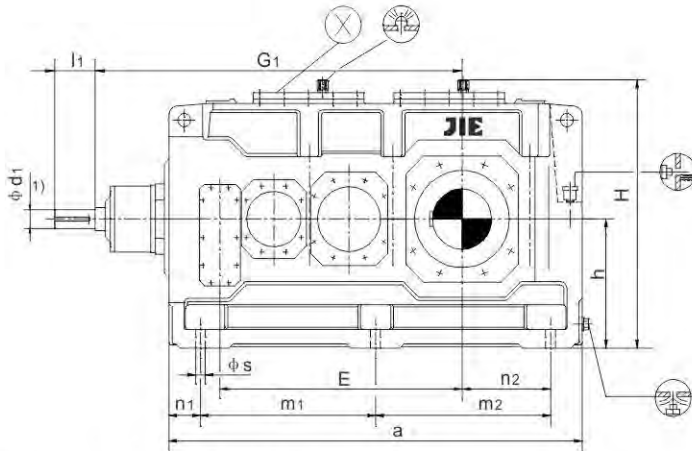
类型 JRHB4.H JRHB4.M 规格 23-28

Bevel-helical gear units

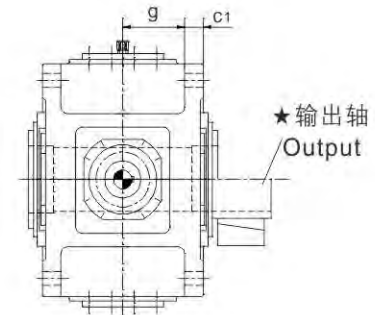
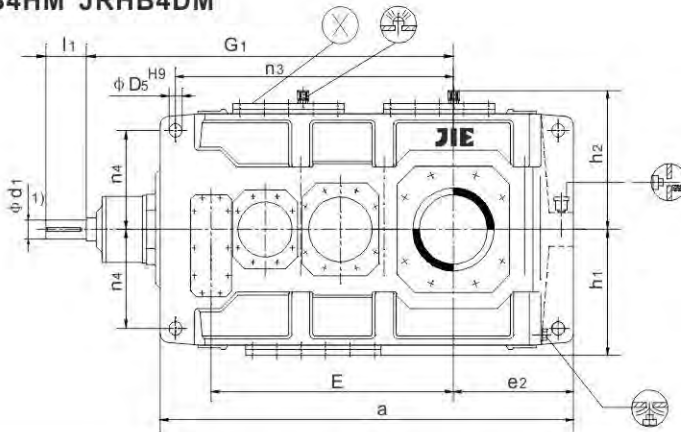
Four Stage Horizontal

Type JRHB4.H JRHB4.M Sizes 23-28

**JRHB4SH JRHB4HH JRHB4DH**



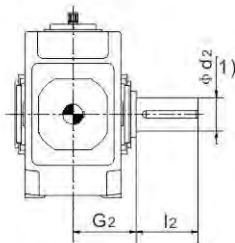
**JRHB4HM JRHB4DM**



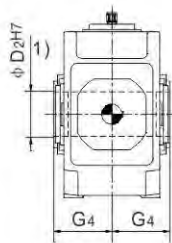
★输出轴 / Output

布置形式 / Design

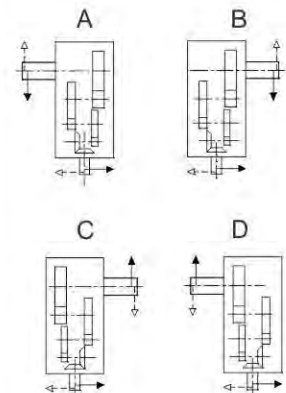
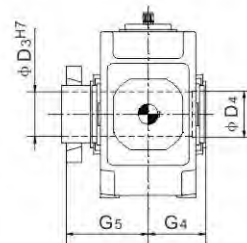
**JRHB4SH**  
实心轴  
Solid shaft



**JRHB4HH, JRHB4HM**  
空心轴  
Hollow shaft



**JRHB4DH, JRHB4DM**  
带胀紧盘的空心轴  
Hollow shaft for shrink disk



1)  $m6 \leq \phi 100; n6 > \phi 100$   
平键槽、轮毂键槽、平键和中心孔的具体尺寸，  
见第98-99页

1)  $m6 \leq \phi 100; n6 > \phi 100$   
Keyway、Hubkeyway、Parallel key, see pages 98-99.

直交轴齿轮箱

四级传动 卧式安装

类型 JRHB4.H JRHB4.M 规格 23-28

Bevel-helical gear units

Four Stage Horizontal

Type JRHB4.H JRHB4.M Sizes 23-28

规格 Size	尺寸/Dimension (mm)								
	输入轴/Input								
	i <sub>N</sub> =80-160		i <sub>N</sub> =90-180		i <sub>N</sub> =180-315		i <sub>N</sub> =200-355		G <sub>1</sub>
	d <sub>1</sub>	l <sub>1</sub>	d <sub>1</sub>	l <sub>1</sub>	d <sub>1</sub>	l <sub>1</sub>	d <sub>1</sub>	l <sub>1</sub>	
23	90	165			70	140			2110
24			90	165			70	140	2175
25	110	205			80	170			2395
26			110	205			80	170	2485
27	130	245			100	210			2762
28			120	245			100	210	2857

规格 Size	尺寸/Dimension (mm)									
	齿轮箱/Gear Units									
	a	b	c	c <sub>1</sub>	D <sub>5</sub>	e <sub>2</sub>	E	g	h	h <sub>1</sub>
23	2530	930	115	120±2	80	730	1505	342	780	765
24	2660	930	115	120±2	80	795	1570	342	780	765
25	2830	1045	130	120±2	90	790	1695	400	860	860
26	3010	1045	130	120±2	90	880	1785	400	860	860
27	3220	1170	150	145±2	100	880	1927	440	950	930
28	3410	1170	150	145±2	100	975	2022	440	950	930

规格 Size	尺寸/Dimension (mm)									
	齿轮箱/Gear Units									
	h <sub>2</sub>	H	m <sub>1</sub>	m <sub>2</sub>	m <sub>3</sub>	n <sub>1</sub>	n <sub>2</sub>	n <sub>3</sub>	n <sub>4</sub>	s
23	785	1565	1085	1085	810	180	550	1725	580	56
24	785	1565	1085	1215	810	180	615	1790	580	56
25	880	1740	1215	1215	910	200	590	1965	660	66
26	880	1740	1215	1395	910	200	680	2055	660	66
27	950	1900	1390	1390	1030	220	660	2260	720	74
28	950	1900	1390	1580	1030	220	755	2355	720	74

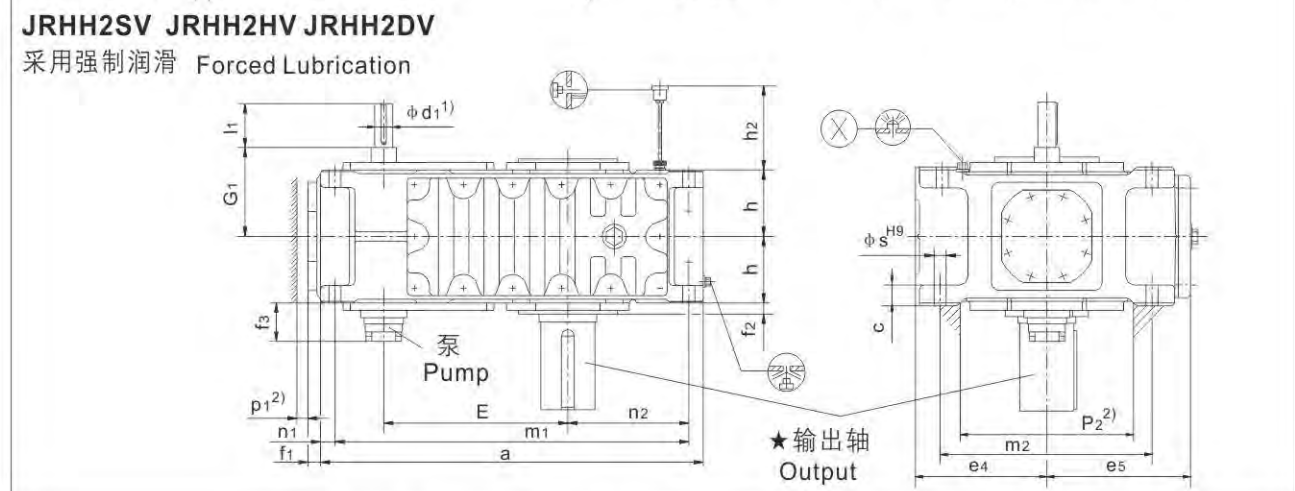
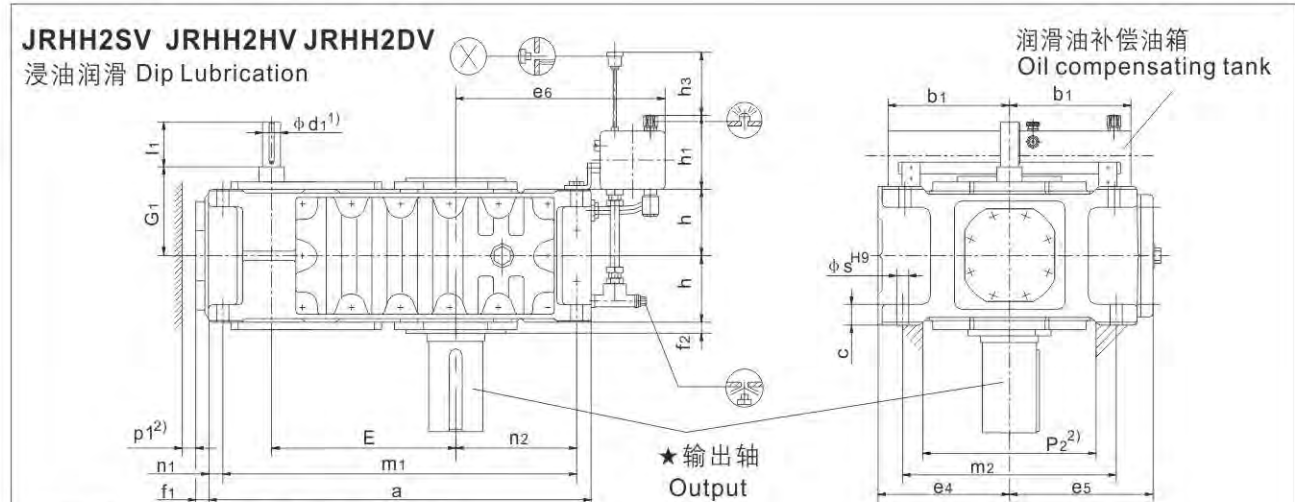
规格 Size	尺寸/Dimension (mm)							润滑油/Oil (L)		重量/Weight (kg)	
	输出轴/Output							JRHB4.H	JRHB4.M	JRHB4.H	JRHB4.M
	JRHB4SH			JRHB4DH JRHB4DM							
	d <sub>2</sub>	G <sub>2</sub>	l <sub>2</sub>	D <sub>3</sub>	D <sub>4</sub>	G <sub>4</sub>	G <sub>5</sub>				
23	360	540	590	370	375	540	800	710	790	12000	11400
24	380	540	590	390	395	540	820	810	910	13500	12800
25	400	605	650	410	415	610	895	1000	1110	16300	15500
26	420	605	650	430	435	610	925	1150	1280	18000	17100
27	440	680	690	460	465	680	1000	1430	1590	23000	22000
28	460	680	750	470	475	680	1020	1580	1750	26200	25000





平行轴齿轮箱  
 两级传动 立式安装  
 类型 JRHH2.V 规格 4-12

Helical gear units  
 Two Stage Vertical  
 Type JRHH2.V Sizes 4-12



★输出轴 / Output			布置形式 / Design
<p><b>JRHH2SV</b>                      实心轴                      Solid shaft</p>	<p><b>JRHH2HV</b>                      空心轴                      Hollow shaft</p>	<p><b>JRHH2DV</b>                      带胀紧盘的空心轴                      Hollow shaft for shrink disk</p> <p>输出轴 Output</p> <p>布置形式A、D根据用户要求供货                      A, D designs on request</p>	<p>泵 Pump</p> <p>A </p> <p>B </p> <p>C </p> <p>D </p>
<p>1) <math>m6 \leq \phi 100; n6 &gt; \phi 100</math>                      平键槽、轮毂键槽、平键和中心孔的具体尺寸，                      见第98-99页</p> <p>2) 油泵、油管和护盖所需的尺寸，欲了解                      精确尺寸，请咨询杰牌。</p>		<p>1) <math>m6 \leq \phi 100; n6 &gt; \phi 100</math>                      Keyway、Hubkeyway、Parallel key,                      see pages 98-99.</p> <p>2) Space for pump, pipes and cover, for exact                      dimensions, please refer to JIE.</p>	

平行轴齿轮箱  
 两级传动 立式安装  
 类型 JRHH2.V 规格 4-12

Helical gear units  
 Two Stage Vertical  
 Type JRHH2.V Sizes 4-12

规格 Size	尺寸/Dimension (mm)								
	输入轴/Input								
	i <sub>N</sub> =6.3-11.2		i <sub>N</sub> =8-14		i <sub>N</sub> =12.5-22.4		i <sub>N</sub> =16-28		G <sub>1</sub>
d <sub>1</sub>	l <sub>1</sub>	d <sub>1</sub>	l <sub>1</sub>	d <sub>1</sub>	l <sub>1</sub>	d <sub>1</sub>	l <sub>1</sub>		
4	48	100			48	100			140
5	50	100			38	80			195
6			50	100			38	80	195
7	60	135			50	110			210
8			60	135			50	110	210
9	75	140			60	140			240
10			75	140			60	140	240
11	90	165			70	140			275
12			90	165			70	140	275

规格 Size	尺寸/Dimension (mm)									
	齿轮箱/Gear Units									
a	b <sub>1</sub>	c	e <sub>4</sub>	e <sub>5</sub>	e <sub>6</sub>	E	f <sub>1</sub>	f <sub>2</sub>	f <sub>3</sub>	
4	565	150	30±1	200	215	320	270	28	22	-
5	640	240	30±1	230	252	385	315	38	28	150
6	720	240	30±1	230	252	425	350	38	28	150
7	785	240	36±1	280	292	425	385	42	30	145
8	890	240	36±1	280	302	485	430	42	32	145
9	925	330	45±1.5	320	342	560	450	42	32	135
10	1025	330	45±1.5	320	342	610	500	42	32	135
11	1105	330	54±1.5	380	402	595	545	48	35	145
12	1260	330	54±1.5	380	410	680	615	48	35	145

规格 Size	尺寸/Dimension (mm)										
	齿轮箱/Gear Units										
h	h <sub>1</sub>	h <sub>2</sub>	h <sub>3</sub>	m <sub>1</sub>	m <sub>2</sub>	n <sub>1</sub>	n <sub>2</sub>	P <sub>1</sub>	P <sub>2</sub>	s	
4	107.5	165	-	180	505	300	30	160	35	220	24
5	127.5	205	190	240	580	360	30	175	35	270	24
6	127.5	205	190	240	660	360	30	220	35	270	24
7	150	205	165	250	715	430	35	215	35	330	28
8	150	205	165	250	820	430	35	275	35	330	28
9	185	275	205	330	845	490	40	260	40	370	36
10	185	275	205	330	945	490	40	310	40	370	36
11	215	275	240	340	1005	600	50	295	50	440	40
12	215	275	240	340	1160	600	50	380	50	440	40

规格 Size	尺寸/Dimension (mm)									润滑油/Oil (L)		重量 Weight (kg)
	输出轴/Output									浸油润滑 Dip lubrication	强制润滑 Forced lubrication	
	JRHH2SV			JRHH2HV		JRHH2DV						
d <sub>2</sub>	G <sub>2</sub>	l <sub>2</sub>	D <sub>2</sub>	G <sub>4</sub>	D <sub>3</sub>	D <sub>4</sub>	G <sub>4</sub>	G <sub>5</sub>				
4	80	140	170	80	140	85	85	140	205	23	-	190
5	100	165	210	95	165	100	100	165	240	23	10	306
6	110	165	210	105	165	110	110	165	240	27	11	362
7	120	195	210	115	195	120	120	195	280	58	22	515
8	130	195	250	125	195	130	130	195	285	62	25	601
9	140	235	250	135	235	140	145	235	330	100	42	846
10	160	235	300	150	235	150	155	235	350	110	46	979
11	170	270	300	165	270	165	170	270	400	160	60	1361
12	180	270	300	180	270	180	185	270	405	180	70	1647



平行轴齿轮箱

两级传动 立式安装

类型 JRHH2.V 规格 13-18

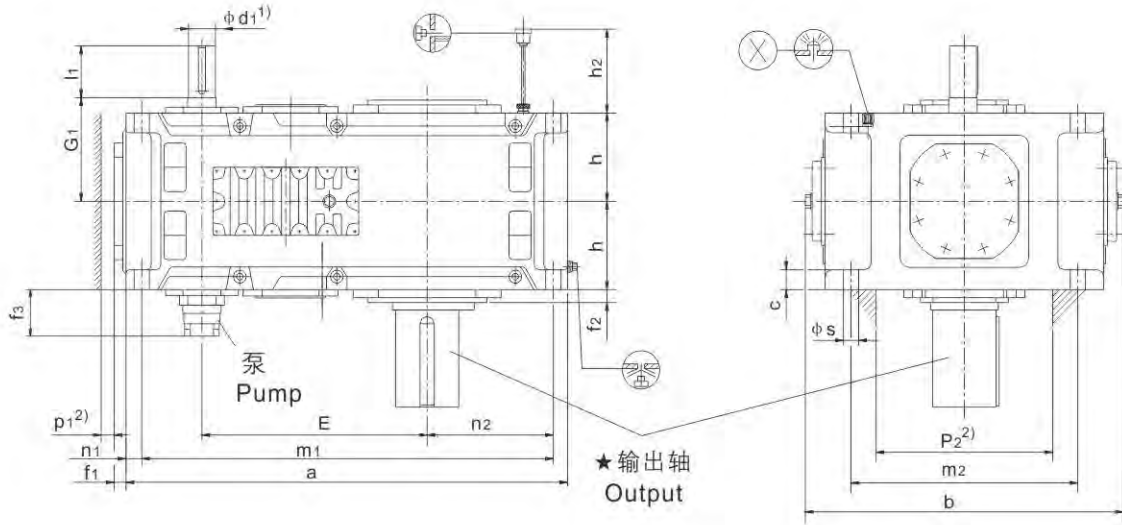
Helical gear units

Two Stage Vertical

Type JRHH2.V Sizes 13-18

**JRHH2SV JRHH2HV JRHH2DV**

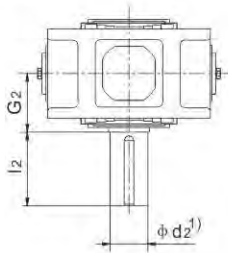
采用强制润滑  
Forced Lubrication



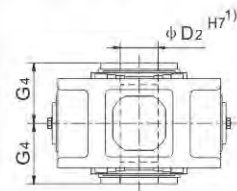
★ 输出轴 / Output

布置形式 / Design

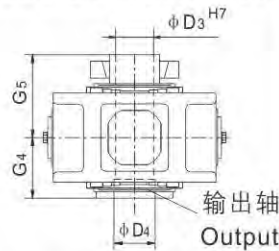
**JRHH2SV**  
实心轴  
Solid shaft



**JRHH2HV**  
空心轴  
Hollow shaft

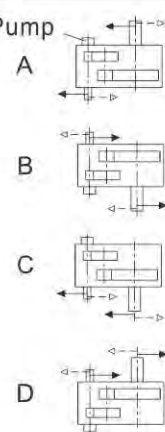


**JRHH2DV**  
带胀紧盘的空心轴  
Hollow shaft for shrink disk



布置形式A、D根据用户要求供货  
A, D designs on request

泵 Pump



- 1)  $m6 \leq \phi 100; n6 > \phi 100$   
平键槽、轮毂键槽、平键和中心孔的具体尺寸，见第98-99页
- 2) 油泵、油管和护盖所需的尺寸，欲了解精确尺寸，请咨询杰牌。
- 3) 规格13和15：仅有  $i_n=6.3-18$   
规格17：仅有  $i_n=6.3-16$

- 1)  $m6 \leq \phi 100; n6 > \phi 100$   
Keyway、Hubkeyway、Parallel key, see pages 98-99.
- 2) Space for pump, pipes and cover. for exact dimensions, please refer to JIE.
- 3) Sizes 13 and 15: only  $i_n=6.3-18$   
Sizes 17: only  $i_n=6.3-16$



平行轴齿轮箱  
 两级传动 立式安装  
 类型 JRHH2.V 规格 13-18

Helical gear units  
 Two Stage Vertical  
 Type JRHH2.V Sizes 13-18



规格 Size	尺寸/Dimension (mm)													G <sub>1</sub>
	输入轴/Input													
	i <sub>N</sub> =6.3-11.2		i <sub>N</sub> =7.1-12.5		i <sub>N</sub> =8-14		i <sub>N</sub> =12.5-20		i <sub>N</sub> =14-22.4		i <sub>N</sub> =16-25			
	d <sub>1</sub>	l <sub>1</sub>	d <sub>1</sub>	l <sub>1</sub>	d <sub>1</sub>	l <sub>1</sub>	d <sub>1</sub>	l <sub>1</sub>	d <sub>1</sub>	l <sub>1</sub>	d <sub>1</sub>	l <sub>1</sub>		
13	100	205					85	170					330	
14					100	205					85	170	330	
15	120	210					100	210					365	
16			120	210					100	210			365	
17	125	245					110	210					420	
18			125	245					110	210			420	

规格 Size	尺寸/Dimension (mm)															
	齿轮箱/Gear Units															
	a	b	c	E	f <sub>1</sub>	f <sub>2</sub>	f <sub>3</sub>	h	h <sub>2</sub>	m <sub>1</sub>	m <sub>2</sub>	n <sub>1</sub>	n <sub>2</sub>	p <sub>1</sub>	p <sub>2</sub>	s
13	1290	900	61±2	635	53	35	130	272.5	300	1195	680	50	360	50	500	48
14	1430	900	61±2	705	53	35	130	272.5	300	1335	680	50	430	50	500	48
15	1550	980	72±2	762	63	42	130	310	340	1435	750	60	430	50	570	55
16	1640	980	72±2	808	63	42	130	310	340	1525	750	60	475	50	570	55
17	1740	1110	81±2	860	60	42	170	340	374	1610	850	70	465	70	630	55
18	1860	1110	81±2	920	60	42	170	340	374	1730	850	70	525	70	630	55

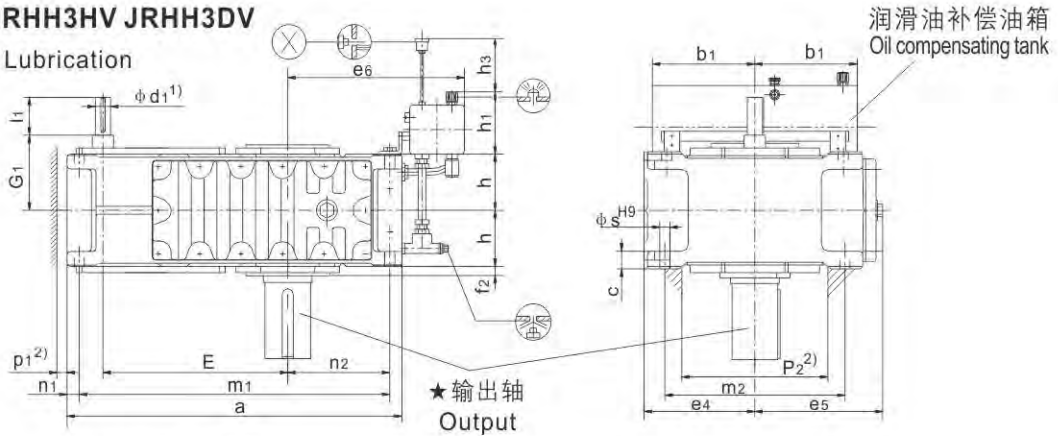
规格 Size	尺寸/Dimension (mm)										润滑油 Oil (L)	重量 Weight (kg)
	输出轴/Output											
	JRHH2SV			JRHH2HV		JRHH2DV						
	d <sub>2</sub>	G <sub>2</sub>	l <sub>2</sub>	D <sub>2</sub>	G <sub>4</sub>	D <sub>3</sub>	D <sub>4</sub>	G <sub>4</sub>	G <sub>5</sub>			
13	200	335	350	190	335	190	195	335	480	80	1917	
14	210	335	350	210	335	210	215	335	480	90	2478	
15	230	380	410	230	380	230	235	380	550	140	3304	
16	240	380	410	240	380	240	245	380	550	150	3534	
17	250	415	410	250	415	250	260	415	600	175	4508	
18	270	415	470	275	415	280	285	415	600	185	4967	

平行轴齿轮箱  
 三级传动 立式安装  
 类型 JRHH3.V 规格 5-12

Helical gear units  
 Three Stage Vertical  
 Type JRHH3.V Sizes 5-12

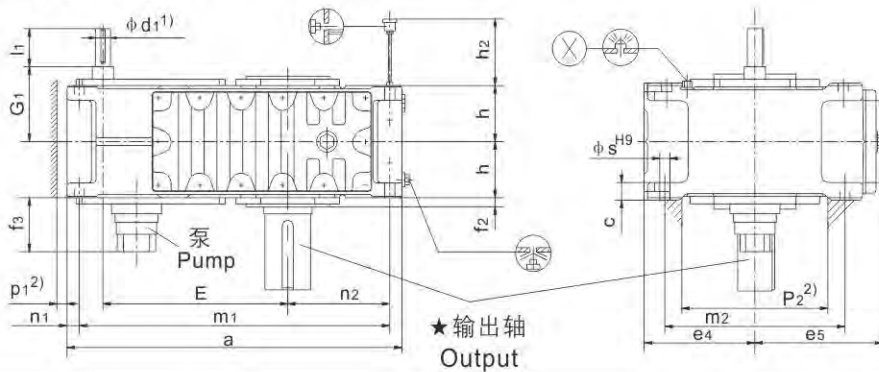
**JRHH3SV JRHH3HV JRHH3DV**

浸油润滑 Dip Lubrication



**JRHH3SV JRHH3HV JRHH3DV**

采用强制润滑 Forced Lubrication

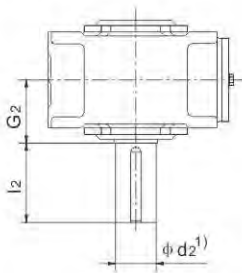


★输出轴 / Output

布置形式 / Design

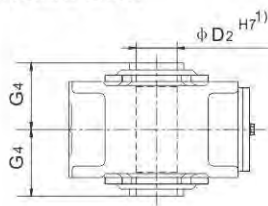
**JRHH3SV**

实心轴  
 Solid shaft



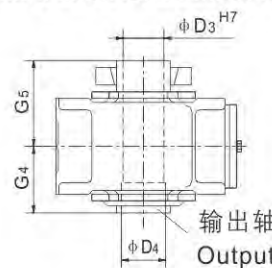
**JRHH3HV**

空心轴  
 Hollow shaft



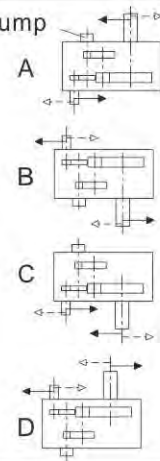
**JRHH3DV**

带胀紧盘的空心轴  
 Hollow shaft for shrink disk



布置形式A、D根据用户要求供货  
 A、D designs on request

泵 Pump



- 1)  $m6 \leq \phi 100; n6 > \phi 100$   
 平键槽、轮毂键槽、平键和中心孔的具体尺寸，  
 见第98-99页
- 2) 油泵、油管和护盖所需的尺寸，欲了解  
 精确尺寸，请咨询杰牌。

- 1)  $m6 \leq \phi 100; n6 > \phi 100$   
 Keyway, Hubkeyway, Parallel key, see pages 98-99.
- 2) Space for pump, pipes and cover; for exact dimensions,  
 Please refer to JIE.

平行轴齿轮箱  
 三级传动 立式安装  
 类型 JRHH3.V 规格 5-12

Helical gear units  
 Three Stage Vertical  
 Type JRHH3.V Sizes 5-12

规格 Size	尺寸/Dimension (mm)												
	输入轴/Input												G <sub>1</sub>
	i <sub>N</sub> =25-45		i <sub>N</sub> =31.5-56		i <sub>N</sub> =50-63		i <sub>N</sub> =63-80		i <sub>N</sub> =71-90		i <sub>N</sub> =90-112		
d <sub>1</sub>	l <sub>1</sub>	d <sub>1</sub>	l <sub>1</sub>	d <sub>1</sub>	l <sub>1</sub>	d <sub>1</sub>	l <sub>1</sub>	d <sub>1</sub>	l <sub>1</sub>	d <sub>1</sub>	l <sub>1</sub>	d <sub>1</sub>	l <sub>1</sub>
5	40	70			30	50			24	40			160
6			40	70			30	50			24	40	160
7	45	80			35	60			28	50			185
8			45	80			35	60			28	50	185
9	60	125			45	100			32	80			230
10			60	125			45	100			32	80	230
11	70	120			50	80			42	70			255
12			70	120			50	80			42	70	255

规格 Size	尺寸/Dimension (mm)										
	齿轮箱/Gear Units										
a	b <sub>1</sub>	c	e <sub>4</sub>	e <sub>5</sub>	e <sub>6</sub>	E	f <sub>2</sub>	f <sub>3</sub>	h		
5	690	240	30±1	230	252	385	405	28	190	127.5	
6	770	240	30±1	230	252	425	440	28	190	127.5	
7	845	240	36±1	280	292	425	495	30	185	150	
8	950	240	36±1	280	312	485	540	32	185	150	
9	1000	330	45±1.5	320	342	560	580	32	170	185	
10	1100	330	45±1.5	320	342	610	630	32	170	185	
11	1200	330	54±1.5	380	402	595	705	35	170	215	
12	1355	330	54±1.5	380	410	680	775	35	170	215	

规格 Size	尺寸/Dimension (mm)										
	齿轮箱/Gear Units										
h <sub>1</sub>	h <sub>2</sub>	h <sub>3</sub>	m <sub>1</sub>	m <sub>2</sub>	n <sub>1</sub>	n <sub>2</sub>	p <sub>1</sub>	p <sub>2</sub>	s		
5	205	190	240	630	360	30	175	35	270	24	
6	205	190	240	710	360	30	220	35	270	24	
7	205	165	250	775	430	35	215	35	330	28	
8	205	165	250	880	430	35	275	35	330	28	
9	275	205	330	920	490	40	260	40	370	36	
10	275	205	330	1020	490	40	310	40	370	36	
11	275	240	340	1100	600	50	295	50	440	40	
12	275	240	340	1255	600	50	380	50	440	40	

规格 Size	尺寸/Dimension (mm)									润滑油/Oil (L)		重量 Weight (kg)
	输出轴/Output									浸油润滑 Dip lubrication	强制润滑 Forced lubrication	
	JRHH3SV			JRHH3HV		JRHB3DV						
d <sub>2</sub>	G <sub>2</sub>	l <sub>2</sub>	D <sub>2</sub>	G <sub>4</sub>	D <sub>3</sub>	D <sub>4</sub>	G <sub>4</sub>	G <sub>5</sub>				
5	100	165	210	95	165	100	100	165	240	35	13	326
6	110	165	210	105	165	110	110	165	240	37	15	372
7	120	195	210	115	195	120	120	195	280	60	25	550
8	130	195	250	125	195	130	130	195	285	72	30	637
9	140	235	250	135	235	140	145	235	330	100	40	892
10	160	235	300	150	235	150	155	235	350	110	45	1040
11	170	270	300	165	270	165	170	270	400	170	66	1428
12	180	270	300	180	270	180	185	270	405	190	75	1708



平行轴齿轮箱

三级传动 立式安装

类型 JRHH3.V 规格 13-18

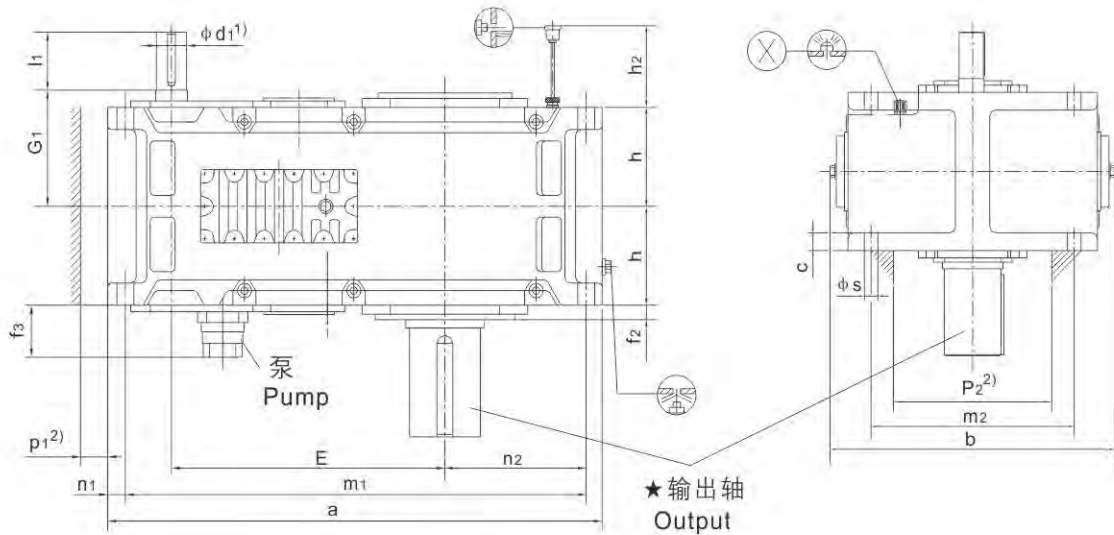
Helical gear units

Three Stage Vertical

Type JRHH3.V Sizes 13-18

**JRHH3SV JRHH3HV JRHH3DV**

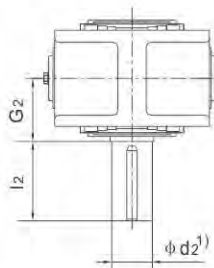
采用强制润滑 Forced Lubrication



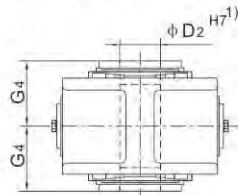
★输出轴 / Output

布置形式 / Design

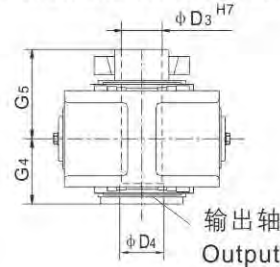
**JRHH3SV**  
实心轴  
Solid shaft



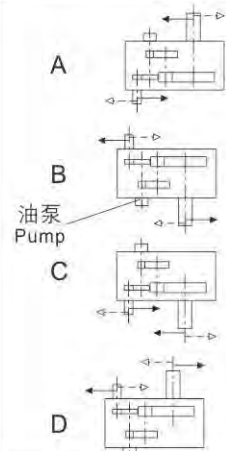
**JRHH3HV**  
空心轴  
Hollow shaft



**JRHH3DV**  
带胀紧盘的空心轴  
Hollow shaft for shrink disk



布置形式A、D根据用户要求供货  
A, D designs on request



- 1)  $m6 \leq \phi 100; n6 > \phi 100$   
平键槽、轮毂键槽、平键和中心孔的具体尺寸，见第98-99页
- 2) 油泵、油管和护盖所需的尺寸，欲了解精确尺寸，请咨询杰牌。

- 1)  $m6 \leq \phi 100; n6 > \phi 100$   
Keyway、Hubkeyway、Parallel key, see pages 98-99.
- 2) Space for pump, pipes and cover; for exact dimensions, Please refer to JIE.



平行轴齿轮箱  
 三级传动 立式安装  
 类型 JRHH3.V 规格 13-18

Helical gear units  
 Three Stage Vertical  
 Type JRHH3.V Sizes 13-18



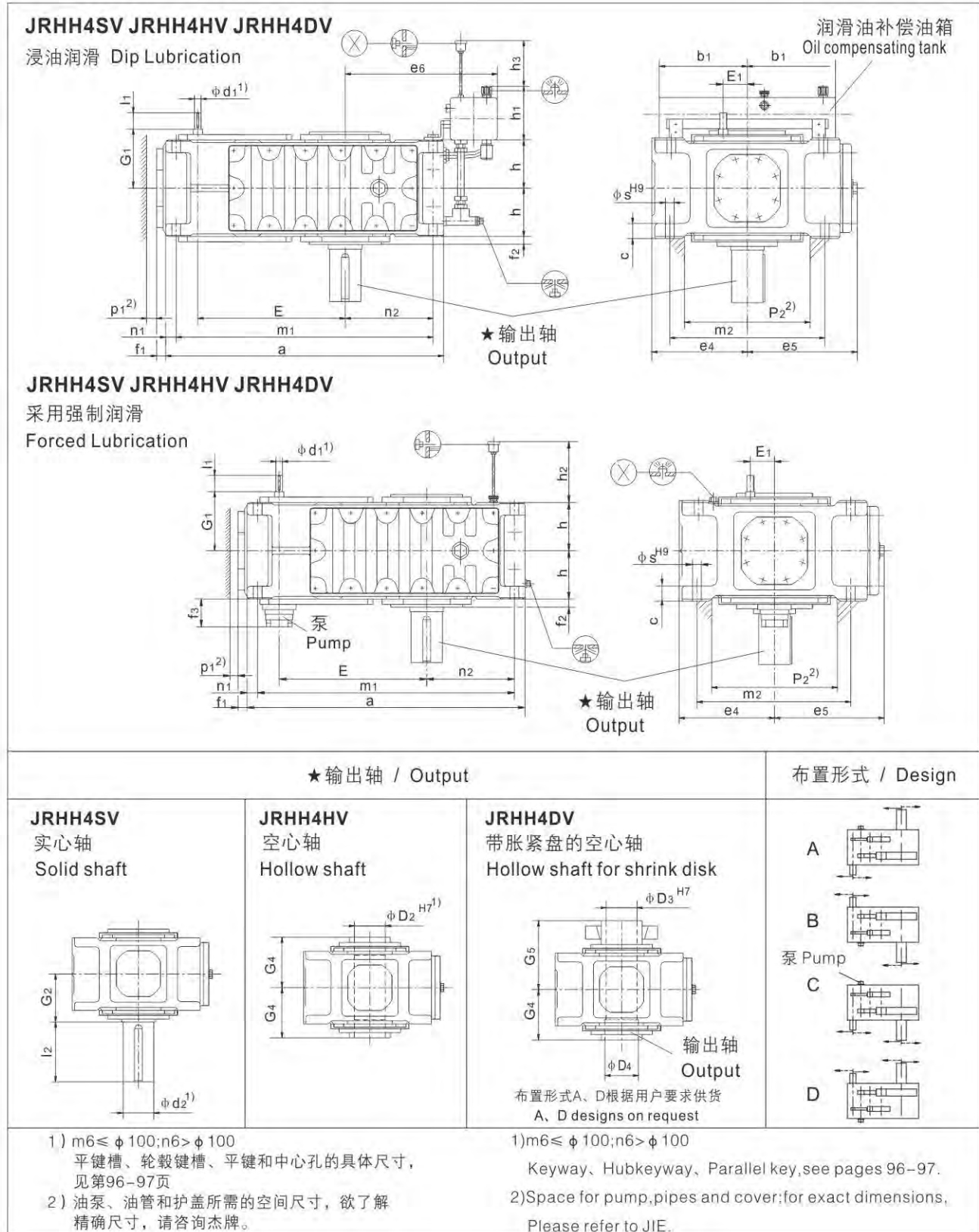
规格 Size	尺寸/Dimension (mm)																			
	输入轴/Input																			
	i <sub>N</sub> =22.4-45		i <sub>N</sub> =25-50		i <sub>N</sub> =28-56		i <sub>N</sub> =50-63		i <sub>N</sub> =56-71		i <sub>N</sub> =63-80		i <sub>N</sub> =71-90		i <sub>N</sub> =80-100		i <sub>N</sub> =90-112		G <sub>1</sub>	
d <sub>1</sub>	l <sub>1</sub>	d <sub>1</sub>	l <sub>1</sub>	d <sub>1</sub>	l <sub>1</sub>	d <sub>1</sub>	l <sub>1</sub>	d <sub>1</sub>	l <sub>1</sub>	d <sub>1</sub>	l <sub>1</sub>	d <sub>1</sub>	l <sub>1</sub>	d <sub>1</sub>	l <sub>1</sub>	d <sub>1</sub>	l <sub>1</sub>			
13	85	160					60	135					50	110					310	
14					85	160					60	135						50	110	310
15	100	200					75	140					60	140						350
16			100	200					75	140					60	140				350
17	100	200					75	140					60	140						380
18			100	200					75	140					60	140				380

规格 Size	尺寸/Dimension (mm)															
	齿轮箱/Gear Units															
	a	b	c	E	f <sub>2</sub>	f <sub>3</sub>	h	h <sub>2</sub>	m <sub>1</sub>	m <sub>2</sub>	n <sub>1</sub>	n <sub>2</sub>	p <sub>1</sub>	p <sub>2</sub>	s	
13	1395	900	61±2	820	35	170	272.5	300	1300	680	50	360	50	500	48	
14	1535	900	61±2	890	35	170	272.5	300	1440	680	50	430	50	500	48	
15	1680	980	72±2	987	42	170	310	340	1565	750	60	430	50	570	55	
16	1770	980	72±2	1033	42	170	310	340	1655	750	60	475	50	570	55	
17	1770	1110	81±2	1035	42	210	340	374	1640	850	70	465	70	630	55	
18	1890	1110	81±2	1095	42	210	340	374	1760	850	70	525	70	630	55	

规格 Size	尺寸/Dimension (mm)										润滑油 Oil (L)	重量 Weight (kg)
	输出轴/Output											
	JRHH3SV			JRHH3HV		JRHH3DV						
	d <sub>2</sub>	G <sub>2</sub>	l <sub>2</sub>	D <sub>2</sub>	G <sub>4</sub>	D <sub>3</sub>	D <sub>4</sub>	G <sub>4</sub>	G <sub>5</sub>			
13	200	335	350	190	335	190	195	335	480	115	2198	
14	210	335	350	210	335	210	215	335	480	125	2539	
15	230	380	410	230	380	230	235	380	550	180	3325	
16	240	380	410	240	380	240	245	380	550	190	3697	
17	250	415	410	250	415	250	260	415	600	190	4335	
18	270	415	470	275	415	280	265	415	600	200	4834	

平行轴齿轮箱  
四级传动 立式安装  
类型 JRHH4.V 规格 7-12

Helical gear units  
Four Stage Vertical  
Type JRHH4.V Sizes 7-12



平行轴齿轮箱  
四级传动 立式安装  
类型 JRHH4.V 规格 7-12

Helical gear units  
Four Stage Vertical  
Type JRHH4.V Sizes 7-12



规格 Size	尺寸/Dimension (mm)								
	输入轴/Input								
	i <sub>N</sub> =100-180		i <sub>N</sub> =125-224		i <sub>N</sub> =200-355		i <sub>N</sub> =250-450		G <sub>1</sub>
d <sub>1</sub>	l <sub>1</sub>	d <sub>1</sub>	l <sub>1</sub>	d <sub>1</sub>	l <sub>1</sub>	d <sub>1</sub>	l <sub>1</sub>		
7	30	50			24	40			180
8			30	50			24	40	180
9	35	60			28	50			215
10			35	60			28	50	215
11	45	100			32	80			250
12			45	100			32	80	250

规格 Size	尺寸/Dimension (mm)										
	齿轮箱/Gear Units										
	a	b <sub>1</sub>	c	e <sub>4</sub>	e <sub>5</sub>	e <sub>6</sub>	E	E <sub>1</sub>	f <sub>1</sub>	f <sub>2</sub>	f <sub>3</sub>
7	845	240	36 ± 1	280	292	425	495	80	37	30	160
8	950	240	36 ± 1	280	312	485	540	80	37	32	160
9	1000	330	45 ± 1.5	320	342	560	580	90	43	32	170
10	1100	330	45 ± 1.5	320	342	610	630	90	43	32	170
11	1200	330	54 ± 1.5	380	402	595	705	110	47	35	170
12	1355	330	54 ± 1.5	380	410	680	775	110	47	35	170

规格 Size	尺寸/Dimension (mm)										
	齿轮箱/Gear Units										
	h	h <sub>1</sub>	h <sub>2</sub>	h <sub>3</sub>	m <sub>1</sub>	m <sub>2</sub>	n <sub>1</sub>	n <sub>2</sub>	p <sub>1</sub>	p <sub>2</sub>	s
7	150	205	165	250	775	430	35	215	35	330	28
8	150	205	165	250	880	430	35	275	35	330	28
9	185	275	205	330	920	490	40	260	40	370	36
10	185	275	205	330	1020	490	40	310	40	370	36
11	215	275	240	340	1100	600	50	295	50	440	40
12	215	275	240	340	1255	600	50	380	50	440	40

规格 Size	尺寸/Dimension (mm)									润滑油/Oil (L)		重量 Weight (kg)
	输出轴/Output									轴封 Shaft seal	迷宫式密封 Labyrinth seal	
	JRHH4SV			JRHH4HV		JRHH4DV						
	d <sub>2</sub>	G <sub>2</sub>	l <sub>2</sub>	D <sub>2</sub>	G <sub>4</sub>	D <sub>3</sub>	D <sub>4</sub>	G <sub>4</sub>	G <sub>5</sub>			
7	120	195	210	115	195	120	120	195	280	50	20	561
8	130	195	250	125	195	130	130	195	285	60	25	657
9	140	235	250	135	235	140	145	235	330	95	38	892
10	160	235	300	150	235	150	155	235	350	110	45	1030
11	170	270	300	165	270	165	170	270	400	165	65	1509
12	180	270	300	180	270	180	185	270	405	180	75	1759

平行轴齿轮箱  
四级传动 立式安装  
类型 JRHH4.V 规格 13-18

Helical gear units  
Four Stage Vertical  
Type JRHH4.V Sizes 13-18



规格 Size	尺寸/Dimension (mm)												
	输入轴/Input												
	i <sub>N</sub> =100-180		i <sub>N</sub> =112-200		i <sub>N</sub> =125-224		i <sub>N</sub> =200-355		i <sub>N</sub> =224-400		i <sub>N</sub> =250-450		G <sub>1</sub>
	d <sub>1</sub>	l <sub>1</sub>	d <sub>1</sub>	l <sub>1</sub>	d <sub>1</sub>	l <sub>1</sub>	d <sub>1</sub>	l <sub>1</sub>	d <sub>1</sub>	l <sub>1</sub>	d <sub>1</sub>	l <sub>1</sub>	
13	50	100					38	80					305
14					50	100					38	80	305
15	60	135					50	110					345
16			60	135					50	110			345
17	60	105					50	80					380
18			60	105					50	80			380

规格 Size	尺寸/Dimension (mm)																
	齿轮箱/Gear Units																
	a	b	c	e <sub>7</sub>	E	E <sub>1</sub>	f <sub>1</sub>	f <sub>2</sub>	h	h <sub>2</sub>	m <sub>1</sub>	m <sub>2</sub>	n <sub>1</sub>	n <sub>2</sub>	p <sub>1</sub>	p <sub>2</sub>	s
13	1395	900	61±2	695	820	130	47	35	272.5	300	1300	680	50	360	50	500	48
14	1535	900	61±2	695	890	130	47	35	272.5	300	1440	680	50	430	50	500	48
15	1680	980	72±2	735	987	160	56	42	310	340	1565	750	60	430	50	570	55
16	1770	980	72±2	735	1033	160	56	42	310	340	1655	750	60	475	50	570	55
17	1770	1110	81±2	795	1035	160	53	42	340	374	1640	850	70	465	70	630	55
18	1890	1110	81±2	795	1095	160	53	42	340	374	1760	850	70	525	70	630	55

规格 Size	尺寸/Dimension (mm)									润滑油 Oil (L)	重量 Weight (kg)
	输出轴/Output										
	JRHH4SV			JRHH4HV		JRHH4DV					
	d <sub>2</sub>	G <sub>2</sub>	l <sub>2</sub>	D <sub>2</sub>	G <sub>4</sub>	D <sub>3</sub>	D <sub>4</sub>	G <sub>4</sub>	G <sub>5</sub>		
13	200	335	350	190	335	190	195	335	480	95	2315
14	210	335	350	210	335	210	215	335	480	105	2652
15	230	380	410	230	380	235	235	380	550	150	3508
16	240	380	410	240	380	240	245	380	550	160	3814
17	250	415	410	250	415	250	260	415	600	190	4533
18	270	415	470	275	415	280	285	415	600	200	5013



平行轴齿轮箱

四级传动 立式安装

类型 JRHH4.V 规格 13-18

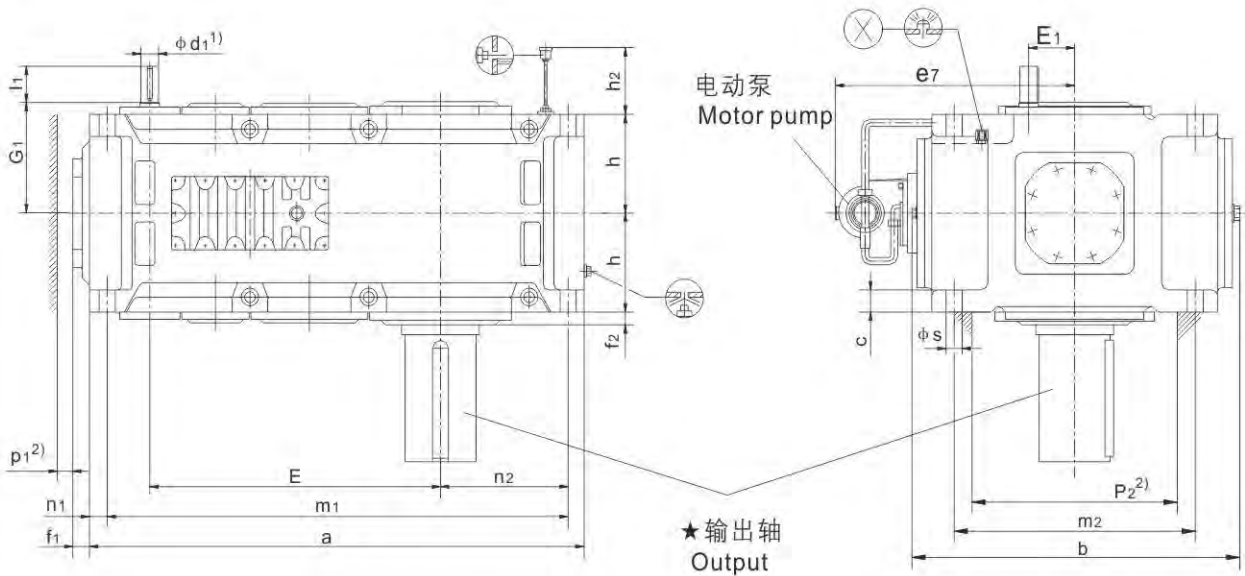
Helical gear units

Four Stage Vertical

Type JRHH4.V Sizes 13-18

**JRHH4SV JRHH4HV JRHH4DV**

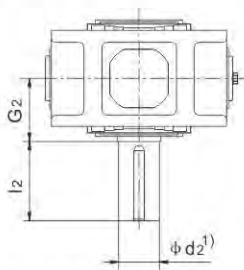
采用强制润滑 Forced Lubrication



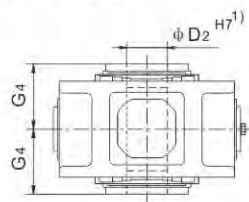
★输出轴 / Output

布置形式 / Design

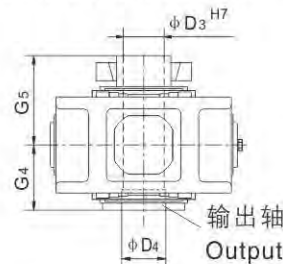
**JRHH4SV**  
实心轴  
Solid shaft



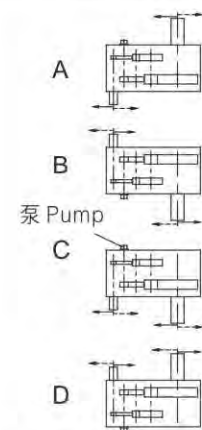
**JRHH4HV**  
空心轴  
Hollow shaft



**JRHH4DV**  
带胀紧盘的空心轴  
Hollow shaft for shrink disk



布置形式A、D根据用户要求供货  
A, D designs on request

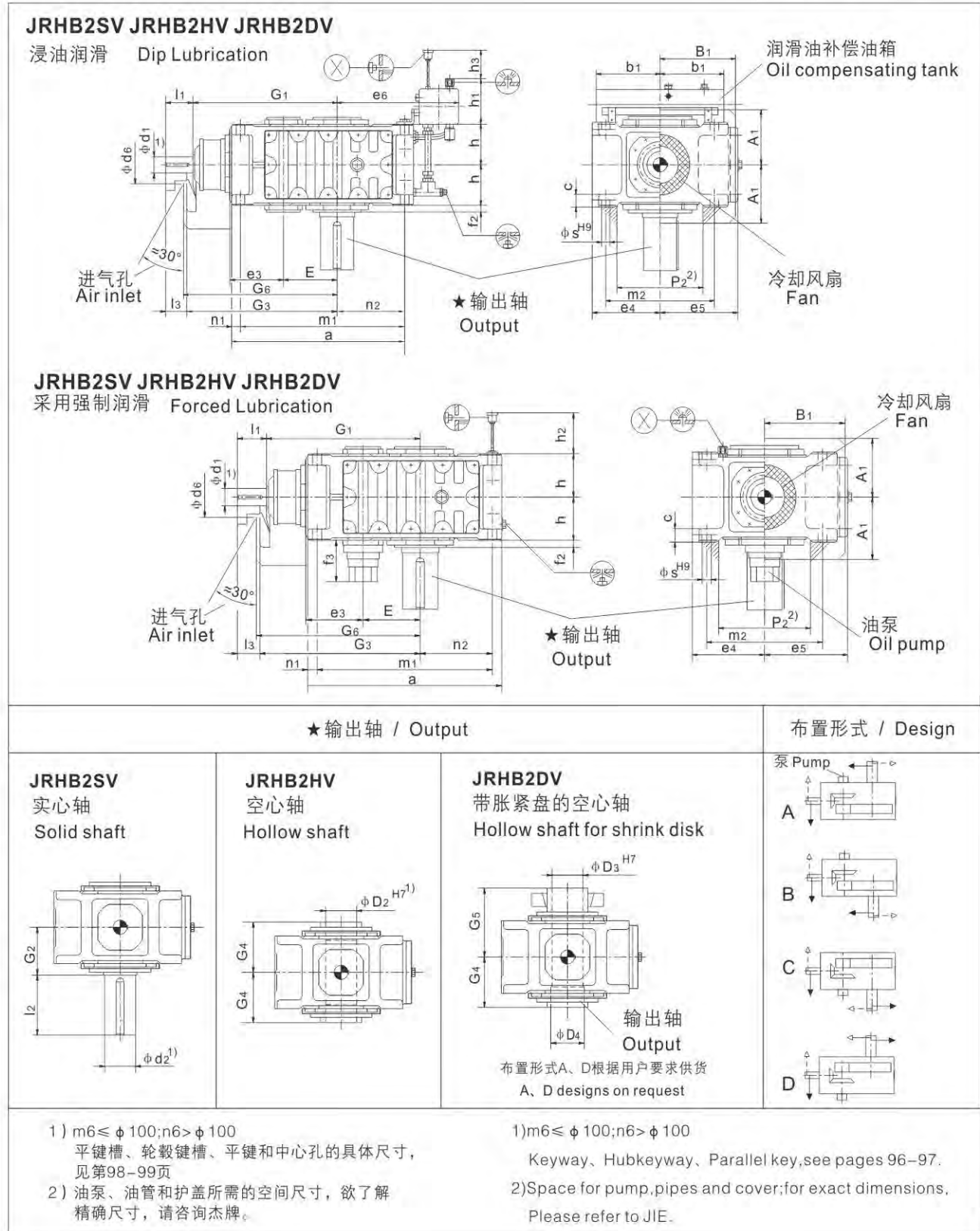


- $m_6 \leq \phi 100; n_6 > \phi 100$   
平键槽、轮毂键槽、平键和中心孔的具体尺寸，见第98-99页
- 油泵、油管和护盖所需的空间尺寸，欲了解精确尺寸，请咨询杰牌。

- $m_6 \leq \phi 100; n_6 > \phi 100$   
Keyway、Hubkeyway、Parallel key, see pages 98-99.
- Space for pump, pipes and cover; for exact dimensions, Please refer to JIE.

直交轴齿轮箱  
 两级传动 立式安装  
 类型 JRHB2.V 规格 4-12

Bevel-helical gear units  
 Two Stage Vertical  
 Type JRHB2.V Sizes 4-12



直交轴齿轮箱  
 两级传动 立式安装  
 类型 JRHB2.V 规格 4-12

Bevel-helical gear units  
 Two Stage Vertical  
 Type JRHB2.V Sizes 4-12

规格 Size	尺寸/Dimension (mm)							
	输入轴/Input							
	i <sub>N</sub> =5-11.2			i <sub>N</sub> =6.3-14			G <sub>1</sub>	G <sub>2</sub>
	d <sub>1</sub>	l <sub>1</sub>	l <sub>3</sub>	d <sub>1</sub>	l <sub>1</sub>	l <sub>3</sub>		
4	45	110	80				465	485
5	55	110	80				535	565
6				55	110	80	570	600
7	70	135	105				640	670
8				70	135	105	685	715
9	80	165	130				755	790
10				80	165	130	805	840
11	90	165	130				925	960
12				90	165	130	995	1030

规格 Size	尺寸/Dimension (mm)											
	齿轮箱/Gear Units											
	a	A <sub>1</sub>	b <sub>1</sub>	B <sub>1</sub>	c	d <sub>6</sub>	e <sub>3</sub>	e <sub>4</sub>	e <sub>5</sub>	e <sub>6</sub>	E	f <sub>2</sub>
4	505	188	150	200	30±1	150	100	200	215	320	160	26
5	565	215	240	235	30±1	160	185	230	252	385	185	30
6	645	215	240	235	30±1	160	185	230	252	425	220	30
7	690	250	240	285	36±1	210	225	280	302	425	225	32
8	795	250	240	285	36±1	210	225	280	302	485	270	32
9	820	270	330	325	48±1.5	195	265	320	342	560	265	45
10	920	270	330	325	48±1.5	195	265	320	342	610	315	45
11	975	328	330	385	54±1.5	210	320	380	410	595	320	47
12	1130	328	330	385	54±1.5	210	320	380	410	680	390	47

规格 Size	尺寸/Dimension (mm)											
	齿轮箱/Gear Units											
	f <sub>3</sub>	G <sub>6</sub>	h	h <sub>1</sub>	h <sub>2</sub>	h <sub>3</sub>	m <sub>1</sub>	m <sub>2</sub>	n <sub>1</sub>	n <sub>2</sub>	p <sub>2</sub>	s
4	-	495	135	165	-	180	445	300	30	160	200	24
5	190	575	160	205	245	240	505	360	30	175	270	24
6	190	610	160	205	245	240	585	360	30	220	270	24
7	200	685	190	205	220	250	620	430	35	215	330	28
8	200	730	190	205	220	250	725	430	35	275	330	28
9	200	805	220	275	250	330	740	490	40	260	370	36
10	200	855	220	275	250	330	840	490	40	310	370	36
11	200	980	265	275	300	340	875	600	50	295	440	40
12	200	1050	265	275	300	340	1030	600	50	380	440	40

规格 Size	尺寸/Dimension (mm)									润滑油/Oil (L)		重量 Weight (kg)
	输出轴/Output									浸油润滑 Dip lubrication	强制润滑 Forced lubrication	
	JRHB2SV			JRHB2HV		JRHB2DV						
	d <sub>2</sub>	G <sub>2</sub>	l <sub>2</sub>	D <sub>2</sub>	G <sub>4</sub>	D <sub>3</sub>	D <sub>4</sub>	G <sub>4</sub>	G <sub>5</sub>			
4	80	170	170	80	170	85	85	170	235	23.5	-	235
5	100	200	210	95	200	100	100	200	275	41	20	367
6	110	200	210	105	200	110	110	200	275	50	23	418
7	120	235	210	115	235	120	120	235	320	75	35	627
8	130	235	250	125	235	130	130	235	325	90	38	714
9	140	270	250	135	270	140	145	270	365	115	53	1020
10	160	270	300	150	270	150	155	270	385	135	60	1178
11	170	320	300	165	320	165	170	320	450	190	86	1672
12	180	320	300	180	320	180	185	320	455	215	95	1948

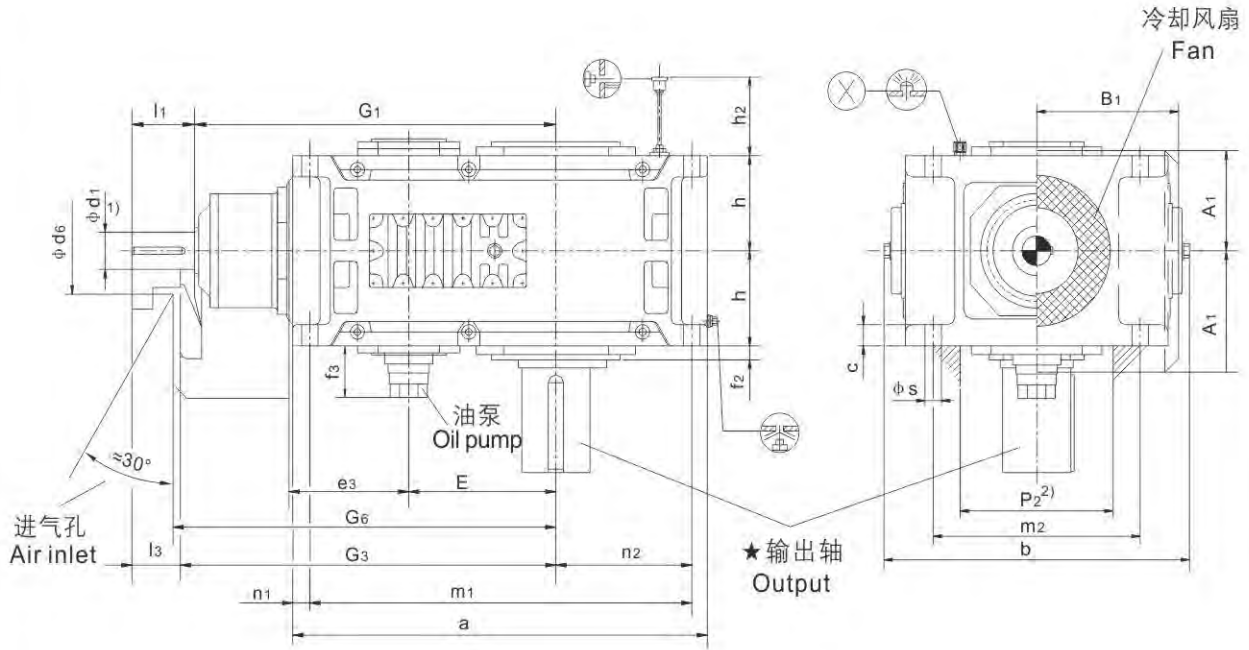


直交轴齿轮箱  
 两级传动 立式安装  
 类型 JRHB2.V 规格 13-18

Bevel-helical gear units  
 Two Stage Vertical  
 Type JRHB2.V Sizes 13-18

**JRHB2SV JRHB2HV JRHB2DV**

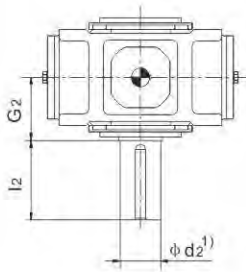
采用强制润滑 Forced Lubrication



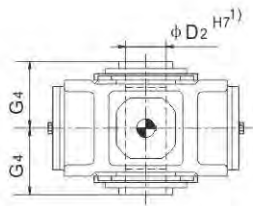
★ 输出轴 / Output

布置形式 / Design

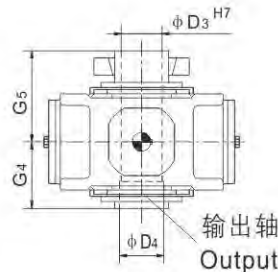
**JRHB2SV**  
 实心轴  
 Solid shaft



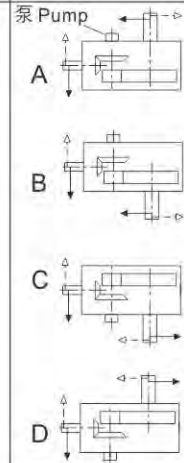
**JRHB2HV**  
 空心轴  
 Hollow shaft



**JRHB2DV**  
 带胀紧盘的空心轴  
 Hollow shaft for shrink disk



布置形式A、D根据用户要求供货  
 A, D designs on request



- 1)  $m6 \leq \phi 100; n6 > \phi 100$   
 平键槽、轮毂键槽、平键和中心孔的具体尺寸，见第98-99页
- 2) 油泵、油管和护盖所需的尺寸，欲了解精确尺寸，请咨询杰牌。

- 1)  $m6 \leq \phi 100; n6 > \phi 100$   
 Keyway、Hubkeyway、Parallel key, see pages 98-99.
- 2) Space for pump, pipes and cover; for exact dimensions, Please refer to JIE.



直交轴齿轮箱  
 两级传动 立式安装  
 类型 JRHB2.V 规格 13-18

Bevel-helical gear units  
 Two Stage Vertical  
 Type JRHB2.V Sizes 13-18

规格 Size	尺寸/Dimension (mm)																
	输入轴/Input																
	i <sub>N</sub> =5-11.2			i <sub>N</sub> =5.6-11.2			i <sub>N</sub> =5.6-12.5			i <sub>N</sub> =6.3-14			i <sub>N</sub> =7.1-12.5			G <sub>1</sub>	G <sub>3</sub>
	d <sub>1</sub>	l <sub>1</sub>	l <sub>3</sub>	d <sub>1</sub>	l <sub>1</sub>	l <sub>3</sub>	d <sub>1</sub>	l <sub>1</sub>	l <sub>3</sub>	d <sub>1</sub>	l <sub>1</sub>	l <sub>3</sub>	d <sub>1</sub>	l <sub>1</sub>	l <sub>3</sub>		
13	110	205	165													1070	1110
14									110	205	165					1140	1180
15	130	245	200													1277	1322
16							130	245	200							1323	1368
17				150	245	200										1435	1480
18													150	245	200	1495	1540

规格 Size	尺寸/Dimension (mm)										
	齿轮箱/Gear Units										
	a	A <sub>1</sub>	b	B <sub>1</sub>	c	d <sub>6</sub>	e <sub>3</sub>	E	f <sub>2</sub>	f <sub>3</sub>	
13	1130	375	900	450	61±2	245	380	370	38	200	
14	1270	375	900	450	61±2	245	380	440	45	200	
15	1350	435	980	495	72±2	280	450	442	75	200	
16	1440	435	980	495	72±2	280	450	488	75	200	
17	1490	505	1110	555	81±2	380	510	490	98	200	
18	1610	505	1110	555	81±2	380	510	550	98	200	

规格 Size	尺寸/Dimension (mm)									
	齿轮箱/Gear Units									
	G <sub>6</sub>	h	h <sub>2</sub>	m <sub>1</sub>	m <sub>2</sub>	n <sub>1</sub>	n <sub>2</sub>	p <sub>2</sub>	s	
13	1130	325	350	1035	680	50	360	500	48	
14	1200	325	350	1175	680	50	430	500	48	
15	1340	380	430	1235	750	60	430	570	55	
16	1385	380	430	1325	750	60	475	570	55	
17	1500	437.5	480	1360	840	70	465	630	65	
18	1560	437.5	480	1480	840	70	525	630	65	

规格 Size	尺寸/Dimension (mm)									润滑油 Oil (L)	重量 Weight (kg)
	输出轴/Output										
	JRHB2SV			JRHB2HV		JRHB2DV					
	d <sub>2</sub>	G <sub>2</sub>	l <sub>2</sub>	D <sub>2</sub>	G <sub>4</sub>	D <sub>3</sub>	D <sub>4</sub>	G <sub>4</sub>	G <sub>5</sub>		
13	200	390	350	-	-	-	-	-	-	100	2397
14	210	390	350	210	390	210	215	390	535	110	2779
15	230	460	410	-	-	-	-	-	-	145	3870
16	240	460	410	240	450	240	245	450	620	160	4243
17	250	540	410	-	-	-	-	-	-	210	5426
18	270	540	470	275	510	280	285	510	700	220	5977





直交轴齿轮箱  
 三级传动 立式安装  
 类型 JRHB3.V 规格 4-12

Bevel-helical gear units  
 Three Stage Vertical  
 Type JRHB3.V Sizes 4-12

规格 Size	尺寸/Dimension (mm)													
	输入轴/Input													
	i <sub>N</sub> =12.5-45			i <sub>N</sub> =16-56			i <sub>N</sub> =50-71			i <sub>N</sub> =63-90			G <sub>1</sub>	G <sub>3</sub>
	d <sub>1</sub>	l <sub>1</sub>	l <sub>3</sub>	d <sub>1</sub>	l <sub>1</sub>	l <sub>3</sub>	d <sub>1</sub>	l <sub>1</sub>	l <sub>3</sub>	d <sub>1</sub>	l <sub>1</sub>	l <sub>3</sub>		
4	30	70	80				25	60	40				500	500
5	35	80	60				28	60	40				575	595
6				35	80	60				28	60	40	610	630
7	45	100	80				35	80	60				690	710
8				45	100	80				35	80	60	735	755
9	55	110	80				40	100	70				800	830
10				55	110	80				40	100	70	850	880
11	70	135	105				50	110	80				960	990
12				70	135	105				50	110	80	1030	1060

规格 Size	尺寸/Dimension (mm)												
	齿轮箱/Gear Units												
	a	A <sub>1</sub>	b <sub>1</sub>	B <sub>1</sub>	c	d <sub>6</sub>	e <sub>3</sub>	e <sub>4</sub>	e <sub>5</sub>	e <sub>6</sub>	E	f <sub>2</sub>	
4	565	143	150	200	30±1	110	110	200	215	320	270	22	
5	640	168	240	235	30±1	130	130	230	252	385	315	28	
6	720	168	240	235	30±1	130	130	230	252	425	350	28	
7	785	193	240	275	36±1	165	160	280	292	425	385	30	
8	890	193	240	275	36±1	165	160	280	302	485	430	32	
9	925	231	330	325	45±1.5	175	185	320	342	560	450	32	
10	1025	231	330	325	45±1.5	175	185	320	342	610	500	32	
11	1105	263	330	385	54±1.5	190	225	380	402	595	545	35	
12	1260	263	330	385	54±1.5	190	225	380	410	680	615	35	

规格 Size	尺寸/Dimension (mm)												
	齿轮箱/Gear Units												
	f <sub>3</sub>	G <sub>6</sub>	h	h <sub>1</sub>	h <sub>2</sub>	h <sub>3</sub>	m <sub>1</sub>	m <sub>2</sub>	n <sub>1</sub>	n <sub>2</sub>	p <sub>2</sub>	s	
4	-	530	107.5	165	-	180	505	300	30	160	220	24	
5	190	605	127.5	205	180	240	580	360	30	175	270	24	
6	190	640	127.5	205	180	240	660	360	30	220	270	24	
7	190	720	150	205	165	250	715	430	35	215	330	28	
8	190	765	150	205	165	250	820	430	35	275	330	28	
9	180	845	185	275	205	330	845	490	40	260	370	36	
10	180	895	185	275	205	330	945	490	40	310	370	36	
11	180	1010	215	275	240	340	1005	600	50	295	440	40	
12	180	1080	215	275	240	340	1160	600	50	380	440	40	

规格 Size	尺寸/Dimension (mm)									润滑油/Oil (L)		重量 Weight (kg)
	输出轴/Output									浸油润滑 Dip lubrication	强制润滑 Forced lubrication	
	JRHB3SV			JRHB3HV		JRHB3DV						
	d <sub>2</sub>	G <sub>2</sub>	l <sub>2</sub>	D <sub>2</sub>	G <sub>4</sub>	D <sub>3</sub>	D <sub>4</sub>	G <sub>4</sub>	G <sub>5</sub>			
4	80	140	170	80	140	85	85	140	205	20	-	210
5	100	165	210	95	165	100	100	165	240	32	12	331
6	110	165	210	105	165	110	110	165	240	35	13	387
7	120	195	210	115	195	120	120	195	280	52	22	561
8	130	195	250	125	195	130	130	195	285	67	28	647
9	140	235	250	135	235	140	145	235	330	115	48	907
10	160	235	300	150	235	150	155	235	350	125	52	1040
11	170	270	300	165	270	165	170	270	400	180	75	1484
12	180	270	300	180	270	180	185	270	405	200	85	1764







直交轴齿轮箱  
 三级传动 立式安装  
 类型 JRHB3.V 规格 13-18

Bevel-helical gear units  
 Three Stage Vertical  
 Type JRHB3.V Sizes 13-18

规格 Size	尺寸/Dimension (mm)																		G <sub>1</sub>	G <sub>3</sub>
	输入轴/Input																			
	i <sub>N</sub> =12.5-45			i <sub>N</sub> =14-50			i <sub>N</sub> =16-56			i <sub>N</sub> =50-71			i <sub>N</sub> =56-80			i <sub>N</sub> =63-90				
d <sub>1</sub>	l <sub>1</sub>	l <sub>3</sub>	d <sub>1</sub>	l <sub>1</sub>	l <sub>3</sub>	d <sub>1</sub>	l <sub>1</sub>	l <sub>3</sub>	d <sub>1</sub>	l <sub>1</sub>	l <sub>3</sub>	d <sub>1</sub>	l <sub>1</sub>	l <sub>3</sub>	d <sub>1</sub>	l <sub>1</sub>	l <sub>3</sub>			
13	80	165	130						60	140	105							1125	1160	
14							80	165	130						60	140	105	1195	1230	
15	90	165	130						70	140	105							1367	1402	
16				90	165	130						70	140	105				1413	1448	
17	110	205	135						80	170	130							1560	1600	
18				110	205	165						80	170	130				1620	1660	

规格 Size	尺寸/Dimension (mm)									
	齿轮箱/Gear Units									
a	A <sub>1</sub>	b	B <sub>1</sub>	c	d <sub>6</sub>	e <sub>3</sub>	E	f <sub>2</sub>	f <sub>3</sub>	
13	1290	325	900	475	61±2	210	265	635	35	170
14	1430	325	900	475	61±2	210	265	705	35	170
15	1550	365	980	520	72±2	210	320	762	42	170
16	1640	365	980	520	72±2	210	320	808	42	170
17	1740	395	1110	570	81±2	230	370	860	42	170
18	1860	395	1110	570	81±2	230	370	920	42	170

规格 Size	尺寸/Dimension (mm)								
	齿轮箱/Gear Units								
G <sub>6</sub>	h	h <sub>2</sub>	m <sub>1</sub>	m <sub>2</sub>	n <sub>1</sub>	n <sub>2</sub>	p <sub>2</sub>	s	
13	1180	272.5	300	1195	680	50	360	500	48
14	1250	272.5	300	1335	680	50	430	500	48
15	1420	310	340	1435	750	60	430	570	55
16	1470	310	340	1525	750	60	475	570	55
17	1620	340	380	1610	850	70	465	630	55
18	1680	340	380	1730	850	70	525	630	55

规格 Size	尺寸/Dimension (mm)									润滑油 Oil (L)	重量 Weight (kg)
	输出轴/Output										
	JRHB3SV			JRHB3HV		JRHB3DV					
d <sub>2</sub>	G <sub>2</sub>	l <sub>2</sub>	D <sub>2</sub>	G <sub>4</sub>	D <sub>3</sub>	D <sub>4</sub>	G <sub>4</sub>	G <sub>5</sub>			
13	200	335	350	190	335	190	195	335	480	95	2305
14	210	335	350	210	335	210	215	335	480	110	2667
15	230	380	410	230	380	230	235	380	550	165	3610
16	240	380	410	240	380	240	245	380	550	190	3840
17	250	415	410	250	415	250	260	415	600	210	4855
18	270	415	470	275	415	280	285	415	600	240	5344

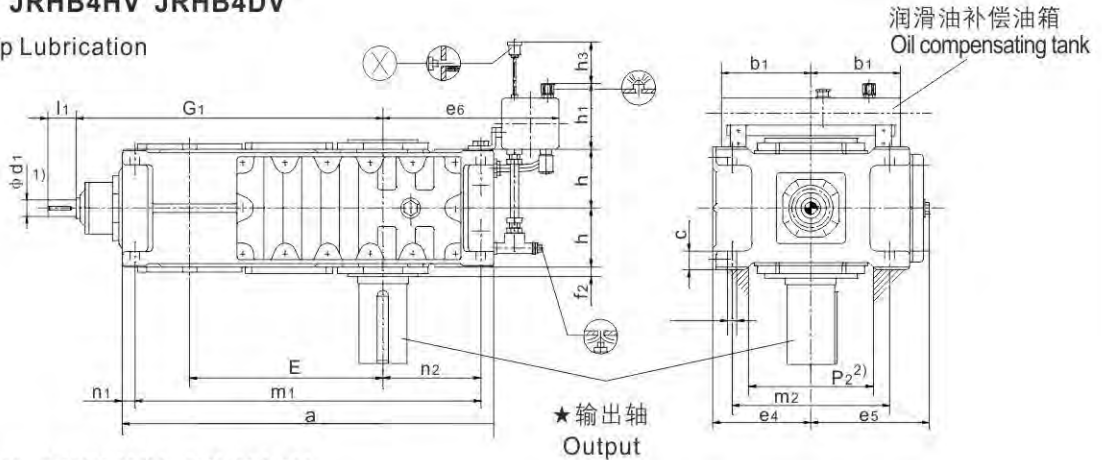


直交轴齿轮箱  
四级传动 立式安装  
类型 JRHB4.V 规格 5-12

Bevel-helical gear units  
Four Stage Vertical  
Type JRHB4.V Sizes 5-12

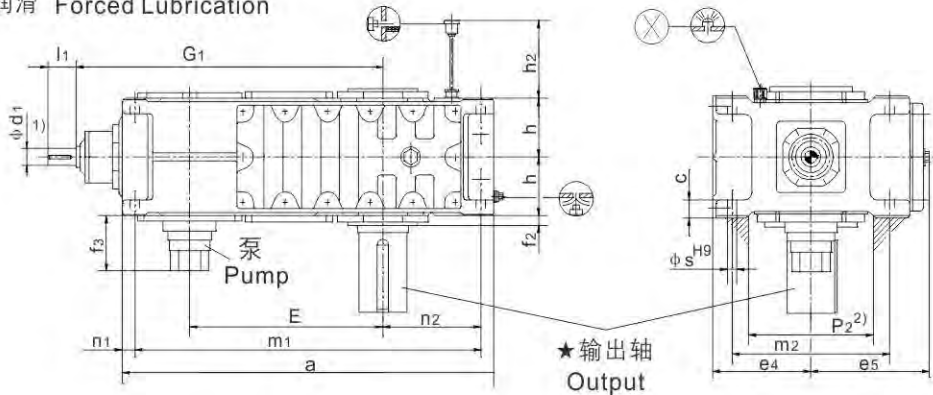
**JRHB4SV JRHB4HV JRHB4DV**

浸油润滑 Dip Lubrication



**JRHB4SV JRHB4HV JRHB4DV**

采用强制润滑 Forced Lubrication

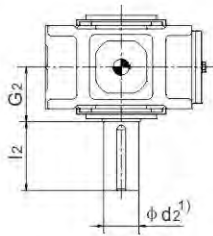


★输出轴 / Output

布置形式 / Design

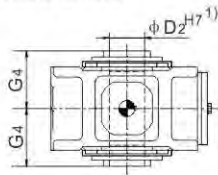
**JRHB4SV**

实心轴  
Solid shaft



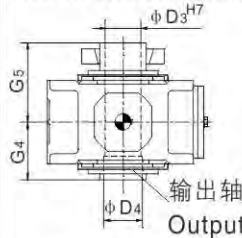
**JRHB4HV**

空心轴  
Hollow shaft

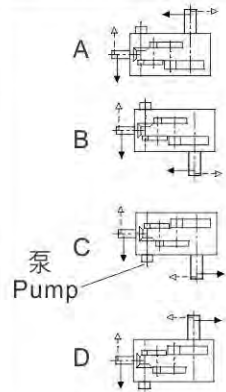


**JRHB4DV**

带胀紧盘的空心轴  
Hollow shaft for shrink disk



布置形式A、D根据用户要求供货  
A, D designs on request



- 1)  $m6 \leq \phi 100; n6 > \phi 100$   
平键槽、轮毂键槽、平键和中心孔的具体尺寸，见第98-99页
- 2) 油泵、油管和护盖所需的空尺寸，欲了解精确尺寸，请咨询杰牌。

- 1)  $m6 \leq \phi 100; n6 > \phi 100$   
Keyway, Hubkeyway, Parallel key, see pages 98-99.
- 2) Space for pump, pipes and cover; for exact dimensions, Please refer to JIE.

直交轴齿轮箱  
四级传动 立式安装  
类型 JRHB4.V 规格 5-12

Bevel-helical gear units  
Four Stage Vertical  
Type JRHB4.V Sizes 5-12

规格 Size	尺寸/Dimension (mm)								
	输入轴/Input								
	i <sub>N</sub> =80-180		i <sub>N</sub> =100-224		i <sub>N</sub> =200-315		i <sub>N</sub> =250-400		G <sub>1</sub>
d <sub>1</sub>	l <sub>1</sub>	d <sub>1</sub>	l <sub>1</sub>	d <sub>1</sub>	l <sub>1</sub>	d <sub>1</sub>	l <sub>1</sub>		
5	28	55			20	50			615
6			28	55			20	50	650
7	30	70			25	60			725
8			30	70			25	60	770
9	35	80			28	60			840
10			35	80			28	60	890
11	45	100			35	80			1010
12			45	100			35	80	1080

规格 Size	尺寸/Dimension (mm)								
	齿轮箱/Gear Units								
	a	b <sub>1</sub>	c	e <sub>4</sub>	e <sub>5</sub>	e <sub>6</sub>	E	f <sub>2</sub>	f <sub>3</sub>
5	690	240	30±1	230	252	385	405	28	200
6	770	240	30±1	230	252	425	440	28	200
7	845	240	36±1	280	292	425	495	30	120
8	950	240	36±1	280	302	485	540	32	120
9	1000	330	45±1.5	320	342	560	580	32	120
10	1100	330	45±1.5	320	342	610	630	32	120
11	1200	330	54±1.5	380	402	595	705	35	130
12	1355	330	54±1.5	380	410	680	775	35	130

规格 Size	尺寸/Dimension (mm)									
	齿轮箱/Gear Units									
	h	h <sub>1</sub>	h <sub>2</sub>	h <sub>3</sub>	m <sub>1</sub>	m <sub>2</sub>	n <sub>1</sub>	n <sub>2</sub>	p <sub>2</sub>	s
5	127.5	205	190	240	630	360	30	175	270	24
6	127.5	205	190	240	710	360	30	220	270	24
7	150	205	165	250	775	430	35	215	330	28
8	150	205	165	250	880	430	35	275	330	28
9	185	275	205	330	920	490	40	260	370	36
10	185	275	205	330	1020	490	40	310	370	36
11	215	275	240	340	1100	600	50	295	440	40
12	215	275	240	340	1255	600	50	380	440	40

规格 Size	尺寸/Dimension (mm)									润滑油/Oil (L)		重量 Weight (kg)
	输出轴/Output									浸油润滑 Dip lubrication	强制润滑 Forced lubrication	
	JRHB4SV			JRHB4HV		JRHB4DV						
d <sub>2</sub>	G <sub>2</sub>	l <sub>2</sub>	D <sub>2</sub>	G <sub>4</sub>	D <sub>3</sub>	D <sub>4</sub>	G <sub>4</sub>	G <sub>5</sub>				
5	100	165	210	95	165	100	100	165	240	36	15	341
6	110	165	210	105	165	110	110	165	240	40	16	392
7	120	195	210	115	195	120	120	195	280	60	30	566
8	130	195	250	125	195	130	130	195	285	70	35	668
9	140	235	250	135	235	140	145	235	330	110	60	907
10	160	235	300	150	235	150	155	235	350	130	67	1045
11	170	270	300	165	270	165	170	270	400	180	75	1514
12	180	270	300	180	270	180	185	270	405	195	85	1785



直交轴齿轮箱

四级传动 立式安装

类型 JRHB4.V 规格 13-18

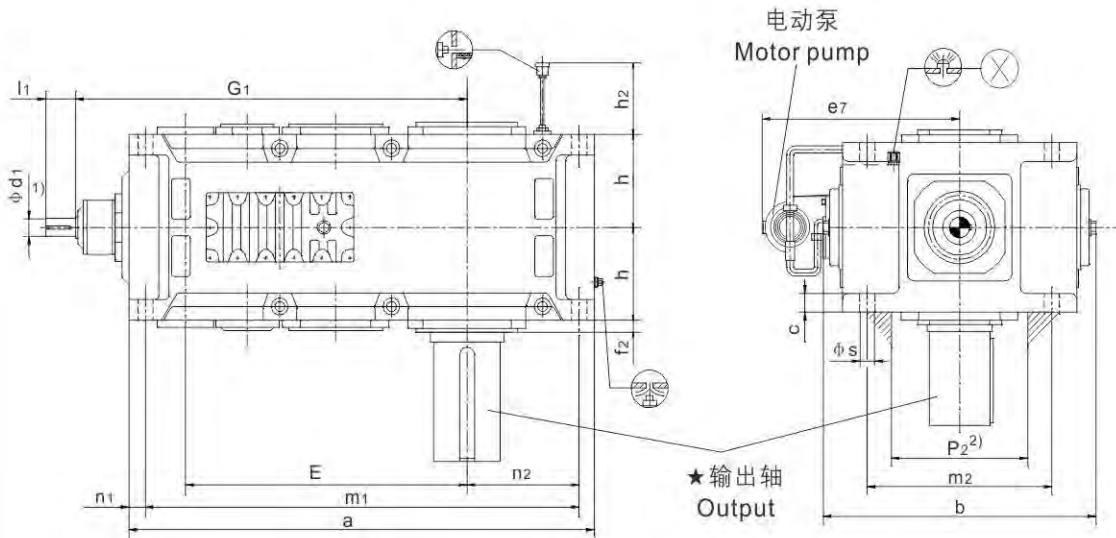
Bevel-helical gear units

Four Stage Vertical

Type JRHB4.V Sizes 13-18

**JRHB4SV JRHB4HV JRHB4DV**

浸油润滑 Dip Lubrication



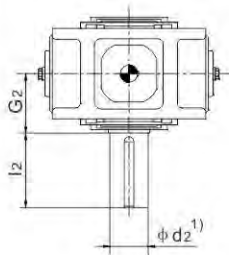
★输出轴 / Output

布置形式 / Design

**JRHB4SV**

实心轴

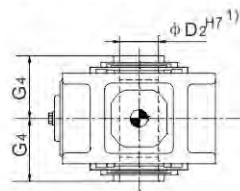
Solid shaft



**JRHB4HV**

空心轴

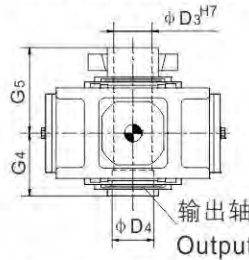
Hollow shaft



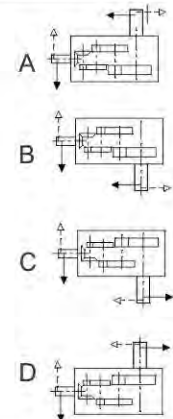
**JRHB4DV**

带胀紧盘的空心轴

Hollow shaft for shrink disk



布置形式A、D根据用户要求供货  
A, D designs on request



- 1)  $m6 \leq \phi 100; n6 > \phi 100$   
平键槽、轮毂键槽、平键和中心孔的具体尺寸，  
见第98-99页
- 2) 油泵、油管 and 护盖所需的尺寸，欲了解  
精确尺寸，请咨询杰牌。

- 1)  $m6 \leq \phi 100; n6 > \phi 100$   
Keyway、Hubkeyway、Parallel key, see pages 98-99.
- 2) Space for pump, pipes and cover; for exact dimensions,  
Please refer to JIE.



直交轴齿轮箱  
四级传动 立式安装  
类型 JRHB4.V 规格 13-18

Bevel-helical gear units  
Four Stage Vertical  
Type JRHB4.V Sizes 13-18

规格 Size	尺寸/Dimension (mm)													G <sub>1</sub>
	输入轴/Input													
	i <sub>N</sub> =80-180		i <sub>N</sub> =90-200		i <sub>N</sub> =100-224		i <sub>N</sub> =200-315		i <sub>N</sub> =224-355		i <sub>N</sub> =250-450			
	d <sub>1</sub>	l <sub>1</sub>	d <sub>1</sub>	l <sub>1</sub>	d <sub>1</sub>	l <sub>1</sub>	d <sub>1</sub>	l <sub>1</sub>	d <sub>1</sub>	l <sub>1</sub>	d <sub>1</sub>	l <sub>1</sub>		
13	55	110					40	100					1170	
14					55	110					40	100	1240	
15	70	135					50	110					1402	
16			70	135					50	110			1448	
17	70	135					50	110					1450	
18			70	135					50	110			1510	

规格 Size	尺寸/Dimension (mm)													
	齿轮箱/Gear Units													
	a	b	c	e <sub>7</sub>	E	f <sub>2</sub>	h	h <sub>2</sub>	m <sub>1</sub>	m <sub>2</sub>	n <sub>1</sub>	n <sub>2</sub>	p <sup>2</sup>	s
13	1395	900	61±2	695	820	35	272.5	300	1300	680	50	360	500	48
14	1535	900	61±2	695	890	35	272.5	300	1440	680	50	430	500	48
15	1680	980	72±2	735	987	42	310	340	1565	750	60	430	570	55
16	1770	980	72±2	735	1033	42	310	340	1655	750	60	475	570	55
17	1770	1110	81±2	795	1035	42	340	374	1640	850	70	465	630	55
18	1890	1110	81±2	795	1095	42	340	374	1760	850	70	525	630	55

规格 Size	尺寸/Dimension (mm)									润滑油 Oil (L)	重量 Weight (kg)
	输出轴/Output										
	JRHB4SV			JRHB4HV		JRHB4DV					
	d <sub>2</sub>	G <sub>2</sub>	l <sub>2</sub>	D <sub>2</sub>	G <sub>4</sub>	D <sub>3</sub>	D <sub>4</sub>	G <sub>4</sub>	G <sub>5</sub>		
13	200	335	350	190	335	190	195	335	480	130	2325
14	210	335	350	210	335	210	215	335	480	150	2657
15	230	380	410	230	380	230	235	380	550	200	3503
16	240	380	410	240	380	240	245	380	550	235	3840
17	250	415	410	250	415	250	260	415	600	215	4549
18	270	415	470	275	415	280	285	415	600	250	5028



## 工业齿轮箱

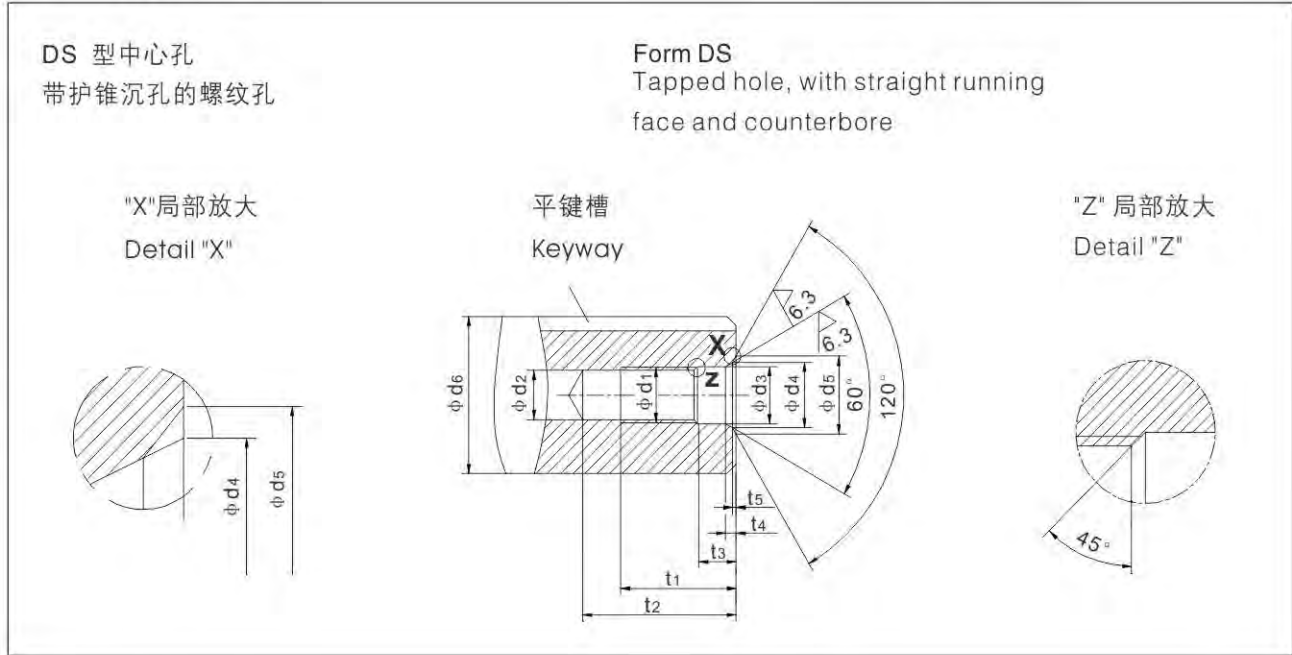
## DS型轴端中心孔

按照 DIN 332/2标准

## Industrial Gear Units

## Centre Holles, Form DS On Shaft Ends

Acc.to DIN 332/2



推荐直径 Recommended diameters $d_6$ <sup>1)</sup>		DS 型 / Form DS											
		DS 型 中心孔 Centering	$d_1$	$d_2$ <sup>2)</sup>	$d_3$	$d_4$	$d_5$	$t_1$ +2	$t_2$ min.   max.	$t_3$ +1	$t_4$ ≈	$t_5$ ≈	
大于 above	至 to	mm											
16	21	DS 6	M6	5	6.4	9.6	10.5	16	20	22	5	2.8	0.4
21	24	DS 8	M8	6.8	8.4	12.2	13.2	19	25	28	6	3.3	0.4
24	30	DS 10	M10	8.5	10.5	14.9	16.3	22	30	34	7.5	3.8	0.6
30	38	DS 12	M12	10.2	13	18.1	19.8	28	37	42	9.5	4.4	0.7
38	50	DS 16	M16	14	17	23	25.3	36	45	50	12	5.2	1.0
50	85	DS 20	M20	17.5	21	28.4	31.3	42	53	59	15	6.4	1.3
85	130	DS 24	M24	21	25	34.2	38	50	63	68	18	8	1.6
130*	225*	DS 30	M 30*	26.5	31	44	48	60	77	83	17	11	1.9
225*	320*	DS 36	M36*	32	37	55	60	74	93	99	22	15	2.3
320*	500*	DS 42	M42*	37.5	43	65	71	84	105	111	26	19	2.7

1) 工件加工后最终尺寸

2) 螺孔攻丝钻头直径按照DIN 336第1分部确定

\*) 不是按照DIN 332确定的尺寸

1) Diameter of the finished work piece

2) Drill diameters for tapping-size holes acc.to DIN 336Pt. 1

\*) Dimensions not acc.to DIN332

工业齿轮箱  
ISO 配合精度的选择  
平键和键槽

Industrial Gear Units  
Selection of ISO Fits  
Parallel Keys and Keyways

ISO 配合精度的选择 / Selection of ISO Fits				
ISO 配合精度的选择 Selection of ISO fits	轴 / Shaft d		轴公差 Shaft tolerance	孔公差 Bore tolerance
	大于 above mm	至 to mm		
轴公差按照杰牌标准 Shaft tolerance acc.to JIE standard		25	k6	H7
	25	100	m6	
	100		n6	

对于重载工作条件，如带载反向回转，建议采用比较紧密的配合，轮毂键槽宽度亦应选择ISO P9公差等级。

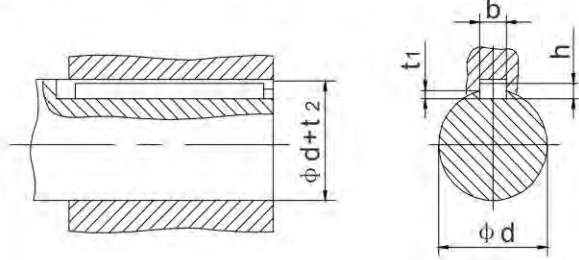
For heavy-duty Operating conditions, e.g. reversing under load, it is recommended that a tighter fit and for the hub keyway width the ISO P9 tolerance is selected.

为此，用户应给出相关信息。

In this case, the customer should give the relevant information.

平键 / Parallel keys						
平键紧固方式，采用无锥度连接 Drive type fastening without taper action	直径 Diameter d		宽度 Width b	高度 Height h	轴键槽深度 Depth of keyway in shaft t <sub>1</sub>	轮毂键槽深度 Depth of keyway in hub d + t <sub>2</sub> DIN 6885/1
	大于 above mm	至 to mm				
平键和键槽按照DIN 6885 / 1 Parallel key and keyway acc.to DIN 6885 / 1	30	38	10	8	5	d+3.3
	38	44	12	8	5	d+3.3
	44	50	14	9	5.5	d+3.8
	50	58	16	10	6	d+4.3
	58	65	18	11	7	d+4.4
	65	75	20	12	7.5	d+4.9
	75	85	22	14	9	d+5.4
	85	95	25	14	9	d+5.4
	95	110	28	16	10	d+6.4
	110	130	32	18	11	d+7.4
	130	150	36	20	12	d+8.4
	150	170	40	22	13	d+9.4
	170	200	45	25	15	d+10.4
	200	230	50	28	17	d+11.4
	230	260	56	32	20	d+12.4
	260	290	63	32	20	d+12.4
290	330	70	36	22	d+14.4	
330	380	80	40	25	d+15.4	
380	440	90	45	28	d+17.4	
440	500	100	50	31	d+19.4	

- 1) 重载工作条件下轮毂平键键槽宽度 b 的公差带应按 ISO P9 确定。  
1) The tolerance zone for the hub keyway width b for parallel keys is ISO P9 for heavy-duty operating conditions.



工业齿轮箱

带平键联接的空心轴

类型 JRHH2, JRHH3, JRHH4, JRHB3, JRHB4

规格 4-18

Industrial Gear Units

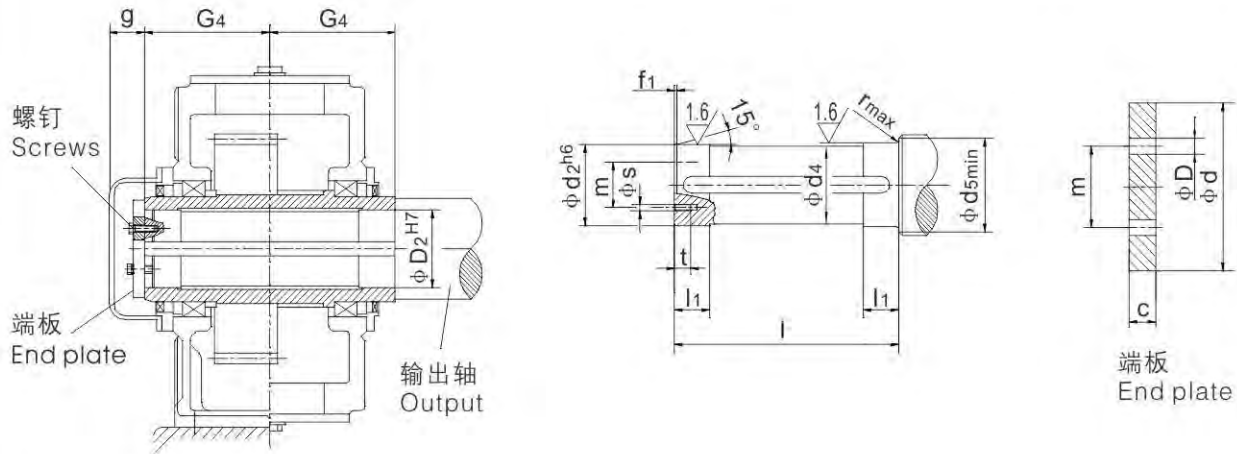
Hollow Shafts for Parallel Key Connections

Types JRHH2, JRHH3, JRHH4, JRHB3, JRHB4

Sizes 4-18



带平键联接的工作机驱动轴。键槽尺寸根据DIN 6885/1 确定。  
Driven machine shaft for parallel key connection keyway acc.to DIN 6885/1



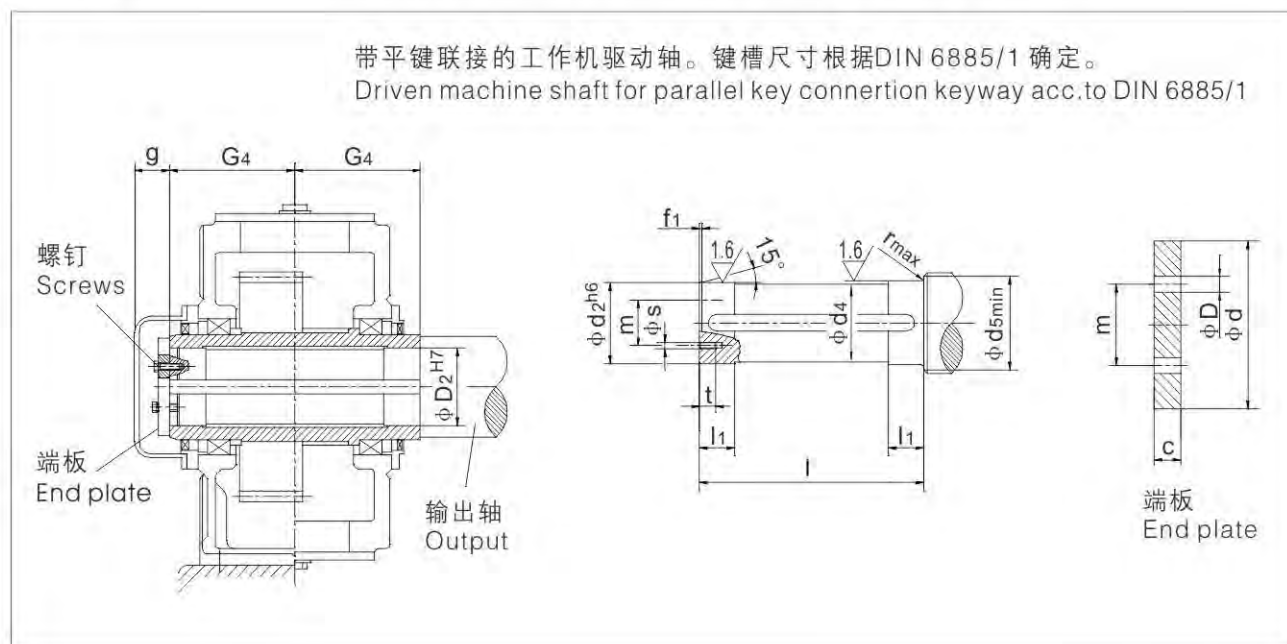
类型/Types JRHH2H, JRHH3H, JRHH4H, JRHB3H, JRHB4H

齿轮箱规格 Gear units size	工作机驱动轴 Driven machine shaft									端板 End plate			螺钉 Screw		空心轴 Hollow shaft			
	d <sub>2</sub>	d <sub>4</sub>	d <sub>5</sub>	f <sub>1</sub>	l	l <sub>1</sub>	r	s	t	c	D	d	m	规格 Size	数量 Qty	D <sub>2</sub>	G <sub>4</sub>	g
4	80	79.5	88	4	278	35	1.2	M10	18	10	11	100	60	M10X25	2	80	140	35
5	95	94.5	105	5	328	40	1.6	M10	18	10	11	120	70	M10X25	2	95	165	40
6	105	104.5	116	5	328	45	1.6	M10	18	10	11	120	70	M10X25	2	105	165	40
7	115	114.5	126	5	388	50	1.6	M12	20	12	13.5	140	80	M12X30	2	115	195	40
8	125	124.5	136	6	388	55	2.5	M12	20	12	13.5	150	85	M12X30	2	125	195	40
9	135	134.5	147	6	467	60	2.5	M12	20	12	13.5	150	90	M12X30	2	135	235	45
10	150	149.5	162	6	467	65	2.5	M12	20	12	13.5	185	110	M12X30	2	150	235	45
11	165	164.5	177	7	537	70	2.5	M16	28	15	17.5	195	120	M16X40	2	165	270	45
12	180	179.5	192	7	537	75	2.5	M16	28	15	17.5	220	130	M16X40	2	180	270	45
13	190	189.5	206	7	667	80	3	M16	28	18	17.5	230	140	M16X40	2	190	335	45
14	210	209.5	226	8	667	85	3	M16	28	18	17.5	250	160	M16X40	2	210	335	45
15	230	229.5	248	8	756	100	3	M20	38	25	22	270	180	M20X55	4	230	380	60
16	240	239.5	258	8	756	100	3	M20	38	25	22	280	180	M20X55	4	240	380	60
17	250	249.5	270	8	826	110	4	M20	38	25	22	300	190	M20X55	4	250	415	60
18	275	274.5	295	9	826	120	4	M20	38	25	22	330	210	M20X55	4	275	415	60



工业齿轮箱  
带平键联接的空心轴  
类型 JRHB2  
规格 4-18

Industrial Gear Units  
Hollow Shafts for Parallel Key Connections  
Types JRHB2  
Sizes 4-18



类型/Type JRHB2H																		
齿轮箱规格 Gear units size	工作机驱动轴 Driven machine shaft									端板 End plate			螺钉 Screw		空心轴 Hollow shaft			
	d <sub>2</sub>	d <sub>4</sub>	d <sub>5</sub>	f <sub>1</sub>	l	l <sub>1</sub>	r	s	t	c	D	d	m	规格 Size	数量 Qty	D <sub>2</sub>	G <sub>4</sub>	g
4	80	79.5	88	4	338	35	1.2	M10	18	10	11	100	60	M10X25	2	80	170	35
5	95	94.5	105	5	398	40	1.6	M10	18	10	11	120	70	M10X25	2	95	200	40
6	105	104.5	116	5	398	45	1.6	M10	18	10	11	120	70	M10X25	2	105	200	40
7	115	114.5	126	5	468	50	1.6	M12	20	12	13.5	140	80	M12X30	2	115	235	40
8	125	124.5	136	6	468	55	2.5	M12	20	12	13.5	150	85	M12X30	2	125	235	40
9	135	134.5	147	6	537	60	2.5	M12	20	12	13.5	150	90	M12X30	2	135	270	45
10	150	149.5	162	6	537	65	2.5	M12	20	12	13.5	185	110	M12X30	2	150	270	45
11	165	164.5	177	7	637	70	2.5	M16	28	15	17.5	195	120	M16X40	2	165	320	45
12	180	179.5	192	7	637	75	2.5	M16	28	15	17.5	220	130	M16X40	2	180	320	45
14	210	209.5	226	8	777	85	3	M16	28	18	17.5	250	160	M16X40	2	210	390	45
16	240	239.5	258	8	896	100	3	M20	38	25	22	280	180	M20X55	4	240	450	60
18	275	274.5	295	9	1016	120	4	M20	38	25	22	330	210	M20X55	4	275	510	60

工业齿轮箱

带胀紧盘联接的空心轴

类型 JRHH2, JRHH3, JRHH4, JRHB3, JRHB4

规格 4-22

Industrial Gear Units

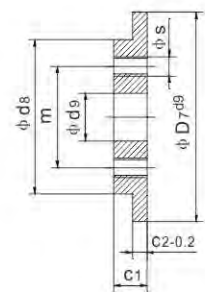
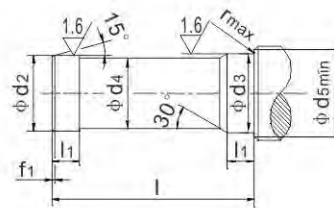
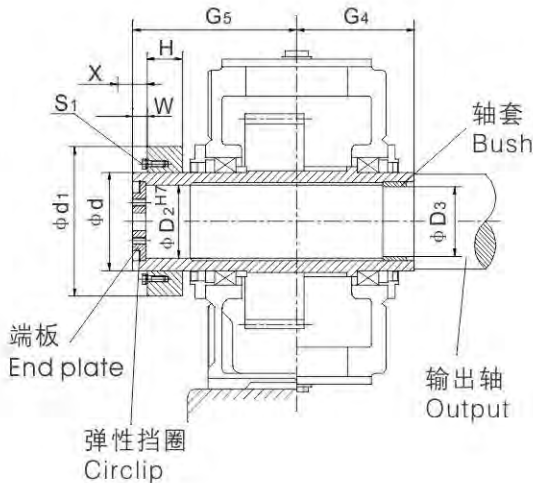
Hollow Shafts for Shrink Disks

Types JRHH2, JRHH3, JRHH4, JRHB3, JRHB4

Sizes 4-22

X=要求预留的力矩扳手空间  
X=Space required for torque wrench

用于胀紧盘联接的工作机驱动轴  
工作机驱动轴表面不得沾有机油或润滑油  
Driven machine shaft for shrink disk connection.  
Driven machine shaft must be free of oil or grease



端板  
End plate

类型 / Types JRHH2D, JRHH3D, JRHH4D, JRHB3D, JRHB4D

齿轮箱规格 Gear units size	工作机驱动轴 Driven machine shaft														弹性挡圈 Circlip DIN 472	空心轴 Hollow shaft					胀紧盘 Shrink disk				螺钉 Screw S1		
	d2	d3	d4	d5	f1	l	l1	r	c1	c2	D7	d8	d9	m		s	数量 Qty	D2	D3	G4	G5	类型 Type	d	d1		H	W
4	85g6	85h6	84.5	95	4	326	48	2	17	7	90	70	22	50	M8	2	90x3	85	85	140	205	110-32	110	185	51	20	M12
5	100g6	100h6	99.5	114	5	383	53	2	20	8	105	80	26	55	M10	2	105x4	100	100	165	240	125-32	125	215	53	20	M12
6	110g6	110h6	109.5	124	5	383	58	3	20	8	115	85	26	60	M10	2	115x4	110	110	165	240	140-32	140	230	58	20	M14
7	120g6	120h6	119.5	134	5	453	68	3	20	8	125	90	26	65	M12	2	125x4	120	120	195	280	155-32	155	263	62	23	M14
8	130g6	130h6	129.5	145	6	458	73	3	20	8	135	100	26	70	M12	2	135x4	130	130	195	285	165-32	165	290	68	23	M16
9	140g6	145m6	139.5	160	6	539	82	4	23	10	150	110	33	80	M12	2	150x4	140	145	235	330	175-32	175	300	68	28	M16
10	150g6	155m6	149.5	170	6	559	92	4	23	10	160	120	33	90	M12	2	160x4	150	155	235	350	200-32	200	340	85	28	M16
11	165f6	170m6	164.5	185	7	644	112	4	23	10	175	130	33	90	M12	2	175x4	165	170	270	400	220-32	220	370	103	30	M20
12	180f6	185m6	179.5	200	7	649	122	4	23	10	190	140	33	100	M16	2	190x4	180	185	270	405	240-32	240	405	107	30	M20
13	190f6	195m6	189.5	213	7	789	137	5	23	10	200	150	33	110	M16	2	200x4	190	195	335	480	260-32	260	430	119	30	M20
14	210f6	215m6	209.5	233	8	784	147	5	28	14	220	170	33	130	M16	2	220x5	210	215	335	480	280-32	280	460	132	30	M20
15	230f6	235m6	229.5	253	8	899	157	5	28	14	240	180	39	140	M16	2	240x5	230	235	380	550	300-32	300	485	140	35	M24
16	240f6	245m6	239.5	263	8	899	157	5	28	14	250	190	39	150	M20	2	250x5	240	245	380	550	320-32	320	520	140	35	M24
17	250f6	260m6	249.5	278	8	982	177	5	30	14	265	200	39	150	M20	2	265x5	250	260	415	600	340-32	340	570	155	35	M24
18	280f6	285m6	279.5	306	9	982	177	5	30	14	290	210	39	160	M20	2	290x5	280	285	415	600	360-32	360	590	162	35	M24
19	285f6	295m6	284.5	316	9	1100	187	5	32	15	300	220	39	170	M24	2	300x5	285	295	465	670	380-32	380	640	166	40	M27
20	310f6	315m6	309.5	336	9	1100	187	5	32	15	320	230	39	180	M24	2	320x6	310	315	465	670	390-32	390	650	166	40	M27
21	330f6	335m6	329	358	9	1160	205	5	40	20	340	250	45	190	M24	2	340x6	330	335	490	715	420-32	420	670	186	45	M27
22	340f6	345m6	339	368	9	1170	215	5	40	20	350	260	45	200	M24	2	350x6	340	345	490	725	440-32	440	720	194	45	M27

1) 胀紧盘不在杰牌供货范围之内。如有需要, 请咨询杰牌。

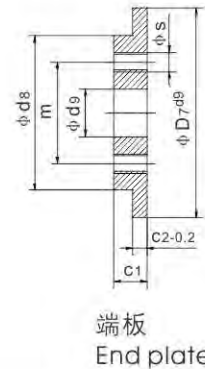
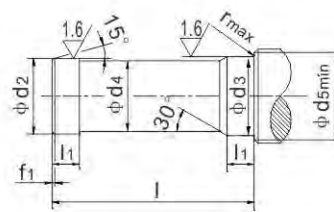
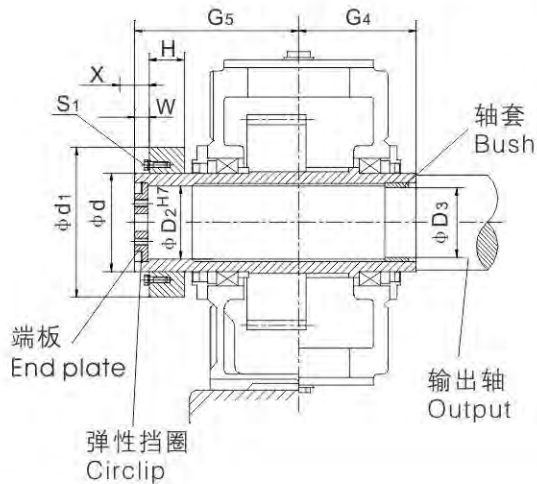
1) Shrink disk does not belong to our scope of supply. If required, please refer to JIE.

工业齿轮箱  
带胀紧盘联接的空心轴  
类型 JRHB2  
规格 4-18

Industrial Gear Units  
Hollow Shafts for Shrink Disks  
Types JRHB2  
Sizes 4-18

X=要求预留的力矩扳手空间  
X=Space required for torque wrench

用于胀紧盘联接的工作机驱动轴  
工作机驱动轴表面不得沾有有机油或润滑油  
Driven machine shaft for shrink disk connection.  
Driven machine shaft must be free of oil or grease



类型 / Type JRHB2D

齿轮箱规格 Gear units size	工作机驱动轴 Driven machine shaft															弹性挡圈 Circlip DIN 472					空心轴 Hollow shaft				胀紧盘 Shrink disk				螺钉 Screw
	d <sub>2</sub>	d <sub>3</sub>	d <sub>4</sub>	d <sub>5</sub>	f <sub>1</sub>	l	l <sub>1</sub>	r	c <sub>1</sub>	c <sub>2</sub>	D <sub>7</sub>	d <sub>8</sub>	d <sub>9</sub>	m	s	数量 Qty	D <sub>2</sub>	D <sub>3</sub>	G <sub>4</sub>	G <sub>5</sub>	类型 Type	d	d <sub>1</sub>	H	W	S <sub>1</sub>			
4	85g6	85h6	84.5	95	4	386	48	2	17	7	90	70	22	50	M8	2	90x3	85	85	170	235	110-32	110	185	51	20	M12		
5	100g6	100h6	99.5	114	5	453	53	2	20	8	105	80	26	55	M10	2	105x4	100	100	200	275	125-32	125	215	53	20	M12		
6	110g6	110h6	109.5	124	5	453	58	3	20	8	115	85	26	60	M10	2	115x4	110	110	200	275	140-32	140	230	58	20	M14		
7	120g6	120h6	119.5	134	5	533	68	3	20	8	125	90	26	65	M12	2	125x4	120	120	235	320	155-32	155	263	62	23	M14		
8	130g6	130h6	129.5	145	6	538	73	3	20	8	135	100	26	70	M12	2	135x4	130	130	235	325	165-32	165	290	68	23	M16		
9	140g6	145m6	139.5	160	6	609	82	4	23	10	150	110	33	80	M12	2	150x4	140	140	270	365	175-32	175	300	68	28	M16		
10	150g6	155m6	149.5	170	6	629	92	4	23	10	160	120	33	90	M12	2	160x4	150	155	270	385	200-32	200	340	85	28	M16		
11	165f6	170m6	164.5	185	7	744	112	4	23	10	175	130	33	90	M12	2	175x4	165	170	320	450	220-32	220	370	103	30	M20		
12	180f6	185m6	179.5	200	7	749	122	4	23	10	190	140	33	100	M16	2	190x4	180	185	320	455	240-32	240	405	107	30	M20		
14	210f6	215m6	209.5	233	8	894	147	5	28	14	220	170	33	130	M16	2	220x5	210	215	390	535	280-32	280	460	132	30	M20		
16	240f6	245m6	239.5	263	8	1039	157	5	28	14	250	190	39	150	M20	2	250x5	240	245	450	620	320-32	320	520	140	35	M24		
18	280f6	285m6	279.5	306	9	1177	177	5	30	14	290	210	39	160	M20	2	290x5	280	285	510	700	360-32	360	590	162	35	M24		

1) 胀紧盘不在杰牌供货范围之内。如有需要, 请咨询杰牌。

1) Shrink disk does not belong to our scope of supply. If required, please refer to JIE.

工业齿轮箱 冷却盘管 卧式安装

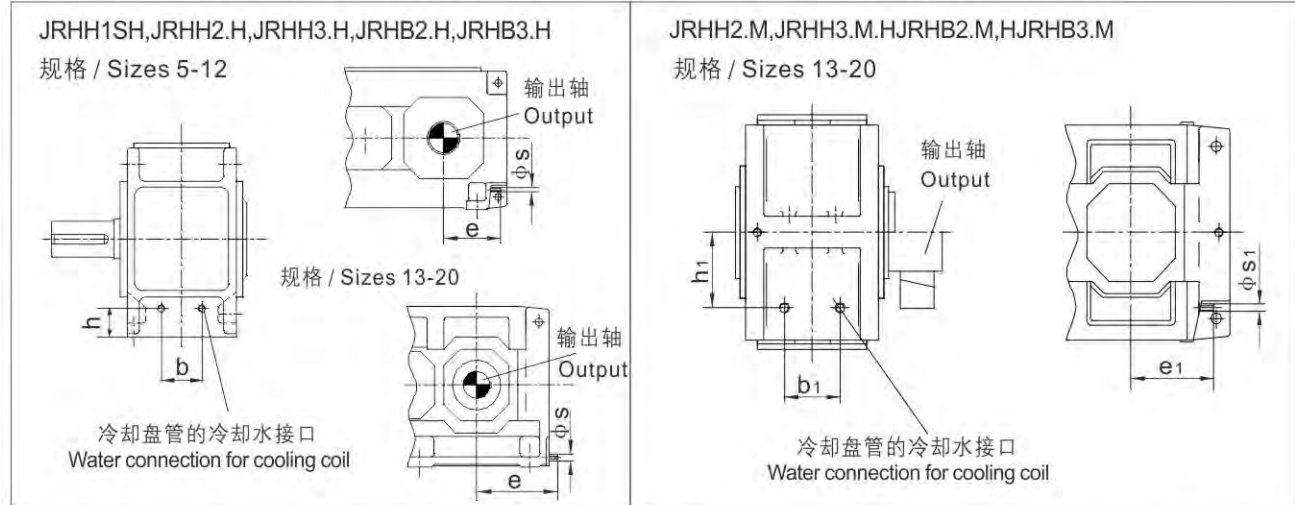
类型JRHH...H, JRHH...M, JRHB...H, JRHB...M

规格 3-22

Industrial Gear Units Cooling Coils Horizontal

Types JRHH...H, JRHH...M, JRHB...H, JRHB...M

Sizes 3-22



规格 Size	类型/Type JRHH1SH					类型/Types JRHH2.H/JRHB3.H					类型/Type JRHH3.H					类型/Type JRHB2.H					
	b mm	e mm	h mm	s	1)	b mm	e mm	h mm	s	1)	b mm	e mm	h mm	s	1)	b mm	e mm	h mm	s	1)	
3	48	205	74	G1/2	4	-	-	-	-	-	-	-	-	-	-	-	-	-	-	-	-
4	-	-	-	-	-	34	155	60	G1/2	4	-	-	-	-	-	74	160	54	G1/2	4	-
5	88	270	90	G1/2	4	68	170	64	G1/2	4	70	175	60	G1/2	4	130	175	62	G1/2	8	
6	-	-	-	-	-	70	215	68	G1/2	4	70	220	69	G1/2	4	120	220	68	G1/2	4	
7	124	310	135	G1/2	4	100	210	83	G1/2	4	80	210	83	G1/2	4	140	210	80	G1/2	8	
8	-	-	-	-	-	100	270	83	G1/2	4	80	270	83	G1/2	4	140	270	80	G1/2	4	
9	116	365	110	G1/2	8	140	245	110	G1/2	8	150	245	107	G1/2	4	232	245	110	G1/2	8	
10	-	-	-	-	-	100	295	95	G1/2	8	90	295	95	G1/2	4	150	295	90	G1/2	8	
11	146	425	130	G1/2	8	110	275	95	G1/2	8	200	275	115	G1/2	8	312	275	115	G1/2	8	
12	-	-	-	-	-	200	360	109	G1/2	8	200	360	115	G1/2	8	300	360	115	G1/2	8	
13	152	480	150	G1/2	8	252	455	116	G1/2	8	252	460	116	G1/2	8	324	460	116	G1/2	8	
14	-	-	-	-	-	252	525	116	G1/2	8	252	530	116	G1/2	8	324	530	116	G1/2	8	
15	172	560	130	G1/2	8	290	535	119	G1/2	8	290	540	119	G1/2	8	396	540	119	G1/2	8	
16	-	-	-	-	-	290	580	119	G1/2	8	290	585	119	G1/2	8	396	585	119	G1/2	8	
17	202	600	145	G1/2	8	340	575	134	G1/2	8	300	580	134	G1/2	8	468	580	134	G1/2	8	
18	-	-	-	-	-	340	635	134	G1/2	8	300	640	134	G1/2	8	468	640	134	G1/2	8	
19-22	根据用户要求供货 On request					根据用户要求供货 On request					根据用户要求供货 On request										

规格 Size	类型/Types JRHH2.M/JRHB3.M					类型/Type JRHH3.M					类型/Type JRHB2.M				
	b <sub>1</sub> mm	e <sub>1</sub> mm	h <sub>1</sub> mm	s <sub>1</sub>	1)	b <sub>1</sub> mm	e <sub>1</sub> mm	h <sub>1</sub> mm	s <sub>1</sub>	1)	b <sub>1</sub> mm	e <sub>1</sub> mm	h <sub>1</sub> mm	s <sub>1</sub>	1)
13	252	335	300	G1/2	8	252	335	300	G1/2	8	324	335	300	G1/2	8
14	252	405	300	G1/2	8	252	405	300	G1/2	8	324	405	300	G1/2	8
15	290	395	335	G1/2	8	290	395	340	G1/2	8	396	390	345	G1/2	8
16	290	440	335	G1/2	8	290	440	340	G1/2	8	396	435	345	G1/2	8
17	340	425	380	G1/2	8	300	425	380	G1/2	8	324	425	395	G1/2	8
18	340	485	380	G1/2	8	300	485	380	G1/2	8	324	485	395	G1/2	8
19-22	根据用户要求供货 On request					根据用户要求供货 On request									

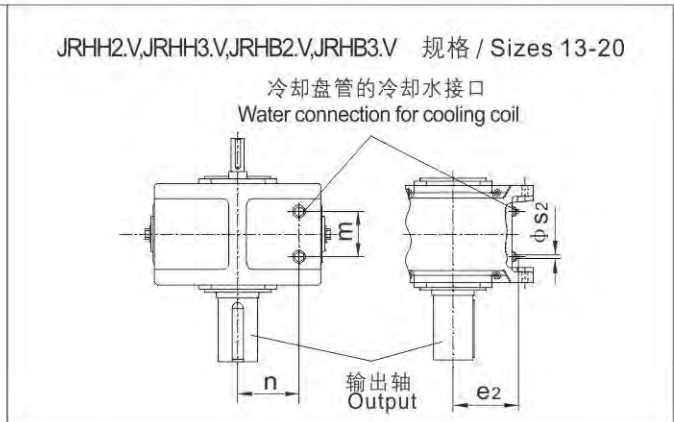
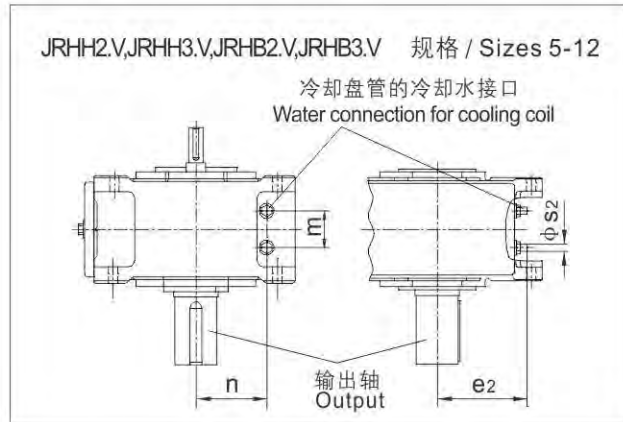
1) 冷却水需要量 (L/min)  
冷却盘管适用于淡水、海水和半咸水。

1) Required cooling water quantity (L/min)  
Cooling coil suitable for fresh, sea and brackish.



工业齿轮箱 冷却盘管 立式安装  
 类型 JRHH..V, JRHB..V  
 规格 4-20

Industrial Gear Units Cooling Coils Vertical  
 Types JRHH..V, JRHB..V  
 Sizes 4-20



规格 Size	类型 / Types JRHH2.V, JRHB3.V					类型 / Type JRHH3.V					类型 / Type JRHB2.V				
	m mm	n mm	e <sub>2</sub> mm	s <sub>2</sub>	1)	m mm	n mm	e <sub>2</sub> mm	s <sub>2</sub>	1)	m mm	n mm	e <sub>2</sub> mm	s <sub>2</sub>	1)
4	34	140	155	G1/2	4	-	-	-	-	-	74	146	160	G1/2	4
5	68	166	170	G1/2	4	70	170	175	G1/2	4	130	168	175	G1/2	8
6	70	162	215	G1/2	4	70	161	220	G1/2	4	120	162	220	G1/2	4
7	100	197	210	G1/2	4	80	197	210	G1/2	4	140	200	210	G1/2	8
8	100	197	270	G1/2	4	80	197	270	G1/2	4	140	200	270	G1/2	4
9	140	210	245	G1/2	8	150	213	245	G1/2	4	232	210	245	G1/2	8
10	100	225	295	G1/2	8	90	225	295	G1/2	4	150	230	295	G1/2	8
11	110	285	275	G1/2	8	200	265	275	G1/2	8	312	265	275	G1/2	8
12	200	271	360	G1/2	8	200	265	360	G1/2	8	300	265	360	G1/2	8
13	252	300	335	G1/2	8	252	300	335	G1/2	8	324	300	335	G1/2	8
14	252	300	405	G1/2	8	252	300	405	G1/2	8	324	300	405	G1/2	8
15	290	335	395	G1/2	8	290	340	395	G1/2	8	396	345	390	G1/2	8
16	290	335	440	G1/2	8	290	340	440	G1/2	8	396	345	435	G1/2	8
17	340	380	425	G1/2	8	300	380	425	G1/2	8	324	395	425	G1/2	8
18	340	380	485	G1/2	8	300	380	485	G1/2	8	324	395	485	G1/2	8
19-20	根据用户要求供货 On request					根据用户要求供货 On request									

冷却盘管适用于 / Cooling coil for														
类型 Type	规格 Size	浸油润滑 Dip lubrication				法兰泵强制润滑 Forced lubrication with flanged on pump				电动泵强制润滑 Forced lubrication with motor pump				
		适用布置形式 / Design				适用布置形式 / Design				适用布置形式 / Design				
		A	B	C	D	A	B	C	D	A	B	C	D	
JRHH2.V	4-12 13-18	X -	X -	X -	X -	- -	X X	- -	X X					
JRHH3.V	4-12 13-18	X -	X -	X -	X -	- -	X X	- -	X X					根据用户 要求供货 On request
JRHB2.V	4-12 13-18	X -	X -	X -	X -	X X	X X	- -	- -					
JRHB3.V	4-12 13-18	X -	X -	X -	X -	- -	- -	X X	X X					

X=可供

1) 冷却水需要量 (L/min)  
 冷却盘管适用于淡水、海水和半咸水。

X=Possible variants

1) Required cooling water quantity (L/min)  
 Cooling coil suitable for fresh, sea and brackish water.



## 八. 产品传动比 Product Ratio

平行轴齿轮箱 实际传动比  
类型 JRHH1, JRHH2, JRHH3, JRHH4  
规格 3-28

Helical gear Units Actual Ratios  
Types JRHH1, JRHH2, JRHH3, JRHH4  
Sizes 3-28

实际传动比 i / Actual Ratios i																											
in	齿轮箱规格 / Gear unit sizes																										
	3	4	5	6	7	8	9	10	11	12	13	14	15	16	17	18	19	20	21	22	23	24	25	26	27	28	
1.25	1.243		1.256		1.263		1.270																				
1.4	1.371		1.378		1.389		1.400																				
1.6	1.594		1.588		1.606		1.625		1.636		1.588																
1.8	1.829		1.839		1.774		1.800		1.806		1.839																
2	2.000		2.034		1.966		2.000		2.000		2.034		2.000		2.000		1.967										
2.2	2.194		2.259		2.308		2.231		2.222		2.259		2.231		2.250		2.296										
2.5	2.536		2.520		2.583		2.500		2.480		2.520		2.481		2.481		2.560										
2.8	2.808		2.826		2.800		2.741		2.783		2.826		2.760		2.760		2.870										
3.15	3.125		3.190		3.130		3.080		3.080		3.208		3.087		3.087		3.238										
3.55	3.500		3.591		3.524		3.551		3.478		3.591		3.476		3.476		3.450										
4	3.950		4.050		4.000		4.050		3.905		4.050		3.947		3.947		3.944										
4.5	4.473	4.487	4.619		4.400		4.381		4.421		4.619		4.579		4.526		4.400										
5	4.853	4.940	4.900		4.905		4.947		5.150		4.900		5.100		4.900		4.950										
5.6	5.492	5.444	5.556		5.526		5.684		5.474		5.556		5.778		5.556		5.700										
6.3	6.232	6.319	6.286		6.088		6.260		6.246		6.410		6.449		6.154		6.410				6.448		6.432				
7.1	7.100	6.857	7.213		7.048		7.247		6.900		7.100		7.120	7.316	7.125	7.147	7.100	7.312	7.200		7.222	7.242	7.102	7.323			
8	7.765	7.778	7.889	7.792	7.799	7.676	8.018	7.848	7.644	7.941	7.889	7.944	7.882	8.076	7.884	8.274	7.889	8.100	8.000	8.047	8.125	8.111	8.292	8.085	8.164		
9	8.516	8.485	8.652	8.940	8.660	8.887	8.904	9.085	8.974	8.772	8.799	8.800	8.758	8.941	8.755	9.155	8.799	9.000	8.923	8.941	8.961	9.125	9.244	9.440	8.949	9.295	
10	9.845	9.722	10.002	9.778	9.660	9.833	9.932	10.053	10.046	9.718	9.861	9.778	9.774	9.935	9.765	10.167	9.788	10.038	9.926	9.973	9.967	10.064	10.362	10.524	10.146	10.188	
11.2	10.900	10.694	11.075	10.724	10.648	10.920	11.138	11.163	10.889	11.410	10.811	10.906	10.967	11.087	10.951	11.340	10.887	11.167	11.040	11.094	11.147	11.193	11.693	11.797	11.594	11.550	
12.5	12.132	12.444	12.326	12.397	11.807	12.180	12.574	12.452	12.174	12.773	12.655	12.222	12.139	12.440	12.432	12.717	12.176	12.420	12.348	12.339	12.553	12.519	12.458	13.312	12.734	13.199	
14	13.588	13.865	13.806	13.726	13.939	13.426	14.152	13.964	13.704	13.844	14.164	13.399	13.708	13.769	13.915	14.438	13.712	13.891	13.905	13.801	14.254	14.098	14.244	14.183	14.657	14.497	
16	15.335	15.566	15.581	15.278	15.717	14.887	15.962	15.765	15.556	15.478	15.975	15.685	15.389	15.550	15.694	16.159	15.570	15.643	15.789	15.541	16.345	16.009	15.889	16.216	16.651	16.686	
18	17.378	17.602	17.493	17.111	17.598	17.576	18.204	17.743	17.111	17.423	17.280	17.556	17.424	17.457	17.899	18.225	18.061	17.763	18.316	17.647	17.694	18.357	17.875	18.089	17.843	18.957	
20	19.616	19.444	19.534	19.311	19.742	19.817	19.312	20.012	19.074	19.778	19.515	19.800	20.297	19.765	19.888	20.786	20.117	20.605	20.400	20.471	19.328	19.872	19.218	20.350	19.183	20.314	
22.4	21.630	22.037	22.006	21.681	20.982	22.189	21.895	22.824	21.491	21.756	22.020	21.418	21.374	23.024	20.930	22.050	21.782	22.950	22.368	22.800	23.325	21.778	22.623	22.129	23.817	21.799	
25			25.011	24.212	25.540	24.892	25.439	24.212	24.706	24.251	25.372	24.187	24.716	24.245	24.202	24.306	25.283	24.850	25.837	25.000	25.750	26.196	26.190	25.755	26.382	27.115	
28			28.490	27.275	27.711	26.456	29.187	27.451	28.602	27.325	29.373	27.292	27.304	28.036	26.736	28.106	28.006	28.844	28.523	28.877	28.509	28.919	28.979	29.817	29.314	30.035	
31.5			31.161	30.999	31.433	32.202	31.924	31.894	31.648	31.412	32.501	31.447	30.248	30.971	29.619	31.048	31.117	31.950	31.579	31.879	31.676	32.018	32.180	32.991	32.696	33.373	
35.5			34.177	35.312	34.291	34.940	35.013	36.593	35.144	36.366	36.092	36.406	35.514	34.311	34.776	34.397	34.708	35.500	35.088	35.294	35.351	35.575	35.894	36.636	36.371	37.223	
40			39.508	38.622	39.292	39.633	40.474	40.024	39.200	40.238	40.257	40.283	39.756	40.284	38.929	40.385	38.897	39.596	39.158	39.216	39.664	39.702	40.254	40.864	40.453	41.407	
45			43.745	42.360	43.221	43.236	44.816	43.897	43.210	44.683	45.147	44.733	43.090	45.096	42.194	45.208	42.642	44.375	43.936	43.765	43.904	44.546	45.699	45.828	45.245	46.654	
50			48.689	49.967	50.293	49.542	49.881	50.744	47.911	49.840	50.968	49.896	48.175	48.878	47.174	49.000	49.917	48.648	48.632	49.105	49.580	49.307	51.148	52.026	50.950	51.510	
56			54.532	54.220	56.883	54.496	55.966	56.187	56.566	54.938	57.365	55.957	54.229	54.647	53.102	54.783	55.870	56.948	54.920	54.353	55.660	55.683	57.688	58.230	57.856	58.005	
63			61.543	60.347	62.867	63.413		62.537	63.778	60.916	64.699	63.171	61.557	61.514	60.278	61.667	63.013	63.739	61.654	61.381	63.019	62.510	65.793	65.675	67.113	65.867	
71			69.742	67.589	71.139	70.651	70.787	70.041	71.414	71.919	73.789	71.100	67.713	69.826	66.306	70.000	68.162	71.888	69.806	68.908	73.410	70.776	69.795	74.903	74.750	76.406	
80			78.723	76.279	78.583	79.267	79.049	79.046	80.111	81.089	78.278	80.190	75.481	76.809	73.912	77.000	76.974	77.762	81.316	78.019	78.024	82.445	79.132	79.459	84.684	85.100	
90			86.806	86.440	89.061	89.696	89.050	88.748	85.146	90.798	88.750	91.457	85.046	85.620	83.279	85.833	88.439	87.816	86.427	90.882	85.226	87.627	85.076	90.089	91.045	96.410	
100				97.572	101.554	99.083	101.210	99.106	103.639	101.856	103.114	97.020	97.768	96.471	95.735	96.711	100.078	100.893	99.020	96.594	98.752	96.030	103.838	97.967	104.514	103.460	
112				107.590	115.256	112.294	115.290	111.645	112.450	108.257	118.306	110.000	113.186	110.901	110.833	111.176	115.862	114.174	109.386	110.670	109.401	110.906	115.375	118.215	115.712	118.985	
125					125.733	128.046	126.098	126.890	127.556	131.769	129.398	127.803	125.238	128.390	128.100	128.198	132.180	128.198	132.180	128.198	132.180	128.198	132.180	128.198	132.180	128.198	131.734
140					143.985	145.322	138.301	144.542	139.152	142.973	141.920	146.633	139.074	142.060	136.183	142.414	142.362	146.254	142.279	135.439	143.788	144.255	144.219	146.506	143.483	146.371	
160					158.251	158.533	159.874	158.093	159.444	162.178	164.058	160.380	155.125	157.756	151.900	158.148	158.792	162.413	159.273	159.017	155.848	161.485	158.107	164.188	160.991	163.350	
180					174.630	181.546	177.022	173.392	175.389	176.921	181.654	175.901	170.993	175.962	167.438	176.400	178.079	181.156	172.632	178.011	174.240	175.029	185.081	179.998	178.197	183.282	
200					193.629	199.533	197.028	200.439	204.089	202.722	202.184	203.339	189.597	193.962	185.656	194.444	201.040	203.160	193.004	192.941	196.135	195.685	207.151	210.707	201.238	202.870	
224					228.606	220.185	220.671	221.938	227.382	222.994	226.446	225.149	223.845	215.065	219.192	215.600	226.272	229.355	217.257	215.711	222.640	220.275	233.634	235.833	225.914	229.102	
250					257.753	244.141	244.043	247.020	255.111	259.484	255.560	250.594	252.385	253.914	247.139	254.545	255.201	258.141	246.617	242.817	244.904	250.042	252.726	265.984	255.785	257.195	
280					288.615	288.242		276.663	288.678	289.100	286.925	280.685	282.														

直交轴齿轮箱 实际传动比  
 类型 JRHB2, JRHB3, JRHB4  
 规格 4-28

Bevel-helical gear Units Actual Ratios  
 Types JRHB2, JRHB3, JRHB4  
 Sizes 4-28



实际传动比 i / Actual Ratios i																									
i <sub>N</sub>	齿轮箱规格 / Gear unit sizes																								
	4	5	6	7	8	9	10	11	12	13	14	15	16	17	18	19	20	21	22	23	24	25	26	27	28
5	4.936	5.006		4.865		5.002		4.897		4.967		4.963													
5.6	5.48	5.488		5.333		5.483		5.534		5.613		5.609	5.630	5.514											
6.3	6.296	6.386	6.205	6.206	6.135	6.381	6.271	6.296	6.226	6.386	6.156	6.340	6.362	6.234											
7.1	6.959	7.058	6.802	6.860	6.725	7.053	6.875	7.037	7.036	7.138	6.957	7.132	7.192	7.012	7.239										
8	7.549	7.657	7.915	7.880	7.825	8.101	8.000	7.994	8.005	8.108	7.915	8.101	8.090	7.965	8.143										
9	8.693	8.817	8.749	8.569	8.649	8.810	8.842	8.693	8.947	8.817	8.847	8.810	9.190	8.662	9.250										
10	9.872	10.108	9.490	9.823	9.935	10.099	10.157	9.965	10.164	10.108	10.049	10.099	9.993	9.930	10.059										
11.2	10.769	10.923	10.928	10.615	10.804	10.914	11.045	10.769	11.052	10.923	10.928	10.914	11.456	10.731	11.531										
12.5	12.034	12.703	12.528	12.433	12.385	12.554	12.662	12.334	12.670	12.482	12.528	12.172	12.380	12.770	12.462	12.062		12.256							
14	13.484	13.964	13.538	13.515	13.385	14.137	13.683	13.821	13.692	13.721	13.538	13.810	13.832	13.790	14.654	13.709	13.698	13.902	13.719						
16	15.601	15.835	15.826	16.275	15.773	15.952	15.693	15.522	15.888	16.354	15.552	15.215	15.665	16.226	16.014	15.192	15.640	15.436	15.538						
18	17.482	17.407	17.307	17.692	17.041	17.963	17.724	17.393	17.572	17.978	17.007	17.262	17.290	17.522	18.620	17.267	17.252	17.51	17.279						
20	19.614	19.645	19.729	19.948	20.648	20.259	19.940	19.744	19.995	20.276	20.376	19.379	19.581	19.762	20.348	19.607	19.698	19.883	19.57	20.285			20.27		20.764
22.4	21.919	21.954	21.575	22.146	22.308	22.208	22.520	21.643	22.114	22.226	22.282	21.900	21.982	22.333	22.950	22.158	22.368	22.47	22.222	22.931	22.782	22.914	23.077	23.578	23.639
25	25.38	25.421	24.349	25.446	25.152	25.843	25.400	25.185	25.103	25.864	25.131	24.916	24.842	25.409	25.936	25.048	25.278	25.4	25.113	25.794	25.753	25.775	26.087	26.522	26.843
28	27.836	27.881	27.211	28.125	27.923	28.563	27.842	27.836	27.517	28.587	27.548	27.847	28.263	28.398	29.507	28.175	28.576	28.571	28.389	29.301	28.968	29.279	29.343	30.128	30.194
31.5	30.196	30.245	31.508	30.509	32.084	30.985	32.400	31.975	32.021	32.838	32.057	31.634	31.588	32.259	32.979	32.005	32.143	32.456	31.933	31.863	32.907	31.839	33.333	32.762	34.3
35.5	34.771	34.827	34.557	35.131	35.461	35.679	35.811	34.771	35.392	35.709	35.432	34.400	35.883	35.080	37.463	34.804	36.513	35.294	36.275	34.804	35.784	36.5	36.248	37.558	37.299
40	39.487	39.551	37.486	39.896	38.468	40.902	38.846	39.861	40.654	40.936	40.700	39.435	39.021	40.215	40.738	39.899	39.706	40.461	39.446	39.899	39.216	39.444	41.554	40.588	42.759
45	43.077	43.146	43.166	43.523	44.296	44.202	44.732	43.077	44.209	44.238	44.259	42.617	44.732	43.460	46.702	43.117	45.518	43.725	45.221	43.117	44.956	44.923	44.906	46.225	46.208
50	49.06	49.139	49.021	49.568	50.304	50.341	51.280	49.060	50.681	50.383	50.737	48.536	48.341	49.496	50.469	49.106	49.190	49.798	48.869	49.106	48.583	50.501	51.143	51.965	52.626
56	55.152	55.240	53.477	55.723	54.877	56.592	55.417	55.152	54.769	56.639	54.831	54.562	55.055	55.641	57.479	55.203	56.022	55.981	55.656	55.203	55.331	55.68	57.493	57.295	59.16
63	60.808	60.906	60.904	61.438	62.499	62.396	63.114	60.808	62.376	62.448	62.446	60.158	61.892	61.348	64.616	60.865	62.978	61.722	62.567	60.865	62.201	63.45	63.39	65.29	65.228
71	69.293	69.404	68.467	70.011	70.259	71.102	70.951	69.293	70.121	71.161	70.200	68.553	68.239	69.909	71.243	69.358	69.438	70.335	68.984	69.358	68.581	68.216	72.235	70.194	74.33
80		77.598	75.489	79.267	77.465	79.497	78.228	80.949	77.313	82.118	77.400	78.131	77.761	76.506	81.184	79.977	79.127	77.639	78.61	79.208	78.15	82.094	78.551	82.334	79.766
90		86.720	86.022	88.585	88.274	88.842	89.143	89.869	88.101	90.016	88.200	85.645	88.626	83.865	88.846	87.670	91.242	87.739	86.772	90.116	88.957	93.399	93.461	93.073	93.734
100		100.413	96.178	102.572	99.945	102.869	99.667	103.259	102.921	104.750	101.780	99.664	97.150	97.593	97.391	102.020	100.017	99.821	98.061	100.718	101.207	104.387	106.331	104.692	105.96
112		110.130	107.484	112.498	111.694	112.824	111.384	114.129	114.262	115.777	111.569	110.155	113.052	107.865	113.333	112.759	116.389	111.565	111.565	114.412	113.114	118.58	118.841	118.926	119.188
125		119.466	124.455	122.035	129.330	122.389	128.971	123.804	131.287	125.592	129.831	126.535	124.952	123.904	125.263	129.526	128.641	126.733	124.69	124.416	128.494	128.949	134.999	129.325	135.393
140		137.567	136.499	140.525	141.846	140.933	141.452	142.562	145.106	144.621	143.498	137.599	143.532	134.739	143.889	140.851	147.769	137.815	141.643	142.629	139.729	147.824	146.803	148.256	147.232
160		156.225	148.071	159.585	153.871	160.047	153.443	161.897	157.408	165.791	155.663	157.741	156.082	154.462	156.471	161.470	160.690	157.989	154.029	154.136	160.183	159.75	168.292	160.217	168.784
180		170.427	170.506	174.092	177.184	174.597	176.692	176.615	181.258	179.166	179.248	170.467	178.930	166.923	179.375	174.496	184.212	170.735	176.576	175.543	173.106	181.938	181.869	182.469	182.401
200		194.098	193.631	198.272	201.215	198.847	200.656	201.145	205.841	204.050	205.487	194.143	193.365	190.107	193.846	198.732	199.073	194.448	190.821	197.34	197.148	204.528	207.129	205.126	207.734
224		218.199	211.234	222.891	219.508	223.537	218.898	226.121	224.554	229.386	222.065	218.249	220.222	213.712	220.769	223.408	226.722	218.592	217.324	217.58	221.628	225.506	232.848	226.165	233.528
250		240.578	240.572	245.752	249.995	246.464	249.300	249.313	255.742	252.913	252.907	240.634	247.566	235.631	248.182	246.322	254.874	241.641	244.309	247.94	244.359	256.972	256.73	257.722	257.48
280		274.147	270.443	280.042	281.036	280.855	280.256	284.101	287.497	288.204	284.310	274.210	272.957	268.510	273.636	280.692	281.015	274.641	269.366	273.24	278.456	283.193	292.552	284.021	293.407
315		302.121	298.181	308.618	309.861	309.513	309.000	313.091	316.984	317.612	313.470	302.191	311.045	295.909	311.818	309.334	320.226	302.666	306.952	298.462	306.869	304.465	322.405	305.354	323.347
355			339.788		353.097		352.116		361.214		357.210		342.784		343.636		352.902		338.273		336.295		350.596		346.993
400			374.460		389.127		388.046		398.073		393.660														



# 九. 布置形式 Product Layout Form

工业齿轮箱 布置形式

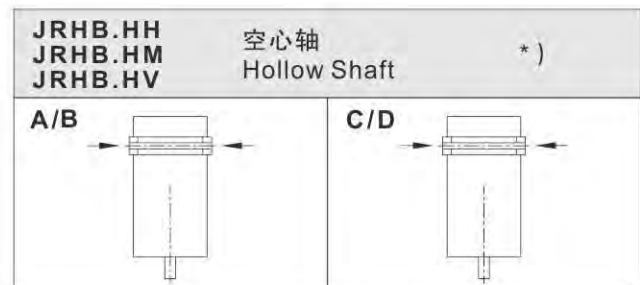
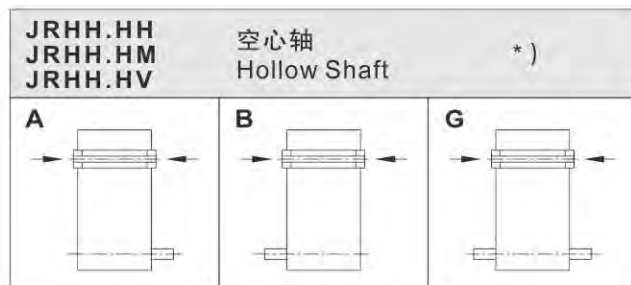
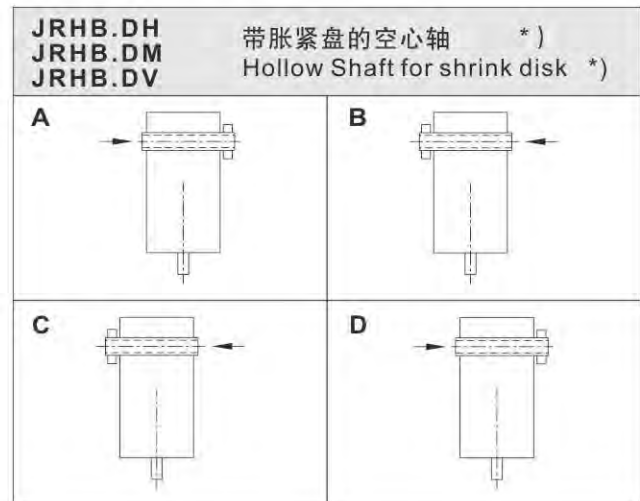
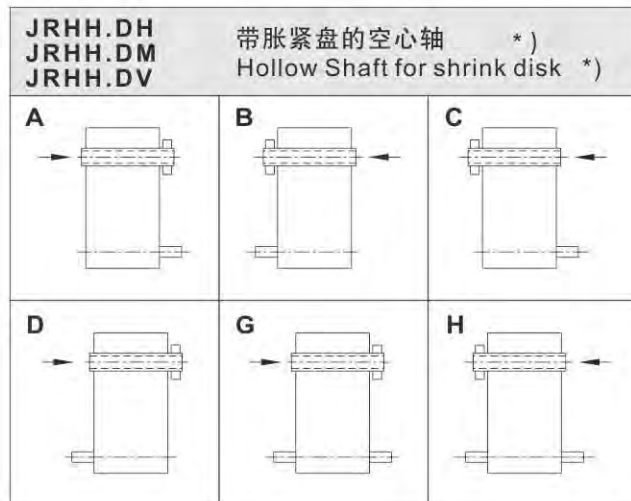
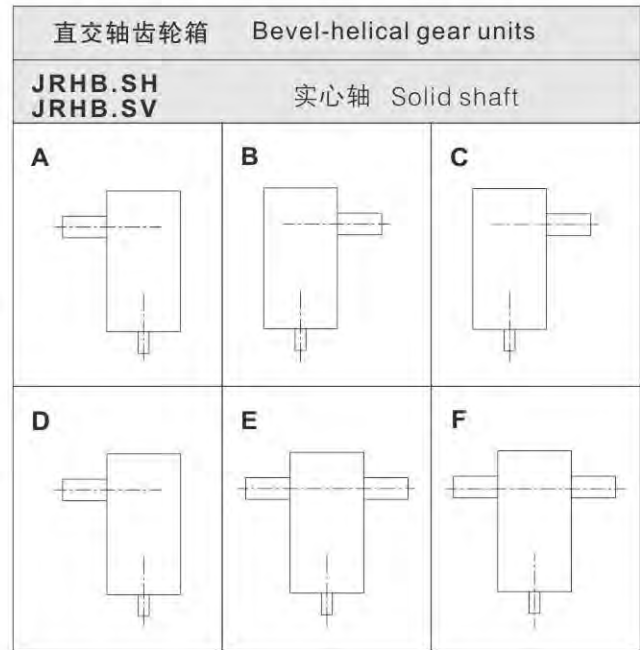
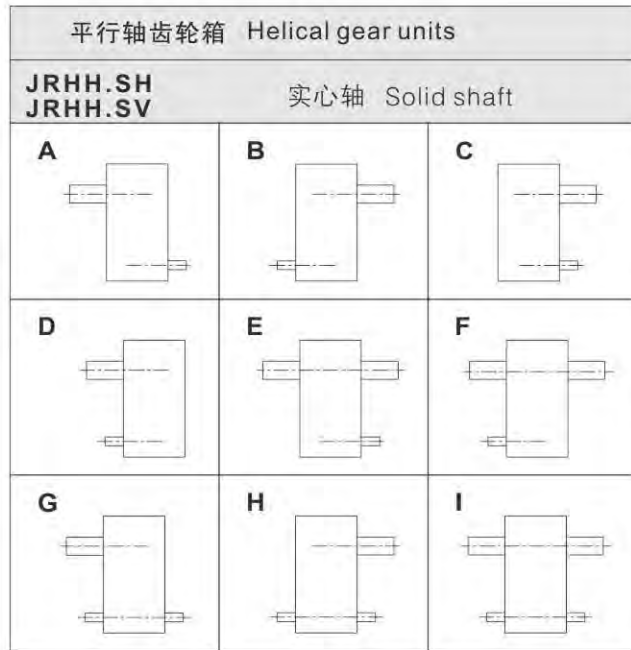
类型JRHH2...JRHH4, JRHB2...JRHB4

规格3-28

Industrial Gear Units Assemblies

Types JRHH2...JRHH4, JRHB2...JRHB4

Sizes 3-28



\* ) 箭头表示工作机驱动轴插入方向。

\* ) The arrow indicate the direction of insertion of the driven machine shaft.



## 十. 润滑方式 Lubrication

工业齿轮箱 润滑油供给方式可选方案  
类型JRHH2...JRHH4, JRHB2...JRHB4  
规格4...18 立式安装

Industrial Gear Units Oil Supply for  
Types JRHH2...JRHH4, JRHB2...JRHB4  
Sizes 4-18 Vertical

立式安装齿轮箱所用的各种润滑油供给方式列于表1。

Oil supply variants for vertical gear units can be derived from table 1.

类型 <sup>1)</sup> Types	规格 Size	浸油润滑 Dip lubrication	法兰泵强制润滑 Forced lubrication, flanged-on pump	电动泵强制润滑 Forced lubrication, motor pump
JRHH2.V	4...12 13...18	X -	X X	- -
JRHH3.V	4...12 13...18	X -	X X	X X
JRHH4.V	7...12 13...18	X -	X -	X X
JRHB2.V	4...12 13...18	X -	X X	X X
JRHB3.V	4...12 13...18	X -	X X	X X
JRHB4.V	5...12 13...18	X -	X -	X X

X=可供货

1) 采用实心轴、带储油管的齿轮箱所用的各种润滑油供给方式见116页表14。

推荐供油方式:

规格6号(含)以下各型: 浸油润滑,  
规格7号以上各型: 强制润滑

对各种润滑油供给方式的说明

浸油润滑:

当采用浸油润滑时, 所有需要润滑的零部件均需浸在润滑油液中。

附带的补偿油箱用于存储涨溢的油液。

选择依据参见第110页。

强制润滑:

当采用强制润滑时, 所有未浸在润滑油液中的零部件均通过一个法兰联接油泵或单独的电动油泵进行飞溅润滑。选择依据参见第111-114页。

X=Possible variants

1) For possible variants for gear units with solid shaft and oil retaining tube, see page 116, table 14.

**Preferred order:**

up to size6:dip lubrication from  
size7 up:forced lubrication

**Notes on the individual oil supply variants**

**Dip lubrication:**

in case of dip lubrication, all parts to be lubricated are lying in the oil. an oil compensating tank has been fitted for oil expansion. criteria for selection, see page 110

**Forced lubrication:**

In case of forced lubrication, all parts which are not lying in oil are splash lubricated by means of a flanged-on pump or by a separate motor pump. criteria for selection, see pages 111-114



## 工业齿轮箱 浸油润滑方式

类型JRHH2...JRHH4, JRHB2...JRHB4

规格 4-12 立式安装

当选用浸油润滑方式时, 必须满足下列要求:

- a) 最大输入转速 $n_{1max}$  (r/min), 参见表2;
- b) 允许油温, 参见表3。

## Industrial Gear Units Dip Lubrication for

Types JRHH2...JRHH4, JRHB2...JRHB4

Sizes 4-12 Vertical

For the design with dip lubrication the following criteria have to be observed:

- a) Maximum input speed  $n_{1max}$  (r/min), See table 2.
- b) Permissible oil temperatures, see table 3.

表2 / Table 2

规格 Size	类型 / Type											
	JRHH2.V		JRHH3.V		JRHH4.V		JRHB2.V		JRHB3.V		JRHB4.V	
	iN	$n_{1max}$	iN	$n_{1max}$	iN	$n_{1max}$	iN	$n_{1max}$	iN	$n_{1max}$	iN	$n_{1max}$
4	6.3-10 11.2-12.5 14-22.4	1200 1500 1800	-	-	-	-	5-5.6 6.3-7.1 8-9 10-11.2	750 900 1000 1200	12.5-71	1800	-	-
5	6.3-9 10-12.5 14-16 18-22.4	1000 1200 1500 1800	25-90	1800	-	-	6.3-7.1 8-9 10-11.2	750 900 1000	12.5-71	1800	80-315	1800
6	8-11.2 12.5-16 18-20 22.4-28	1000 1200 1500 1800	31.5-112	1800	-	-	9 10-11.2 12.5-14	750 900 1000	16-90	1800	100-400	1800
7	6.3-7.1 8-9 10-11.2 12.5-16 18-22.4	750 900 1000 1200 1500	25-90	1800	100-355	1800	9-10 11.2	750 900	12.5-25 28-71	1500 1800	80-315	1800
8	8-9 10-11.2 12.5-14 16-20 22.4-28	750 900 1000 1200 1500	31.5-112	1800	125-450	1800	11.2-12.5 14	750 900	16-31.5 35.5-90	1500 1800	100-400	1800
9	6.3-7.1 8-10 11.2-22.4	1200 1500 1800	25-90	1800	100-355	1800	5-5.6 6.3-7.1 8-10 11.2	900 1000 1200 1500	12.5-71	1800	80-315	1800
10	8-9 10-12.5 14-28	1200 1500 1800	31.5-112	1800	125-450	1800	6.3-7.1 8-9 10-12.5 14	900 1000 1200 1500	16-90	1800	100-400	1800
11	6.3-7.1 8-10 11.2-12.5 14-22.4	1000 1200 1500 1800	25-90	1800	100-355	1800	5.6-6.3 7.1-8 9-10 11.2	750 900 1000 1200	12.5-22.4 25-71	1500 1800	80-315	1800
12	8-9 10-12.5 14-16 18-28	1000 1200 1500 1800	31.5-112	1800	125-450	1800	7.1-8 9-10 11.2-12.5 14	750 900 1000 1200	16-28 31.5-90	1500 1800	100-400	1800

$n_1$ 和 $i_N$ 值不在表2所列范围内的齿轮箱必须采用强制润滑方式。

Gear units with  $n_1$  and  $i_N$  which are not listed in table 2 must be designed for forced lubrication

表3 / Table 3

40°C温度下的ISO-VG粘度, $mm^2/s(cSt)$ Viscosity ISO-VG at 40°C in $mm^2/s(cst)$	浸油润滑允许温度, °C / Permissible temperature in °C for dip lubrication	
	矿物油 / Mineral oil	合成油 / Synthetic oil
VG 220	-15	-25
VG 320	-12	-25
VG 460	-9	-25

若油温低于表中所示数值, 则必须对润滑油进行加热。  
当采用浸油润滑时, 油温不得低于所用润滑油的倾点。

If the temperatures are below the values as listed in the table, the oil must be heated.  
In case of dip lubrication, the oil temperature must not blow the pour point of the selected oil.

平行轴齿轮箱 强制润滑方式  
 类型JRHH2...JRHH4  
 规格 5-18 立式安装

Helical gear Units Forced Lubrication for  
 Types JRHH2...JRHH4  
 Sizes 5-18 Vertical



40°C温度下的ISO-VG 粘度, mm <sup>2</sup> /s(cSt) Viscosity ISO-VG at 40°C in mm <sup>2</sup> /s(cst)	强制润滑允许极限温度°C Permissible temperature limit in °C for forced feed lubrication			
	矿物油 / Mineral oil		合成油 / Synthetic oil	
	最低 / Min	最高 / Max	最低 / Min	最高 / Max
VG 220	10	80	0	90
VG 320	15	90	5	100
VG 460	20	95	10	105

强制润滑:  
 当采用强制润滑时, 启动时的工作粘度不得超过1800cSt。  
 最低工作粘度不得小于25cSt。  
 当油温低于表4所列的数值时, 必须提供浸油润滑方式,  
 或者对润滑油进行加热。

Forced lubrication:  
 In case of forced lubrication, the operating Viscosity 1800 cst  
 must not be exceeded during starting. A minimum operating of 25cst  
 must be sured. If the temperatures are below the values as listed  
 in table4, dip Lubrication has to be providee or the oil must Beheated.

类型 Type	n <sub>1</sub> r/min	齿轮箱规格 Gear unit size		法兰泵规格 Flanged-on pump size	齿轮箱规格 Gear unit size			法兰泵规格 Flanged-on pump size
		5, 7, 9, 11	6, 8, 10, 12		13, 15, 17	14	16, 18	
		传动比 / Ratio i <sub>N</sub>			传动比 / Ratio i <sub>N</sub>			
JRHH2.V <sup>1)</sup>	750-1800	6.3-22.4	8-28		6.3-22.4	8-28	7.1-25	
JRHH3.V <sup>1)</sup>	1201-1800	25-35.5	31.5-45		22.4-35.5	28-45	25-40	
		40-71	50-90		40-71	50-90	45-80	
		80-90	100-112	*	80-90	100-112	90-100	*
	901-1200	25-50	31.5-63		22.4-25	28-31.5	25-28	
		56-90	71-112	*	28-45	35.5-56	31.5-50	
					50-90	63-112	56-100	*
720-900	25-35.5	31.5-45		22.4-35.5	28-45	25-40		
	40-90	50-112	*	40-90	50-112	45-100	*	
JRHH4.V <sup>1)</sup>	1201-1800	100-180	125-224		100-355	125-450	112-400	*
		200-355	250-450	*				
	901-1200	100-125	125-160					
		140-355	180-450	*				
	750-900	100-355	125-450	*				

\*=所需电动泵, 参见表7 / Motor pump required see table 7

1) 布置形式B, D

1) Design B, D.

平行轴齿轮箱 强制润滑方式

类型JRHH2...JRHH4

规格 5-18 立式安装

Helical gear Units Forced Lubrication for

Types JRHH2...JRHH4

Sizes 5-18 Vertical

表6 / Table 6

 立式安装平行轴齿轮箱采用法兰泵  
Assignment of flanged-on pumps to vertical helical gear units

类型 Type	n <sub>1</sub> r/min	齿轮箱规格 Gear unit size		法兰泵规格 Flanged-on pump size	齿轮箱规格 Gear unit size			法兰泵规格 Flanged-on pump size
		5, 7, 9, 11	6, 8, 10, 12		13, 15, 17	14	16, 18	
		传动比 / Ratio i <sub>N</sub>			传动比 / Ratio i <sub>N</sub>			
JRHH2.V <sup>1)</sup>	750-1800	6.3-22.4	8-28		6.3-22.4	8-28	7.1-25	
JRHH3.V <sup>1)</sup>	1201-1800	25-40	31.5-50		22.4-50	28-63	25-56	
		45-90	56-112		56-90	71-112	63-90	
							100	*
	901-1200	25-56	31.5-71		22.4-31.5	28-40	25-35.5	
		63-90	80-112	*	35.5-56	45-71	40-63	
					63-90	80-112	71-100	*
750-900	25-45	31.5-56		22.4-25	28-31.5	25-28		
	50-90	63-112	*	28-45	35.5-56	31.5-50		
				50-90	63-112	56-100	*	
JRHH4.V <sup>1)</sup>	1201-1800	100-224	125-280		100-355	125-450	112-400	*
		250-355	315-450	*				
	901-1200	100-140	125-180					
		160-355	200-450	*				
	750-900	100-112	125-140					
		125-355	160-450	*				

\*=所需电动泵, 参见表7/Motor pump required see table 7

1) 布置形式A, C

1) Design A,C.

表7 / Table 7

 立式安装平行轴齿轮箱采用法兰泵  
Assignment of flanged-on pumps to vertical helical gear units

类型 / Type	规格 / Size	油泵 / Pump
JRHH2.V	5...18	1)
JRHH3.V		SF 2/8
JRHH4.V	7...12	
	13...18	

1) 只提供法兰泵

1) Flanged-on pump only



直交轴齿轮箱 强制润滑方式  
 类型JRHB2...JRHB4  
 规格 5-18 立式安装

Bevel-helical gear Units Forced Lubrication for  
 Types JRHB2...JRHB4  
 Sizes 5-18 Vertical



40°C温度下的ISO-VG 粘度, mm <sup>2</sup> /s(cSt) Viscosity ISO-VG at 40°C in mm <sup>2</sup> /s(cst)	强制润滑允许极限温度°C Permissible temperature limit in °C for forced feed lubrication			
	矿物油 / Mineral oil		合成油 / Synthetic oil	
	最低 / Min	最高 / Max	最低 / Min	最高 / Max
VG 220	10	80	0	90
VG 320	15	90	5	100
VG 460	20	95	10	105

强制润滑:  
 当采用强制润滑时, 启动时的工作粘度不得超过1800cSt。  
 最低工作粘度不得小于25cSt。  
 当油温低于表4所列的数值时, 必须提供浸油  
 润滑方式, 或者对润滑油进行加热。

Forced lubrication:  
 In case of forced lubrication, the operating Viscosity 1800 cst  
 must not be exceeded during starting. A minimum operating of 25cst  
 must be sured. If the temperatures are below the values as listed  
 in table 4, dip Lubrication has to be provide or the oil must Beheated.

类型 Type	n, r/min	齿轮箱规格 Gear unit size		法兰泵规格 Flanged on pump size	齿轮箱规格 Gear unit size			法兰泵规格 Flanged on pump size
		5, 7, 9, 11	6, 8, 10, 12		13, 15, 17	14	16, 18	
		传动比 / Ratio i <sub>N</sub>			传动比 / Ratio i <sub>N</sub>			
JRHB2.V <sup>1)</sup>	1201-1800	5-6.3	6.3-8		5-8	6.3-10	5.6-9	
		7.1-11.2	9-14		9-11.2	11.2-14	10-12.5	
	901-1200	5-8	6.3-10		5	6.3	5.6	
		9-11.2	11.2-14		5.6-11.2	7.1-14	6.3-12.5	
	750-900	5-6.3	6.3-8		5-10	6.3-12.5	5.6-11.2	
		7.1-10	9-12.5		11.2	14	12.5	*
		11.2	14	*				
JRHB3.V <sup>2)</sup>	1201-1800	12.5-35.5	16-45		12.5-35.5	16-45	14-40	
		40-71	50-90		40-71	50-90	45-80	
	901-1200	12.5-25	16-31.5		12.5-25	16-31.5	14-28	
		28-50	35.5-63		28-50	35.5-63	31.5-56	
		56-71	71-90	*	56-71	71-90	63-80	*
	750-900	12.5-35.5	16-45		12.5-35.5	16-45	14-40	
		40-71	50-90	*	40-71	50-90	45-80	*
	JRHB4.V <sup>1)</sup>	1201-1800	80-125	100-160		80-135	100-400	90-355
140-250			180-315					
280-315			355-400	*				
901-1200		80-180	100-224					
		200-315	250-400	*				
750-900		80-125	100-160					
		140-315	180-400	*				

\*=所需电动泵, 参见表11/Motor pump required see table 11

1) 布置形式A, B  
 2) 布置形式C, D

1) Design A, B.  
 1) Design C, D.

直交轴齿轮箱 强制润滑方式

类型JRHB2...JRHB4

规格 5-18 立式安装

Bevel-helical gear Units Forced Lubrication for

Types JRHB2...JRHB4

Sizes 5-18 Vertical

表10 / Table 10

 立式安装直交轴齿轮箱采用法兰泵  
 Assignment of flanged-on pumps to vertical bevel-helical gear units

类型 Type	$n_1$ r/min	齿轮箱规格 Gear unit size		法兰泵规格 Flanged on pump size	齿轮箱规格 Gear unit size			法兰泵规格 Flanged on pump size
		5, 7, 9, 11	6, 8, 10, 12		13, 15, 17	14	16, 18	
		传动比 / Ratio $i_N$			传动比 / Ratio $i_N$			
JRHB2.V <sup>1)</sup>	1201-1800	5-6.3	6.3-8		5-6.3	6.3-8	5.6-7.1	
		7.1-11.2	9-14		7.1-11.2	9-14	8-12.5	
	901-1200	5-8	6.3-10		5-10	6.3-12.5	5.6-11.2	
		9-11.2	11.2-14		11.2	14	12.5	*
	750-900	5-6.3	6.3-8		5-7.1	6.3-9	5.6-8	
		7.1-10	9-12.5		8-11.2	10-14	9-12.5	*
		11.2	14	*				
JRHB3.V <sup>2)</sup>	1201-1800	12.5-35.5	16-45		12.5-22.4	16-28	14-25	
		40-71	50-90		25-50	31.5-63	28-56	
					56-71	71-90	63-80	
	901-1200	12.5-25	16-31.5		12.5-35.5	16-45	14-40	
		28-50	35.5-63		40-56	50-71	45-63	
		56-71	71-90	*	63-71	80-90	71-80	*
	750-900	12.5-35.5	16-45		12.5-25	16-31.5	14-28	
		40-71	50-90	*	28-40	35.5-50	31.5-45	
					45-71	56-90	50-80	*
JRHB4.V <sup>1)</sup>	1201-1800	80-180	100-224		80-315	100-400	90-355	*
		200-315	250-400	*				
	901-1200	80-125	100-160					
		140-315	180-400	*				
	750-900	80-90	100-112					
		100-315	125-400	*				

\*=所需电动泵, 参见表11/Motor pump required see table 11

1) 布置形式C, D

1) Design C, D

2) 布置形式A, B

2) Design A, B

表11 / Table 11

 立式安装直交轴齿轮箱采用电动泵  
 Assignment of motor pumps to vertical bevel-helical gear units

类型 / Type	规格 / Size	油泵 / Pump
JRHB2.V	5...12	SF 2/5
	13...18	SF 2/8
JRHB3.V	5...18	
JRHB4.V	5...12	SF 2/13
	13...18	

工业齿轮箱 电动泵强制润滑方式

类型JRHH3, JRHH4, JRHB2, JRHB3, JRHB4

规格 5-18 立式安装

Industrial Gear Units Forced lubrication by motor pump

Types JRHH3, JRHH4, JRHB2, JRHB3, JRHB4

Sizes 5-18 Vertical

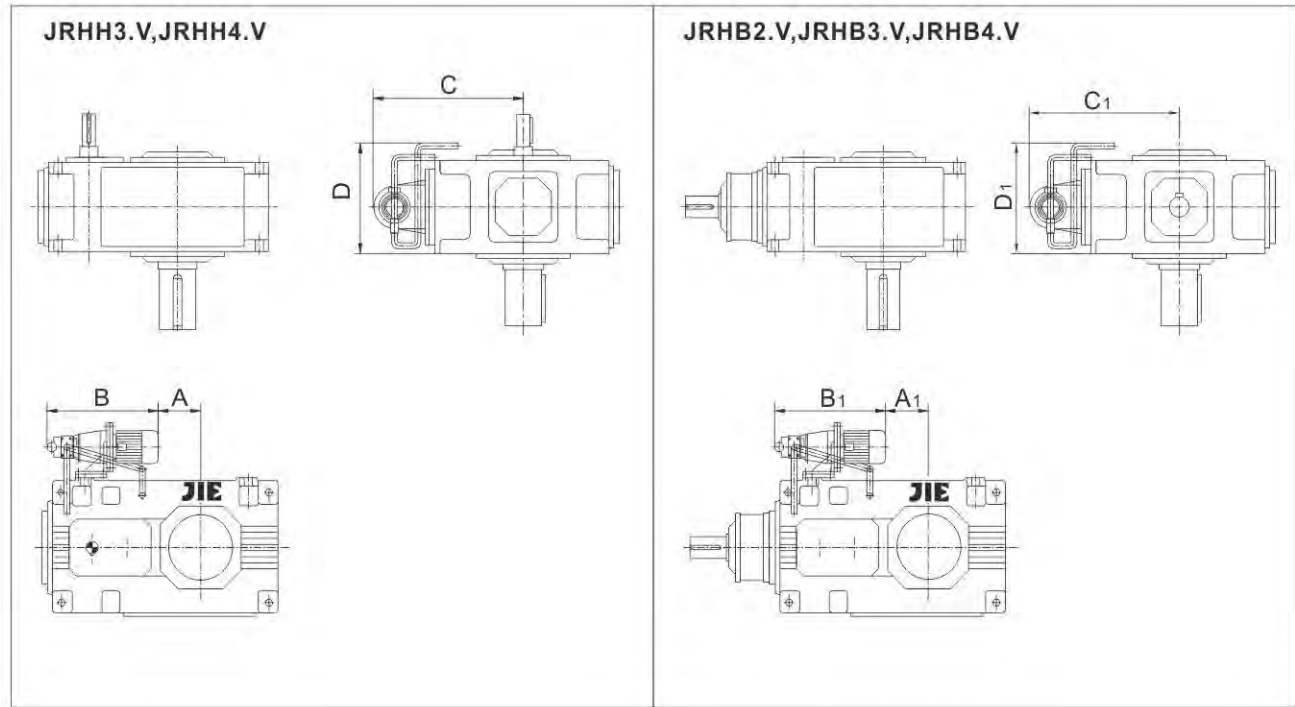


表12 / Table 12 安装尺寸 / Mounting dimensions on (mm)						表13 / Table 13 安装尺寸 / Mounting dimensions on (mm)					
类型 Type	规格 Size	A	B	C	D	类型 Type	规格 Size	A <sub>1</sub>	B <sub>1</sub>	C <sub>1</sub>	D <sub>1</sub>
JRHH3.V	5/6	-25/10	560	495	350	JRHB2.V	5/6	-160/-120	475	495	450
	7/8	55/100	595	545	425		7/8	5/50	475	545	540
	9/10	140/190	615	585	495		9/10	60/110	475	585	560
	11/12	375/445	535	645	560		11/12	150/220	475	645	645
	13/14	155/225	875	695	680		13/14	-70/0	530	690	810
	15/16	275/320	960	735	745		15/16	15/60	530	730	920
	17/18	250/310	1035	795	810		17/18	-5/55	530	790	1025
JRHH4.V	5/6	-	-	-	-	JRHB3.V	5/6	-85/-50	475	495	375
	7/8	55/100	590	545	425		7/8	-5/40	475	545	435
	9/10	140/190	630	585	495		9/10	65/115	475	585	505
	11/12	375/445	560	645	560		11/12	280/350	475	645	565
	13/14	135/205	910	695	665		13/14	90/160	530	690	680
	15/16	255/300	995	735	745		15/16	175/220	530	730	755
	17/18	230/280	1070	795	810		17/18	220/280	530	790	815
JRHH3.V	5/6	-	-	-	-	JRHB4.V	5/6	-35/0	475	495	360
	7/8	55/100	595	545	425		7/8	55/100	475	545	425
	9/10	140/190	615	585	495		9/10	140/190	475	585	495
	11/12	375/445	535	645	560		11/12	375/445	475	645	560
	13/14	135/205	910	695	665		13/14	135/205	530	695	665
	15/16	255/300	995	735	745		15/16	255/300	530	735	745
	17/18	230/280	1070	795	810		17/18	230/290	530	795	810



## 工业齿轮箱

采用实心轴、带储油管的齿轮箱的润滑油供给方式

类型JRHH2... JRHH3, JRHB2...JRHB4

规格5-18 立式安装

## Industrial Gear Units

Oil Supply for Gear Units With Solid Shaft and Oil Retaining

Types JRHH2...JRHH3, JRHB2... JRHB4

Sizes 5-18 Vertical

表14 / Table 14

可选润滑油供给方式 / Possible oil supply variants

类型 / Type	规格 / Size	布置形式 / Design	
		B	C
JRHH2SV	5-6	O <sup>1)</sup>	-
	7-12	O <sup>2)</sup>	-
	13-18	O <sup>3)</sup>	-
JRHH3SV	5-6	O	-
	7-12	O	-
	13-18	O	-
JRHB2SV	5-6	-	O
	7-12	-	O
	13-18	-	O
JRHB3SV	5-6	-	O
	7-12	-	O
	13-18	-	O
JRHB4SV	5-6	-	O
	7-12	-	O
	13-18	-	O

- =布置形式不允许

O =可选强制润滑

- 1) 对于规格5号齿轮箱, 仅适用于传动比  $i \leq 16$
- 2) 对于规格7号齿轮箱, 仅适用于传动比  $i \leq 16$   
对于规格11号齿轮箱, 仅适用于传动比  $i \leq 18$
- 3) 对于规格13号齿轮箱, 仅适用于传动比  $i \leq 18$   
对于规格17号齿轮箱, 仅适用于传动比  $i \leq 16$

- =Design impossible

O =Forced lubrication possible

- 1) For size 5 only possible up to  $i \leq 16$
- 2) For size 7 only possible up to  $i \leq 16$   
For size 11 only possible up to  $i \leq 18$
- 3) For size 13 only possible up to  $i \leq 18$   
For size 17 only possible up to  $i \leq 16$



工业齿轮箱  
润滑油选择表

Industrial Gear Units  
Selection of Oil Table

润滑油 Oil	40℃温度下 ISO-VG粘度 mm <sup>2</sup> /s标准 DIN51519 Viscosity ISO-VG At40°C in mm <sup>2</sup> /s, standard DIN 51519	润滑油选用实例 / Oil selection example					
							
合成油 Synthetic oil	VG680	TOTAL CARTER SH680	GLYGOYLE HE 680	SHELL OMALA HD680			
	VG460	TOTAL CARTER SH460	GLYGOYLE HE 460	SHELL OMALA HD460	ENERSYN SG-XP460		
	VG320	TOTAL CARTER SH320	GLYGOYLE HE320	SHELL OMALA HD320			
	VG220	TOTAL CARTER SH220	GLYGOYLE 30	SHELL OMALA HD220	ENERSYN SG-XP220		
	VG150		GLYGOYLE 22				
	VG100						
矿物油 Mineral oil	VG680	TOTAL CARTER EP680	MOBIL GEAR 636	SHELL OMALA 680	ENERGOL GR-XF680	CKD680	CKD680
	VG460	TOTAL CARTER EP460	MOBIL GEAR 634	SHELL OMALA 460	ENERGOL GR-XF460	CKD460	CKD460
	VG320	TOTAL CARTER EP320	MOBIL GEAR 632	SHELL OMALA 320	ENERGOL GR-XF320	CKD320	CKD320
	VG220	TOTAL CARTER EP220	MOBIL GEAR 630	SHELL OMALA 220	ENERGOL GR-XF220	CKD220	CKD220
	VG150		MOBIL GEAR 629				
	VG100						



# 十一. 防爆保护 Explosion Protection



防爆要求  
按照 ATEX 95

JRH工业齿轮箱可以根据用户的需要  
提供按照 94/9/EC 规范认证的改进型  
结构。这种齿轮箱可以在有爆炸危险的  
环境中使用。

应用：设备特性类型 2+3



Explosion protection  
according to ATEX 95

JRH industry gear units are certified  
according to directive 94/9/EC and may  
be used in hazardous locations.

Surface application:categories 2+3

环境说明 Description of the surroundings		设备特性对安全要求的适配 Assignment of equipment categories to safety requirements			
爆炸危险的持续时间 Explosive atmospheres occurring:	爆炸危险的起因 Explosive atmospheres caused by:	特性类型: Category:	安全要求: Safety requirements:	在下列情况下安全: Safe if taking into account	
量化数据仅用于应用选型 The quantification serves for orientation only.	气体, 雾, 蒸汽 Gases, vapours, mists	粉尘 Dust			
不断发生, 频繁发生, 每年大于1000小时 Continuously, frequently, for more than 1,000 h/yr	Zone 0	Zone 20	特性类型 1 Category 1	很高 very high	很少发生爆炸 Rarely occurring disturbances
偶尔发生, 短时发生, 每年在10和1000小时之间 Occasionally, for a short term, between 10 and 1,000 h/yr	Zone 1	Zone 21	特性类型 2 Category 2	高 high	爆炸有时发生 Normally occurring disturbances
很少发生, 短时发生, 每年少于10小时 Infrequently, for a short term, less than 10 h/yr	Zone 2	Zone 22	特性类型 3 Category 3	一般 normal	在正常运行条件下 Normal operating conditions

## 十二. 产品附件

### Product Accessories

附件表

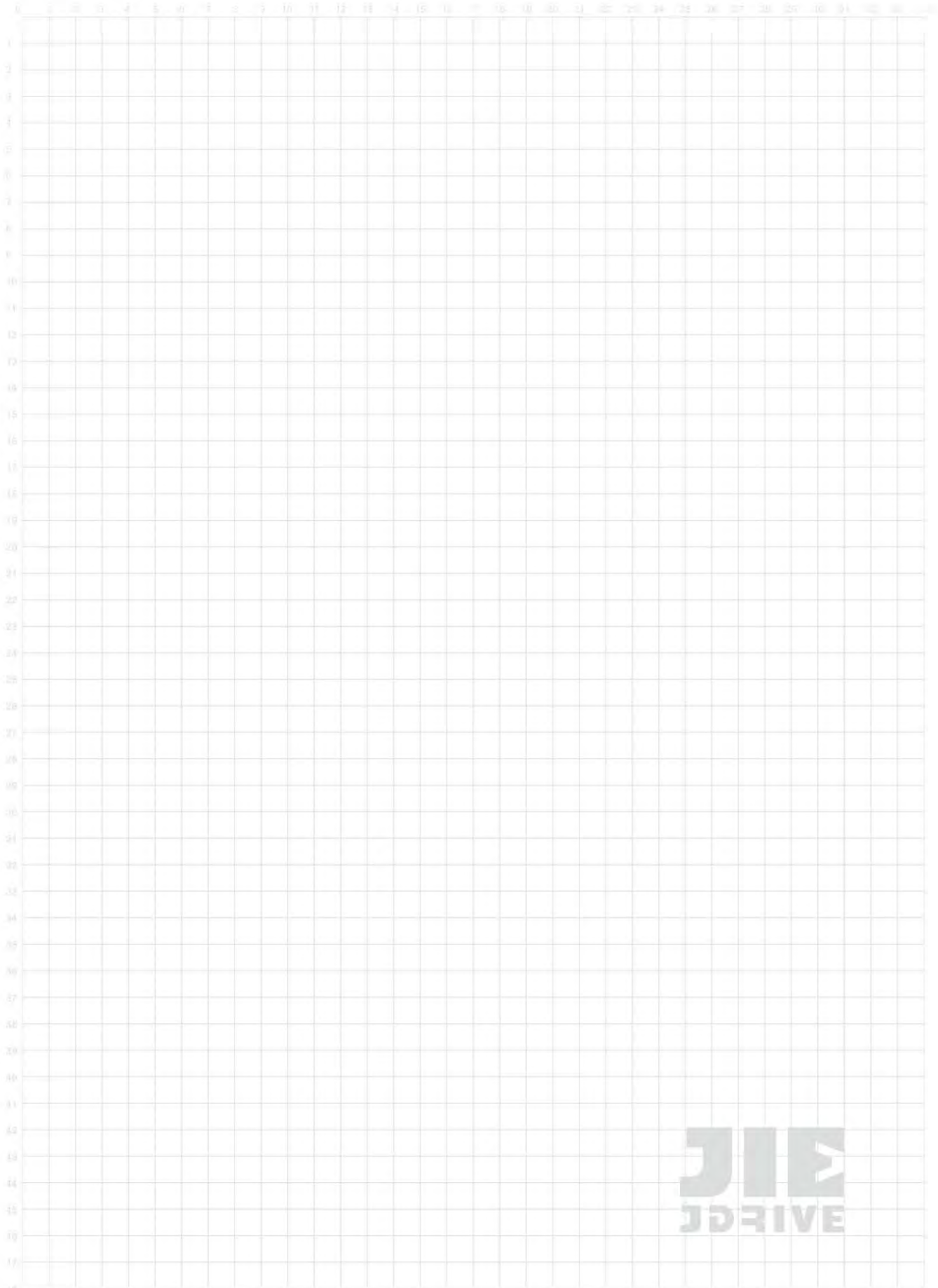
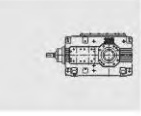
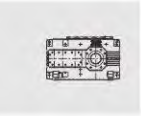
Table of Add-on Pieces

标记 Identific Cation	附件 Add-on Piece	
00	无附件 Without add-on piece	
01	冷却风扇 Fan	
02	冷却盘管 Cooling Coil	
70	法兰泵 Flanged-on pumb	请咨询杰牌 Please refer to JIE.
71	电动泵 Motor pump	请咨询杰牌 Please refer to JIE.
72	润滑油补偿油箱 Oil compensating tank	请咨询杰牌 Please refer to JIE.
73	风冷却器 Air-oil Cooler	请咨询杰牌 Please refer to JIE.
74	水冷却器 Water-oil Cooler	请咨询杰牌 Please refer to JIE.
75	逆止器 Backstop	请咨询杰牌 Please refer to JIE.
76	加热元件 Heating Elements	请咨询杰牌 Please refer to JIE.
77	油温传感器 Thermometer for Oil Temperature	请咨询杰牌 Please refer to JIE.
78	脂密封 Grease Seals	请咨询杰牌 Please refer to JIE.
79	IEC电机安装法兰 Flange for IEC Standard Motor	请咨询杰牌 Please refer to JIE.
80	扭矩臂 Torque Arm	请咨询杰牌 Please refer to JIE.
81	浮动底座 Swing-base	请咨询杰牌 Please refer to JIE.
82	联轴器 1) Coupling	请咨询杰牌 Please refer to JIE.
83	液力耦合器 Fluid Coupling	请咨询杰牌 Please refer to JIE.
84	电机支架 Motor Bracket	请咨询杰牌 Please refer to JIE.

1)不能应用刚性联轴器

1)Not for rigid couplings

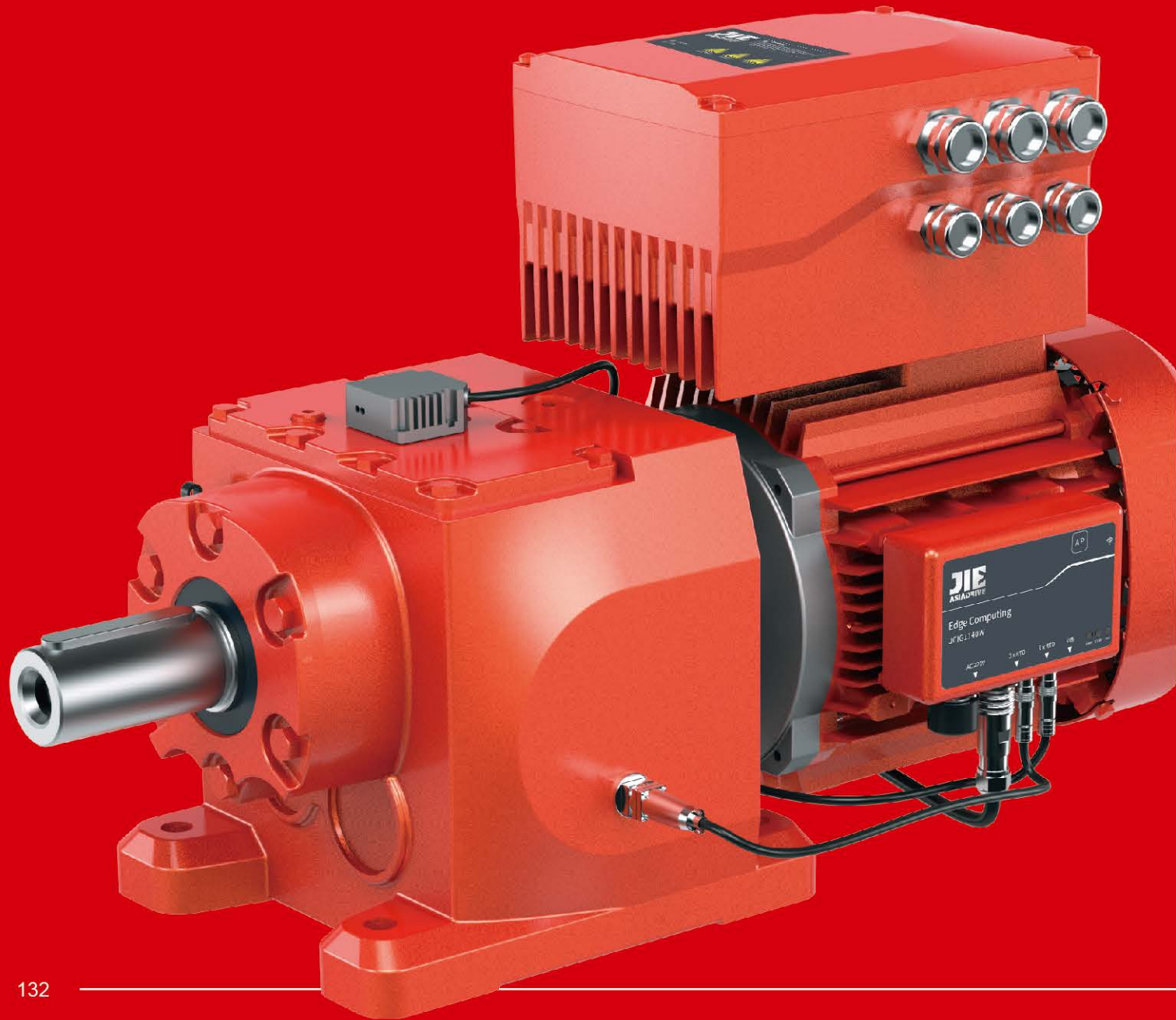






# 杰牌传动产品目录

## JIE DRIVE PRODUCT CATALOGUE





JRT 齿轮减速电机



**JRTR**  
齿轮减速电机  
规格: 17-187  
传动比: 3.37~289.74  
输入功率: 0.12~250 kW  
输出扭矩: 2.4~56494 Nm



**JRTRF**  
平行轴-齿轮减速电机  
规格: 37-167  
传动比: 3.77~281.71  
输入功率: 0.12~250kW  
输出扭矩: 3.5~37125Nm



**JRTRK**  
锥齿轮-齿轮减速电机  
规格: 37-187  
传动比: 3.98~197.37  
输入功率: 0.12~200kW  
输出扭矩: 10~62800Nm



**JRTRS**  
蜗杆副-齿轮减速电机  
规格: 37~97  
传动比: 6.8~288  
输入功率: 0.12~22kW  
输出扭矩: 10~4900Nm



**JRTRX**  
齿轮减速电机  
规格: 57~107  
传动比: 1.3~8.65  
输入功率: 0.12~45kW  
输出扭矩: 1.4~990Nm

JRH 工业齿轮箱



**JRHH**  
平行轴齿轮箱  
规格: 3~28  
传动比: 1.25~450  
输入功率: 4.3~10515kW  
输出扭矩: 2300~1400000Nm



**JRHB**  
直交轴齿轮箱  
规格: 4~28  
传动比: 5~400  
输入功率: 2.8~4908kW  
输出扭矩: 5500~1400000Nm



**JRHD**  
斗提机齿轮箱  
规格: 5~16  
传动比: 25~71  
输入功率: 16~1305kW  
输出扭矩: 11000~173000Nm



**JRHO**  
棕榈油齿轮箱  
规格: 310  
传动比: 56、80  
输入功率: 106、141kW  
输出扭矩: 75000Nm



**JRHA**  
空冷岛齿轮箱  
规格: 166  
传动比: 14  
输入功率: 228kW  
输出扭矩: 21000Nm

JRP 行星齿轮箱



**JRP**  
大型行星齿轮箱  
规格: 9~36  
传动比: 25~4000  
输入功率: 0.4~12934kW  
输出扭矩: 22000~2600000Nm



**JRP**  
小型行星齿轮箱  
规格: 01~8  
传动比: 3.08~3460  
输入功率: 0.02~192kW  
输出扭矩: 1000~13000Nm



**JRPH**  
回行星齿轮箱  
规格: 08~100  
传动比: 3.4~2000  
输入功率: 75~250kW  
输出扭矩: 8000~100000Nm



**VR**  
同心轴行星减速机  
速比: 3~100  
背隙: 1~3/3~5/5~7/3arc-min  
扭矩: 6~3300Nm



**EV**  
直角轴行星减速机  
速比: 3~100  
背隙: 4~9/6~11arc-min  
扭矩: 12~1920Nm

JRW 蜗杆减速机



**JRW**  
蜗杆减速机  
规格: 30~150  
传动比: 7.5~100  
输入功率: 0.1~25.8kW  
输出扭矩: 13~1550Nm



**JRWD**  
蜗杆减速机  
规格: 25~150  
传动比: 7.5~100  
输入功率: 0.06~15kW  
输出扭矩: 2.6~1760Nm



**JRWND**  
NEMA蜗杆减速机  
规格: 30~150  
传动比: 7.5~100  
输入功率: 0.06~15kW  
输出扭矩: 2.6~1760Nm



**WPA**  
蜗杆减速机  
规格: 40~250  
传动比: 10~60  
输入功率: 0.12~33.2kW  
输出扭矩: 19~2745Nm



**WPW**  
蜗杆减速机  
规格: 40~250  
传动比: 10~60  
输入功率: 0.12~33.2kW  
输出扭矩: 6~3025Nm

JD 电动机



**JD**  
IEC电机  
规格: 63~315  
功率: 0.12~200kW  
能效: IE2、IE3、IE4 (0.75~200kW)



**JDP**  
配减电机  
规格: 63~315  
功率: 0.12~200kW  
能效: IE2、IE3、IE4 (0.75~200kW)



**JDN**  
NEMA电机  
规格: 63~180  
功率: 0.12~22kW  
能效: IE2、IE3、IE4



**JDB**  
防爆电机  
规格: 80~315  
功率: 0.75~200kW  
防爆等级: Exib II BT4  
能效: IE2、IE3



**JDC**  
伺服电机  
规格: 30~90  
功率: 0.4~7.5kW  
额定扭矩: 1.27~48Nm

JC 智能传动方案



**JC**  
智能传动方案  
减速机+电动机+变频器  
+传感器+物联网等行业传动方案



**JCI**  
智能监测系统  
监测项目: 振动、温度、湿度、  
气压、电压、电流、地理位置等



**JCM**  
变频一体减速机  
规格: 004-0075  
功率: 0.4~7.5kW  
防护等级: IP54~IP65  
供电: 3AC 380~440V  
输出频率: 0~200Hz



**JCF**  
变频器  
规格: 0075~0550  
功率: 0.75~55kW  
输出频率: 0~200Hz  
载波频率: 8~32KHz



**JCS**  
伺服驱动器  
规格: FSA/FSB/FSC  
功率: 0.4~7.5kW  
供电: 1AC 220V/3AC 380V

其它减速机



**JRESR**  
不锈钢齿轮减速机  
规格: 37~67  
传动比: 3.41~199.81  
输入功率: 0.18~7.5kW  
输出扭矩: 26~670Nm



**JRESK**  
锥齿轮-不锈钢齿轮减速机  
规格: 37~67  
传动比: 3.98~145.14  
输入功率: 0.18~5.5kW  
输出扭矩: 12~910Nm



**JRESS**  
不锈钢蜗杆减速机  
规格: 40~90  
传动比: 7.5~100  
输入功率: 0.09~4kW  
输出扭矩: 19~458Nm



**JRSS**  
丝杆升降机  
规格: 35~150  
传动比: 5~40  
输入功率: 0.19~16.3kW  
起升力: 500~26050kg



**JRTRM**  
锥齿轮转向器  
规格: 2~25  
传动比: 1~5  
输入功率: 0.014~335kW  
输入转速: 10~1450r/min



**JRGC**  
工程分动箱  
规格: 0401、1501  
传动比: 0.589、0.659、0.756、0.825  
输出最大扭矩: 1390Nm  
行走最大扭矩: 40000Nm



**JTA**  
轴装式减速机  
规格: 80/90~100/120  
速比: 5~31.5  
功率: 11~45kW  
扭矩: 6600~10500Nm



**JEC**  
扶梯主机  
规格: 2~15、2~25  
传动比: 24.5  
效率: ≥96%  
使用寿命: 146000h  
输出扭矩: 3530~5150Nm



**JN**  
农机齿轮箱  
传动比: 0.364~2.33  
输入转速: 800r/min  
效率: ≥96%



杰牌智能传动方案提供商  
更多产品敬请咨询



## 杰牌智能传动平台产品

### Platform Products of JIE Intelligent Drive

产品标准化实现平台化, 工艺标准化实现自动化, 流程标准化实现信息化。

Standardizing the products to realize platformization, Standardizing the technologies to realize automation, Standardizing the processes to realize informatization.

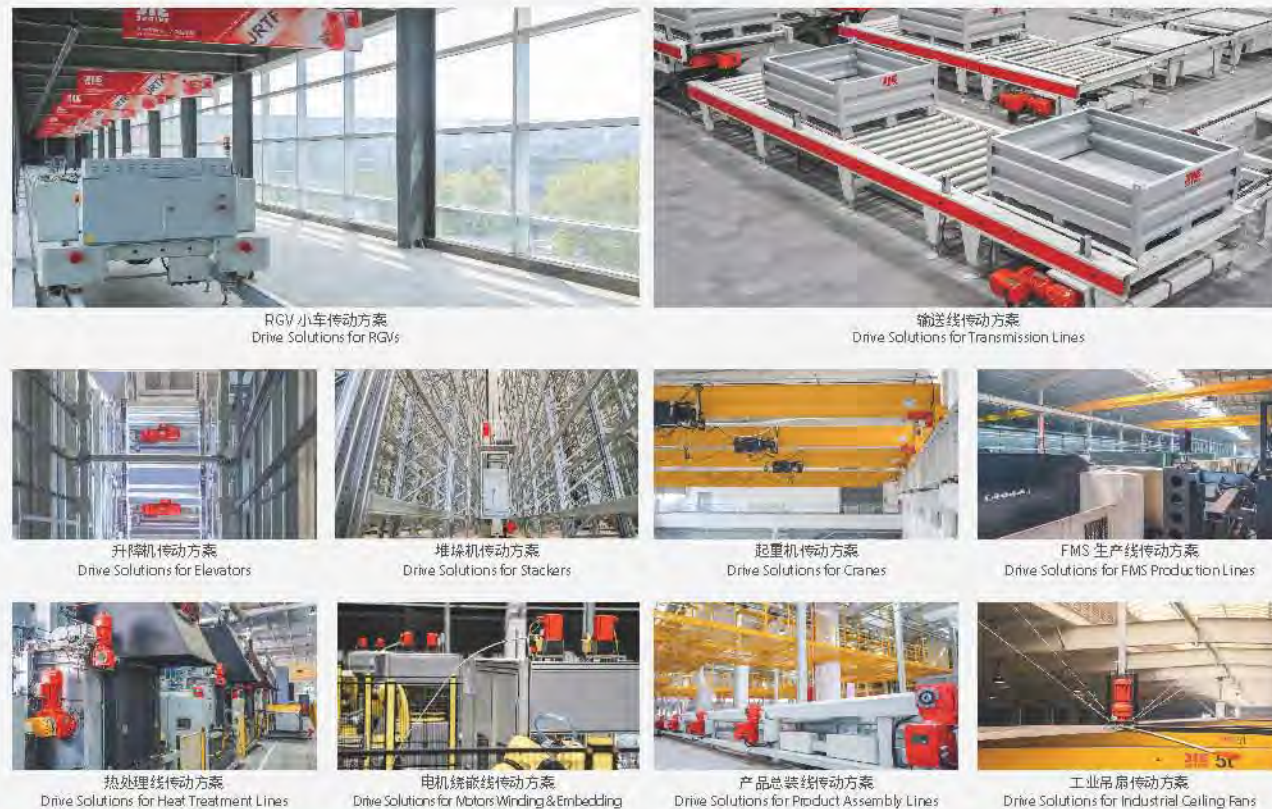


## 杰牌智能传动项目应用案例

### An application case of JIE Intelligent Drive Solutions

智能计划物流、箱体智能工厂、齿轮智能工厂、电机智能工厂、装配智能工厂、智能检测试验等项目传动方案。

Projects Drive Solutions incl. Intelligent Planning Logistics, Intelligent Plant of Gear Housings, Intelligent Plant of Gears, Intelligent Plant of Motors, Intelligent Plant of Assembly, Intelligent Tests, etc.



## 杰牌智能传动项目

### JIE Intelligent Drive Project

智能工厂+智能产品+智能服务, 推进精益生产, 建设智能工厂, 构建产业联盟, 实现合作共赢。

Intelligent Plants + Intelligent Products + Intelligent Services, to promote lean production and build intelligent plants, and to build industrial alliances and achieve win-win cooperation.

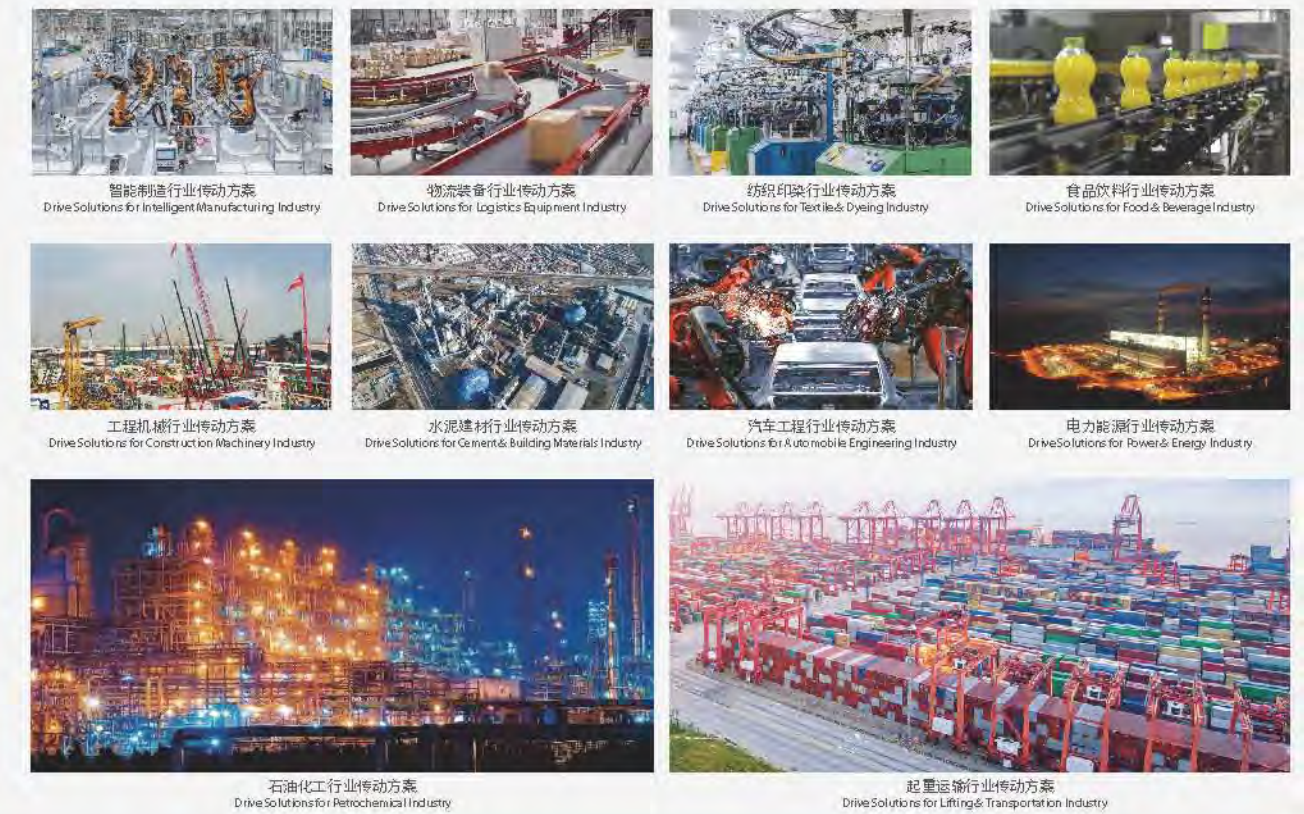


## 杰牌智能传动行业应用案例

### Industrial application cases of JIE Intelligent Drive Solutions

杰牌“新、衣、食、住、行、源、运”等行业传动方案。

JIE Industrial Drive Solutions for New Manufacturing, Clothing, Food, Residence, Traveling, Energy, Transportation, etc.





## 杰牌智能传动工业园

JIE Intelligent Drive Industrial Zone

生产区: 1号工厂、2号工厂、3号工厂、万杰工厂、5号工厂; 办公区: A座商务中心、B座创新中心、C座运营中心; 生活区: 匠心楼、群英楼、精益楼。

Production Area: No.1 Plant, No.2 Plant, No. 3 Plant, Wanjie Plant, No. 5 Plant;  
Office Area: Building A Business Center, Building B Innovation Center, Building C Operation Center;  
Living Area: Artisans Building, Elites Building, Lean Building.



## 杰牌智能传动方案提供商

JIE Intelligent Drive Solutions Provider

杰牌智能传动项目应用智能产品、建设智能工厂、生产智能产品, 为用户提供智能产品、智能服务、智能体验, 实现一台减速机的智能制造之旅和智能监测运维。

JIE Intelligent Drive Project, which applies intelligent products to build intelligent plants and produce intelligent products, to serve the customers with intelligent products, intelligent services and intelligent experience, has realized a journey of intelligent manufacturing, intelligent operation & maintenance monitoring for a reducer.



## 杰牌研产销服一体化平台

JIE Platform integrated with research, production, supply, marketing and service

全流程的生态系统、多系统的数据中台、一体化的工业大脑。

A whole-process ecosystem, A multi-system data center and an integrated industrial brain.



## 杰牌美丽工厂

JIE Beautiful Plants

打造“环境友好型、发展持续性、服务全球型”的小而美公司。

To build a small but excellent company of "Environment-friendly, Sustainable and Global service".





## 在专业化的路上走向胜利 On road to specialization strive together

陈杰词  
Lyric: Chen Jie  
钱建隆曲  
Music: Qian Jianlong

1 =  $\text{bE}$   $\frac{4}{4}$

稍快、朝气蓬勃地  
allegretto, full of youth

||: (  $\overset{2}{\underset{1}{111}}$   $\overset{3}{\underset{1}{111}}$   $\overset{3}{\underset{1}{111}}$  1 |  $\overset{3}{\underset{1}{111}}$   $\overset{3}{\underset{1}{111}}$   $\overset{3}{\underset{1}{111}}$  1 |  $\underline{5.1123456}$  |  $\underline{5} \overset{2}{\underset{1}{555}}$  1 0 ) |

$\underline{5}$  1 1 2 3 1 0 |  $\underline{5.4}$  3 2 3 1 0 |  $\underline{1.7}$   $\overset{2}{\underset{1}{7}}$   $\overset{2}{\underset{1}{6}}$   $\overset{2}{\underset{1}{6}}$  5 |  $\underline{6}$  5 3 4 5 - |

要做 就做 一流 是我永恒追求 产业联盟 我们一起走  
To be the star is my eternal pursue industrial union we walk together  
产业事业家业 共同富裕和谐 目标在前 我们一起走  
Estate career family harmonious with wealth for the goal ahead we walk together

$\underline{5}$  1 1 2 3 1 0 |  $\underline{5.4}$  3 2 3 1 0 |  $\bar{1}$   $\bar{1}$   $\bar{7}$   $\bar{6}$  |  $\underline{5.4}$   $\underline{3.4}$  2 $\vee$ 1 |

聚万物之灵 造天地之杰 产业发展 我们一起走啦  
Nimbus from all beings making it outstanding industry developing we walk together La

团结创新专业 推动联盟发展 胜利在前 我们一起走啦  
Join Innovation Expertise enhancing the union for the victory ahead we walk together La

$\bar{1}$  -  $\bar{1}$   $\bar{7}$   $\bar{1}$  | 5 - - 1 |  $\bar{6}$  -  $\bar{6}$   $\bar{6}$   $\bar{7}$   $\bar{1}$  3 - - - |

啦 啦啦啦 啦啦 啦啦啦 啦啦啦 啦  
La La La La La La La La La La

(节奏强烈、有冲击力)  
(hot, powerful)

1 - 4 5 |  $\underline{6.7}$   $\bar{1}$  6 . 5 | 6 6  $\underline{5.4}$  3 5 | 5 - - - |

在专业化的路上 我们一起努力  
On road to specialization we strive together

1 - 4 5 |  $\underline{6.7}$   $\bar{1}$  6 . 5 | 4 3 2 . 2 1 2 | 2 - - - |

在专业化的路上 我们走向胜利  
On road to specialization we go to victory

1 - 4 5 |  $\underline{6.7}$   $\bar{1}$  6 . 5 | 6 6  $\underline{5.4}$  3 6 | 6 - - - |

在专业化的路上 我们一起努力  
On road to specialization we strive together

1 - 4 5 |  $\underline{6.7}$   $\bar{1}$  6 . 5 | 4 3 2 . 2 3 1 | 1 - - - :||

在专业化的路上 我们走向胜利  
On road to specialization we go to victory

- 2 -  
4 3 2 . 2 3 1 | 1 0 0  $\bar{1}$  |  $\bar{1}$  - 0 0 | 0 0 0 0 ||

我们走向胜利 胜利  
we go to victory Victory